

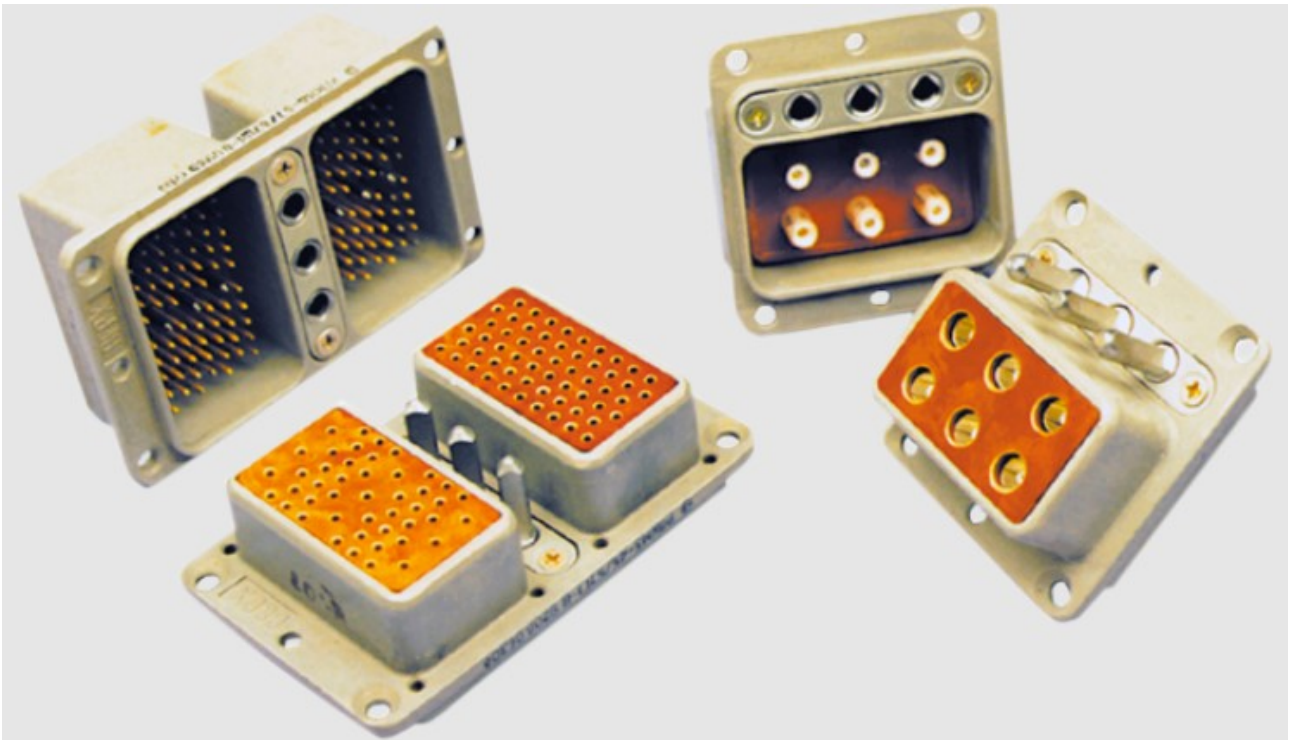


RỒNG VÀNG
TECHNOLOGY



**Rack & Panel Rectangular
Electrical Connectors
RPKM1 – RPKM4 Series
substitutes of Russian
RPKM1 – RPKM4
SNP336, SNP337**

www.rong-vang-technology.vn



Description

Rack & Panel Rectangular electrical connectors RPKM series are low frequency small size connectors designed for work in electric circuits of direct, alternate (frequency up to 3 MHz) and pulse current

These connectors consist of two parts: Rack plug (Pin contacts) and Equipment receptacle (Socket contacts)

Coupling type – plug-in

Rack & Panel Rectangular electrical connectors RPKM 1 – RPKM 2 is a single connection and RPKM 3 – RPKM 4 (upper and lower) is a dual connection, which can be used in high and low frequency AC circuits and DC circuits

Contacts:

- signal contacts (\varnothing 1 mm) and power contacts (\varnothing 1,5 mm) - non-removable, for soldering wires
- connectors supplied without RF contacts, RF contacts supplied separately

Contact material:

- RPKM 2, RPKM 4 – Gold over Copper alloy;
- RPKM 1, RPKM 3 – Silver over Copper alloy;

Connectors are supplied without backshells, backshells supplied separately

These connectors are manufactured for inner mounting for all climates in accordance with the technical conditions AVO.364.040TU



Technical features

Description	Values
Shell material/plating	Aluminum/anodizing
Contact material	copper alloy/gold, copper alloy/Silver
Operating temperature	up -60 °C to +100 °C
Vibration	5-2500 HZ; acceleration 150m/s ²
Impact	acceleration 5000 m/s ² (once), 1500 m/s ² (multiple times)
Durability	500 cycles
Technical conditions	AVO.364.040TU

Electrical

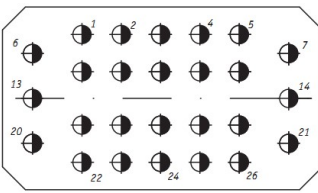
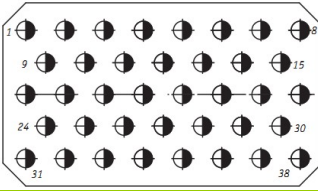
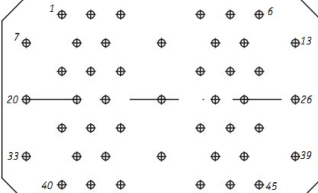
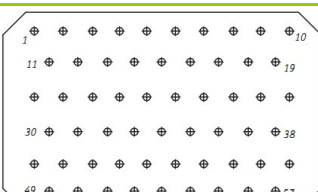
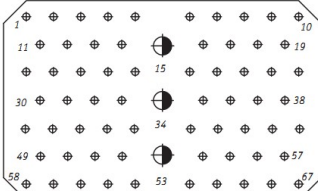
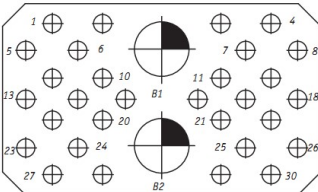
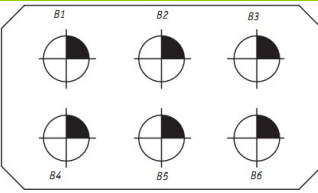
Contact layouts number	For Contact number	Operating Voltage (V)
1	1 – 5, 8 – 12, 15 – 19, 22 – 26	350
1	6, 7, 13, 14, 20, 21	800
2	1 – 38	350
3	1 – 6, 8, 9, 11, 12, 14 – 19, 21, 22, 24, 25, 27 – 32, 34, 35, 37, 38, 40 – 45	400
3	7, 10, 13, 20, 23, 26, 33, 36, 39	1000
4	1 – 57	400
5	1 – 10, 58 – 67	100
5	11 – 57	350
6	1 – 4, 6, 7, 9 – 12, 14 – 17, 19 – 22, 24, 25, 27 – 30	400
6	5, 8, 13, 18, 23, 26	1000
6	B1, B2	100
7	B1 – B6	100

Current rating per contact	
Ø 1.0	Ø 1.5
4 A Max	8 A Max
Contact resistance	
Ø 1.0	Ø 1.5
≤ 5 mΩ	≤ 2.5 mΩ
insulation resistance	
at 100 V	at 1000 V
≤ 1000 MΩ	≥ 5000 MΩ

Ordering information

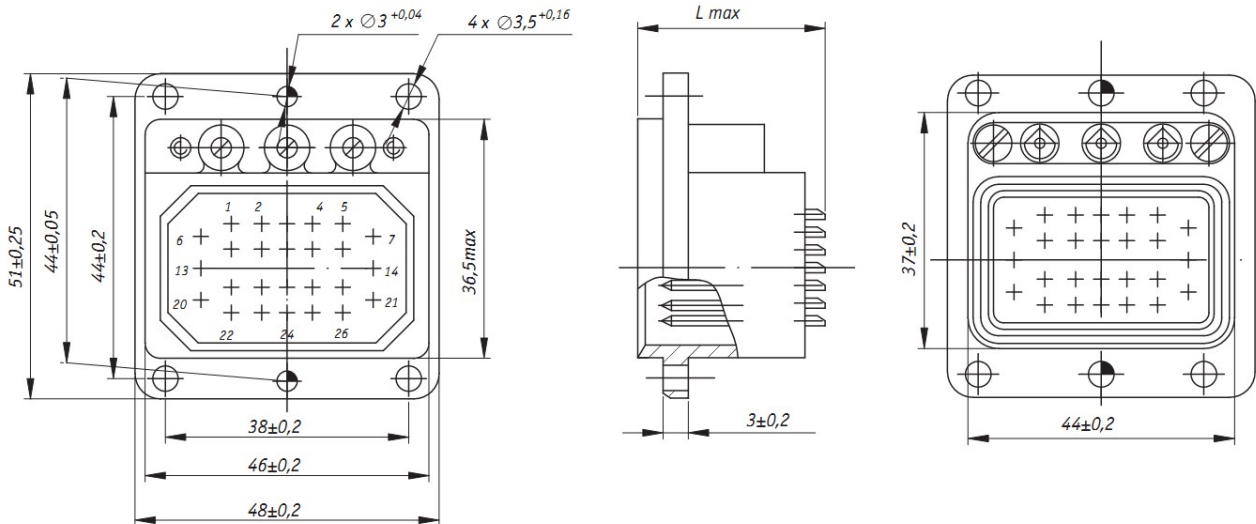
Basic series	RPKM	3	-67	/32	JT
Cavity structure & Contact plating:					
1: Single cavity, Silver plating contacts					
2: Single cavity, Gold plating contacts					
3: Double cavity, Silver plating contacts					
4: Double cavity, Gold plating contacts					
Contact layouts of the upper cavity					
Contact layouts of the bottom cavity, omit for Single cavity					
Connector Types:					
JT: Rack plug with pin contacts only					
KZ: Equipment receptacle with socket contacts only					

Contact layouts

Contact layouts	Contact layouts number	Contact types	Number of contacts
	1	Ø 1.5	26
	2	Ø 1.5	38
	3	Ø 1.0	45
	4	Ø 1.0	57
	5	Ø 1.0	64
		Ø 1.5	3
	6	Ø 1.0	30
		RF	2
	7	RF	6

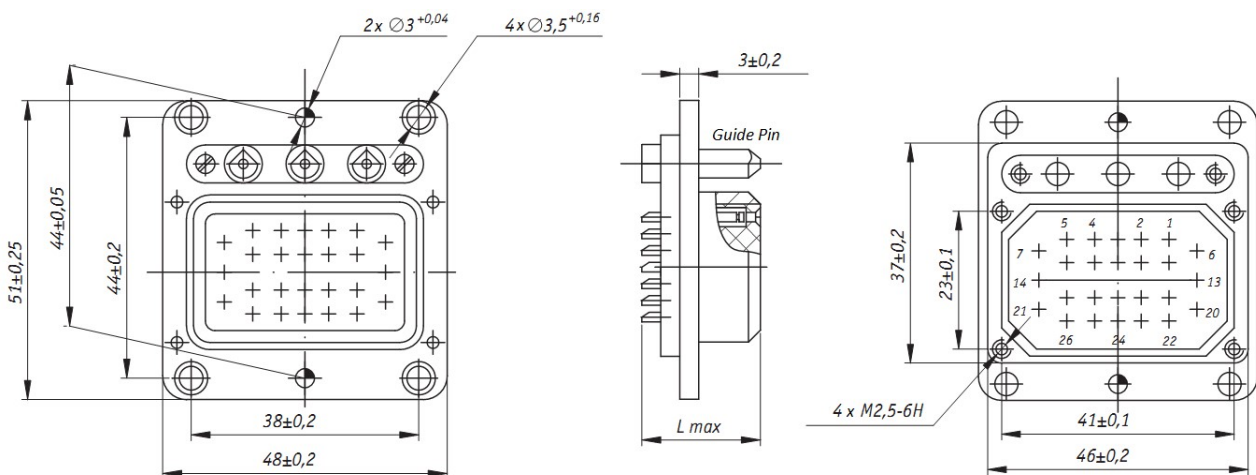
Dimensions

Rack plug, Single cavity



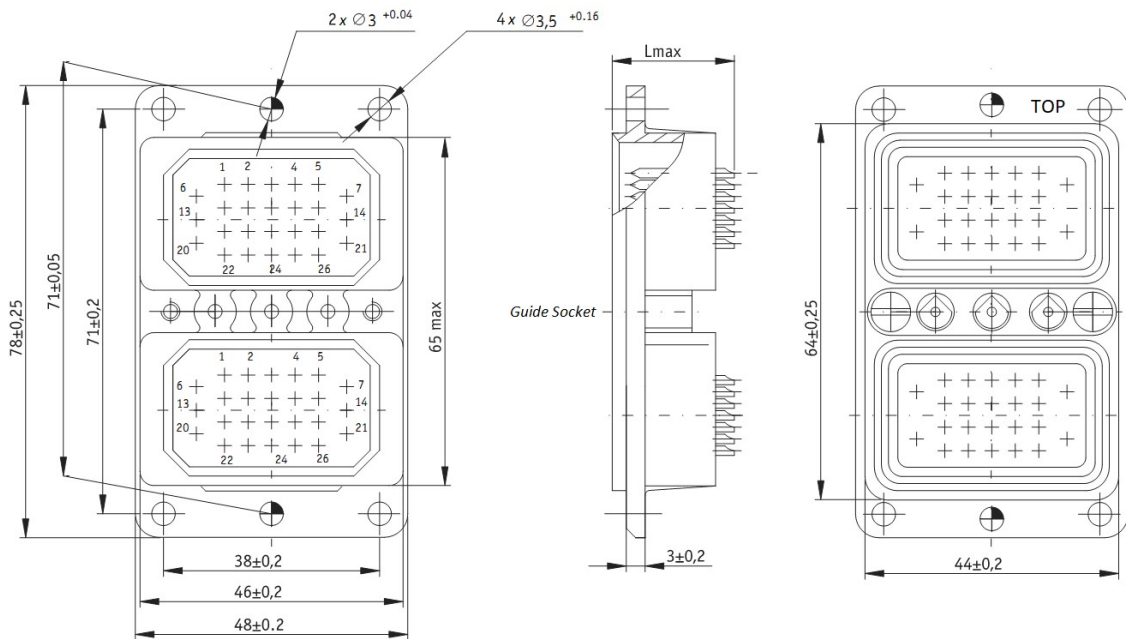
Contact layouts number	L, Max
1, 2, 3, 4, 5	28
6, 7	38

Equipment receptacle, Single cavity



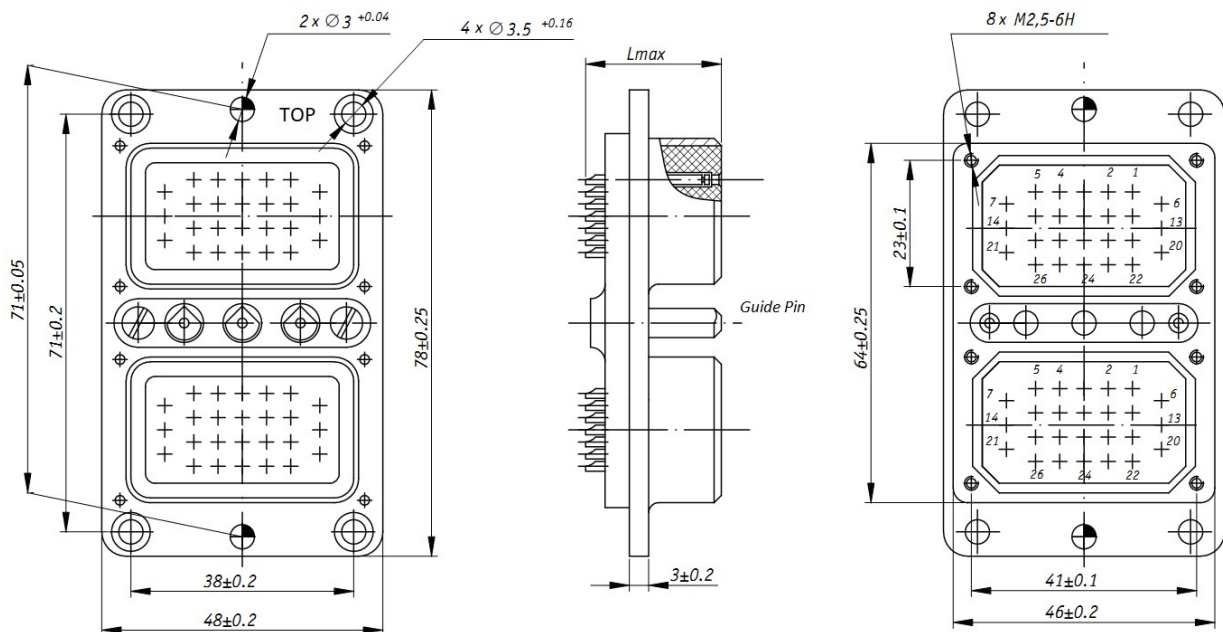
Contact layouts number	L, Max
1, 2, 3, 4, 5	25
6, 7	35

Rack plug, Double cavity



Contact layouts number	L, Max
1, 2, 3, 4, 5	28
6, 7	38

Equipment receptacle, Double cavity



Contact layouts number	L, Max
1, 2, 3, 4, 5	25
6, 7	35

Backshells. Ordering information

Description	Part numbers	L (mm)
Backshell 1 type	RPKM-WF01	86
Backshell 1 type	RPKM-WF02	146
Backshell 2 type	RPKM-WF03	86
Backshell 2 type	RPKM-WF04	146
Backshell 3 type	RPKM-WF05	86
Backshell 3 type	RPKM-WF06	146
Backshell 4 type	RPKM-WF07	86
Backshell 4 type	RPKM-WF08	146
Backshell 5 type	RPKM-WF09	86
Backshell 5 type	RPKM-WF10	146

Need to consult

CÔNG TY TNHH RỒNG VÀNG TECHNOLOGY

**Địa chỉ: 48/5 Vĩnh Xuân, Phường Vĩnh thái,
Thành Phố Nha Trang, Tỉnh Khánh Hòa**

SĐT: +84 79.219.2707

www.rong-vang-technology.vn

www.rong-vang-technology.vn