

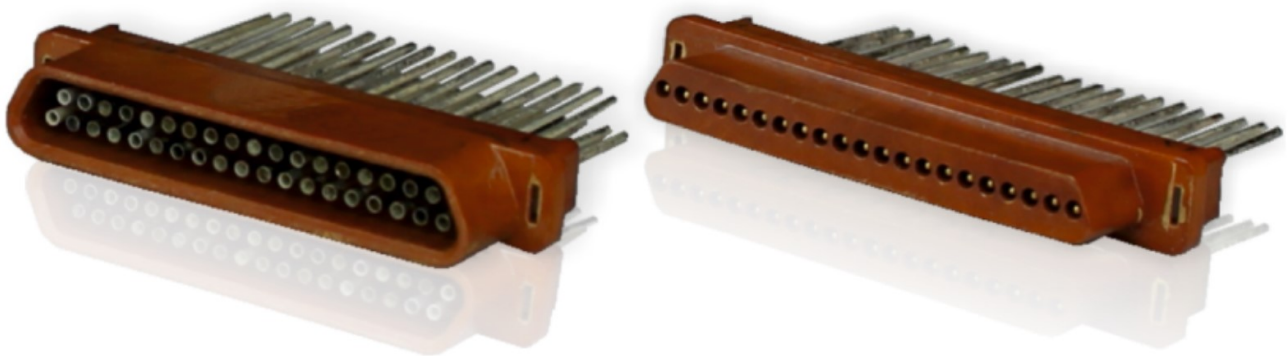


RỒNG VÀNG  
TECHNOLOGY



**High-Density  
Rectangular Connectors  
CFC1 Series  
substitutes of Russian  
RPS1-M**

[www.rong-vang-technology.vn](http://www.rong-vang-technology.vn)



## Description

This series of electrical connectors adopts a 1.30 mm grid spacing, which complies with the specification Q/3E20032-2006 (equivalent to Russian specifications TsSNK.430421.010TU). The technical requirements include small size, high contact density, and the ability to perform point-to-point soldering with flat cables at the end of the contact, as well as immersion welding of printed circuit boards. It is applied in AC, DC circuits, and pulse circuits and has the function of preventing incorrect insertion. The contacts of this series of products adopts stranded elastic needle (Twists needle), which has reliable contact, soft insertion and extraction, and can be used with Russian RPS1-M interchange and docking of series products. This series of electrical connectors is widely used for electrical connections in aviation, aerospace vehicles, and electronic and electrical equipment.



## Technical features

Description	Values
Contact material	copper alloy/gold plated or silver plated
Operating temperature	up -60°C to +85°C
Vibration	at 1-2500 HZ 392 m/s <sup>2</sup>
Impact	14700 m/s <sup>2</sup> (Single shot), 1470 m/s <sup>2</sup> (multiple times)
Relative humidity	98% at 35 °C (without condensation)
Max current rating per contact	1 A
Max working current of a single contact	up to 2 A
Working voltage	150 V
Dielectric withstanding voltage	600 V, 1 min
Contact resistance	≤ 0.01 Ω
Insulation resistance	normal conditions ≥ 1000 MΩ, wet ≥ 20 MΩ
Durability	≥ 90 000 h/250 times
Technical specification	Q/3E20030-2006

## Ordering information

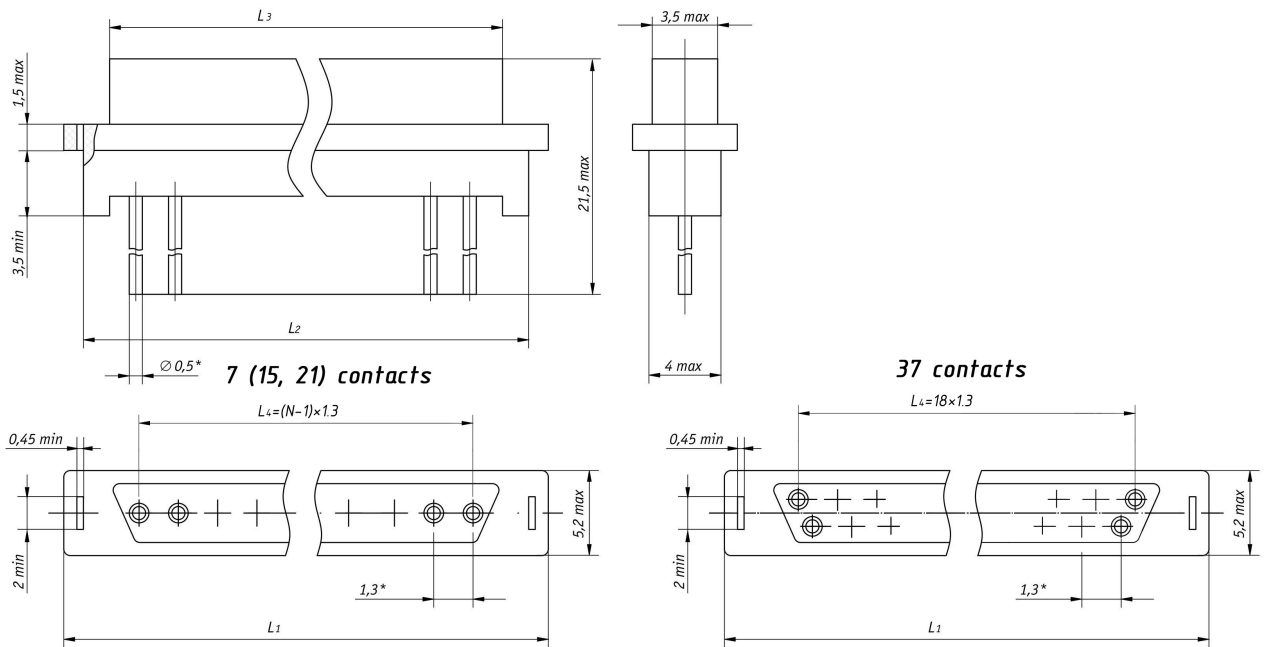
Basic series	CFC1	-21	T	J
Number of contacts: 7, 15, 21, 37				
Contact Type:				
T: Male for Plug, only				
Z: Female for Receptacle, only				
Contact plating:				
Y: Silver				
J: Gold				

## Contact layouts

Contact layouts	Number of contacts
	7
	15
	21
	37

# Dimensions

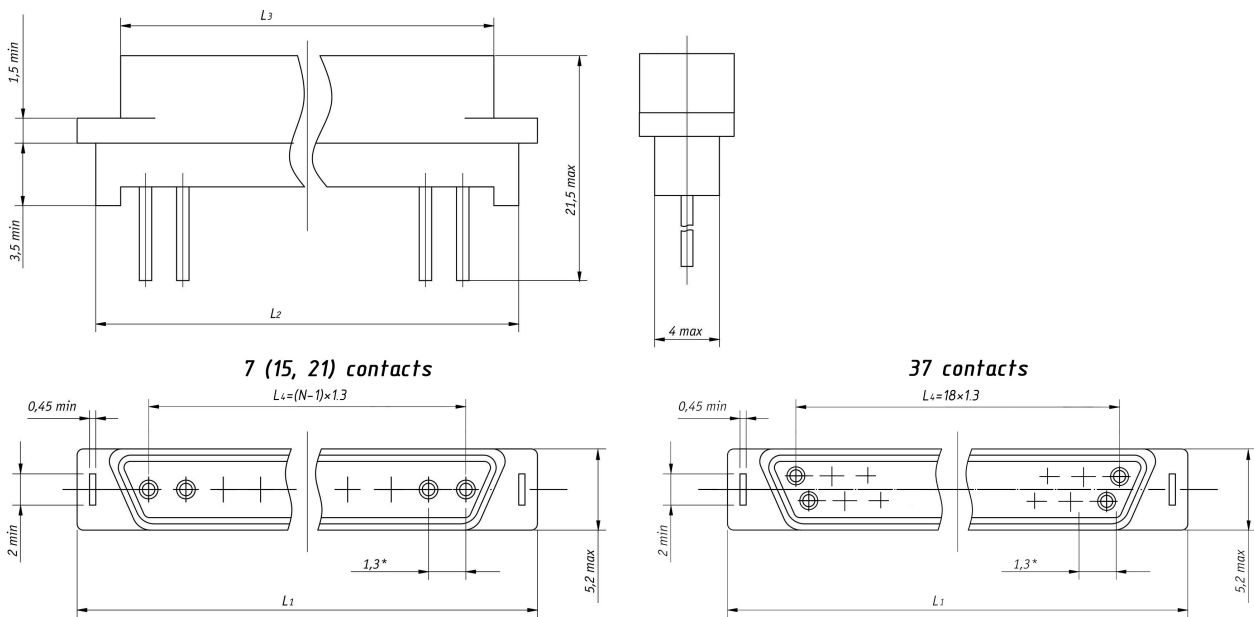
## Plugs



Number of contacts	L <sub>1</sub> Max	L <sub>2</sub> Max	L <sub>3</sub> Max	L <sub>4</sub> Max
7	13.0	13.5	10.5	7.8
15	26.5	24.0	21.8	18.2
21	34.0	31.5	28.5	26
37	31.5	29.0	26	23.4

\* – consultation needed

## Receptacles



Number of contacts	L <sub>1</sub> Max	L <sub>2</sub> Max	L <sub>3</sub> Max	L <sub>4</sub> Max
7	13.0	13.5	12.2	7.8
15	26.5	24.0	22.7	18.2
21	34.0	31.5	30.2	26
37	31.5	29.0	27.8	23.4

\* – consultation needed



**CÔNG TY TNHH RỒNG VÀNG TECHNOLOGY**

**Địa chỉ: 48/5 Vĩnh Xuân, Phường Vĩnh thái,  
Thành Phố Nha Trang, Tỉnh Khánh Hòa**

**SĐT: +84 79.219.2707**

**[www.rong-vang-technology.vn](http://www.rong-vang-technology.vn)**

**[www.rong-vang-technology.vn](http://www.rong-vang-technology.vn)**