



RỒNG VÀNG
TECHNOLOGY



Circular Connector Backshells and Accessories

www.rong-vang-technology.vn











Contents

| | |
|---|-----|
| Features | 3 |
| Backshells for MIL-DTL-38999 series 1 & 2, MIL-DTL-26482 series 1 | 10 |
| Backshells for MIL-DTL-38999 series 3 & 4 | 31 |
| Backshells for MIL-DTL-5015 (crimp, MS34), MIL-DTL-26482 series 2, MIL-DTL-83723 series 3 | 75 |
| Termination Accessories | 96 |
| Protective Caps, Dummy Stowage Receptacles | 101 |

Product Finder

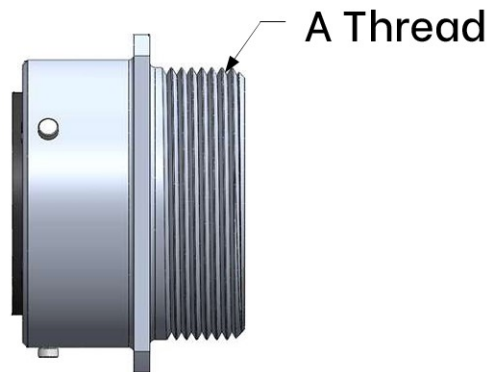
| Series Code | Model | Description |
|-------------|---|---|
| Series BS |  | EMI/RFI banding and shrink Boot Adapters |
| Series MR |  | EMI/RFI memory ring shrink boot adapters |
| Series SA |  | shrink boot adapters |
| Series SS |  | EMI/RFI shield sock shrink boot adapters |
| Series SB |  | straight strain reliefs |
| Series AB |  | 90° strain reliefs |
| Series LB |  | EMI/RFI lamp base thread shrink boot adapters |
| Series QT |  | Qwik-Ty strain reliefs |
| Series BN |  | back nuts |
| Series CR |  | crimp ring backshells |

Product Finder

| Series Code | Model | Description |
|----------------|---|---|
| Series CCB-01 |  | Submersible backshells with strain relief, environmental, non screened |
| Series CCB-02 |  | Submersible backshells with strain relief, non environmental, non screened |
| Series CCB-03 |  | EMI/RFI Submersible backshells with strain relief, environmental |
| Series CCB-04 |  | EMI/RFI Submersible backshells with strain relief, non environmental |
| Series CCB-06 |  | EMI/RFI Submersible backshells with strain relief & cone clamp, non environmental |
| Series UPB-01 |  | Ultra low profile 90° banding and shrink boot split adapters |
| Series BCB -01 |  | EMI/RFI Band-in-a-can with strain-relief, environmental |
| Series BCB-02 |  | EMI/RFI Band-in-a-can with strain-relief, non environmental |

| Connector Interface Data | | | | | |
|--------------------------|----------------|----------|---------|---------|--|
| Code | POLAMCO | AMPHENOL | GLENAIR | RAYCHEM | Backshells Designed to be Used In Connector Series |
| A | A | J | A | 54 | MIL-DTL-5015 (crimp, MS34), MIL-DTL-26482 series II, MIL-DTL-83723 series III (bayonet & threaded) |
| F | F | K | F | 41 | MIL-DTL-38999 series I, II |
| T | D & DG | — | D | 21 | MIL-DTL-26482 series I |
| H | H | L | H | 40 | MIL-DTL-38999 series III, IV |
| B | L, LS, LM & LV | J | B | 18 | MIL-DTL-5015 (solder cup, MS31) |

Coupling Interface



| Shell Size MIL-DTL-38999 (series 3, 4) | A Thread | Shell Size MIL-DTL-38999 (series 1) | A Thread |
|---|----------------|--|----------------|
| 09 | M12 x 1-6g | 09 | .4375-28 UNEF |
| 11 | M15 x 1-6g | 11 | .5625-24 UNEF |
| 13 | M18 x 1-6g | 13 | .6875-24 UNEF |
| 15 | M22 x 1-6g | 15 | .8125-20 UNEF |
| 17 | M25 x 1-6g | 17 | .9375-20 UNEF |
| 19 | M28 x 1-6g | 19 | 1.0625-18 UNEF |
| 21 | M31 x 1-6g | 21 | 1.1875-18 UNEF |
| 23 | M34 x 1-6g | 23 | 1.3125-18 UNEF |
| 25 | M37 x 1-6g | 25 | 1.4375-18 UNEF |
| Shell Size MIL-DTL-38999 (series 2); MIL-DTL-26482 (series 1) | A Thread | Shell Size MIL-DTL-83723 (series 3); EN2997; MIL-DTL-26482 (series 2); MIL-DTL-5015 (series MS34) | A Thread |
| 08 | .4375-28 UNEF | 08 | .5000-20 UNF |
| 10 | .5625-24 UNEF | 10 | .6250-24 UNEF |
| 12 | .6875-24 UNEF | 12 | .7500-20 UNEF |
| 14 | .8125-20 UNEF | 14 | .8750-20 UNEF |
| 16 | .9375-20 UNEF | 16 | 1.0000-20 UNEF |
| 18 | 1.0625-18 UNEF | 18 | 1.0625-18 UNEF |
| 20 | 1.1875-18 UNEF | 20 | 1.1875-18 UNEF |
| 22 | 1.3125-18 UNEF | 22 | 1.3125-18 UNEF |
| 24 | 1.4375-18 UNEF | 24 | 1.4375-18 UNEF |



Coupling Interface & Cable Entry

| H – Interface | | |
|----------------------|------------|-----------------|
| Shell Size | A – Thread | Cable Entry Max |
| 09 | M12 x 1.0 | 05 |
| 11 | M15 x 1.0 | 07 |
| 13 | M18 x 1.0 | 09 |
| 15 | M22 x 1.0 | 11 |
| 17 | M25 x 1.0 | 13 |
| 19 | M28 x 1.0 | 14 |
| 21 | M31 x 1.0 | 16 |
| 23 | M34 x 1.0 | 18 |
| 25 | M37 x 1.0 | 20 |

| F, T – Interface | | |
|-------------------------|------------------|-----------------|
| Shell Size | A – Thread | Cable Entry Max |
| 09/08 | 7/16 - 28 UNEF | 04 |
| 11/10 | 9/16 - 24 UNEF | 06 |
| 13/12 | 11/16 - 24 UNEF | 08 |
| 15/14 | 13/16 - 20 UNEF | 10 |
| 17/16 | 15/16 - 20 UNEF | 12 |
| 19/18 | 1-1/16 - 18 UNEF | 14 |
| 21/20 | 1-3/16 - 18 UNEF | 16 |
| 23/22 | 1-5/16 - 18 UNEF | 18 |
| 25/24 | 1-7/16 - 18 UNEF | 20 |

| A – Interface | | |
|----------------------|------------------|-----------------|
| Shell Size | A – Thread | Cable Entry Max |
| 08 | 1/2 - 20 UNEF | 04 |
| 10 | 5/8 - 24 UNEF | 06 |
| 12 | 3/4 - 20 UNEF | 08 |
| 14 | 7/8 - 20 UNEF | 09 |
| 16 | 1 - 20 UNEF | 11 |
| 18 | 1-1/16 - 18 UNEF | 12 |
| 20 | 1-3/16 - 18 UNEF | 14 |
| 22 | 1-5/16 - 18 UNEF | 16 |
| 24 | 1-7/16 - 18 UNEF | 18 |

NOTE: Adapters with other shell sizes and cable entries are possible on request



Material & Finish Code

| Code | Material & Finish | Process | Salt Spray Hours |
|------|--------------------------------------|------------------------------------|------------------|
| A | aluminum/black anodized | conductive up -65 to +175°C | 336 |
| AH | aluminum/hard anodized | non-conductive up -65 to +200°C | 336 |
| N | aluminum/electroless nickel | conductive up -65 to +200°C | 96 |
| W | aluminum/olive drab cadmium | conductive up -65 to +175°C | 500 |
| WS | aluminum/olive drab cadmium | conductive up -65 to +175°C | 1000 |
| Z | aluminum/black zinc nickel | conductive up -65 to +175°C | 500 |
| VB | aluminum/black zinc cobalt | conductive up -65 to +175°C | 350 |
| VO | aluminum/olive drab zinc cobalt | conductive up -65 to +175°C | 350 |
| NU | nickel aluminium bronze/unplated | conductive up -65 to +200°C | 1000 |
| NS | nickel aluminium bronze/shot blasted | conductive up -65 to +200°C | 1000 |
| S | stainless steel/passivation | conductive up -65 to +200°C | 1000 |
| Y | aluminum/gold yellow cadmium | conductive up -65 to +175°C | 1000 |
| WC | aluminum/clear cadmium | conductive up -65 to +175°C | 1000 |
| L | stainless steel/electroless nickel | conductive up -65 to +200°C | 500 |

Cross Reference List

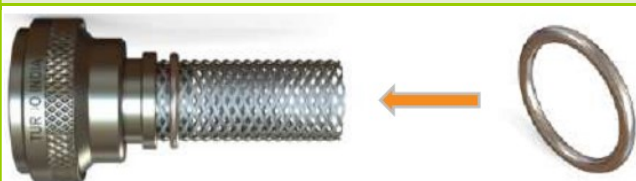
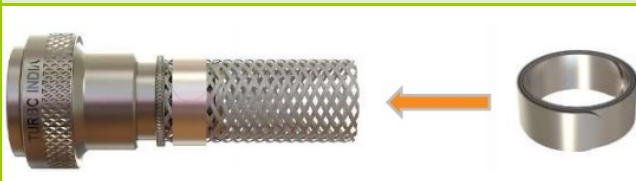
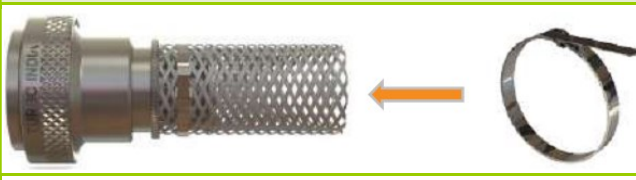
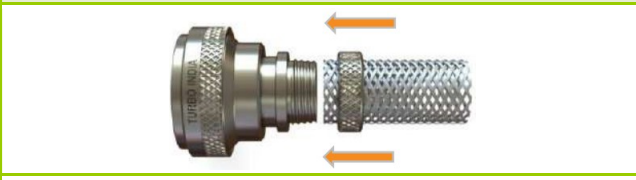
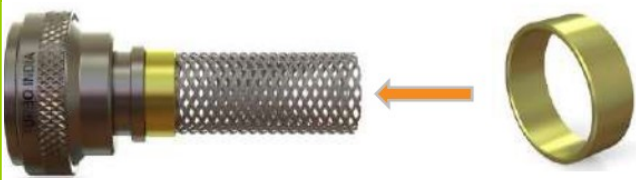

| MIL-DTL-38999 series 3 & 4 | | | |
|----------------------------|---------------------------------------|----------|------------|
| Series | MIL STYLE | GLENAIR | TE/POLAMCO |
| Series BS | M85049/88, M85049/89, M85049/90 | 440HS030 | 91H |
| Series MR | – | 440HS084 | 60H |
| Series SA | M85049/69 | 310HS001 | 97H |
| Series SS | M85049/115, M85049/117 | 319HS001 | 70H |
| Series SB | M85049/38 | 620HS011 | 96H1 |
| Series AB | M85049/39 | 620HA011 | 96H3 |
| Series LB | – | 311HS001 | 95H |
| Series QT | M85049/15, M85049/16 | 450HS001 | 86H |
| Series CR | M85049/20 | – | – |
| Series BN | M85049/14 | – | – |
| Series CCB-01 | – | 370HS001 | 37H |
| Series CCB-02 | – | 360HS001 | 37H (NE) |
| Series CCB-03 | – | 390HS011 | 39H |
| Series CCB-04 | M85049/19 | 380HS005 | 39H (NE) |
| Series CCB-06 | – | 380HS105 | – |
| Series UPB-01 | – | 440HC030 | BTH3C |
| Series BCB-01 | – | 443HS009 | 88H |
| Series BCB-02 | – | 447HS425 | 88H (NE) |

| MIL-DTL-38999 series 1 & 2 | | | |
|----------------------------|---------------------------------------|----------|------------|
| Series | MIL STYLE | GLENAIR | TE/POLAMCO |
| Series BS | M85049/85, M85049/86, M85049/87 | 440FS030 | 91F |
| Series MR | – | 440FS084 | 60F |
| Series SA | M85049/62 | 310FS001 | 97F |
| Series SS | M85049/112, M85049/114 | 319FS001 | 70F |
| Series SB | M85049/49-2 | 620FS011 | 96F1 |
| Series AB | M85049/47 | 620FA011 | 96F3 |
| Series LB | – | 311FS001 | 95F |
| Series CR | M85049/26-1 | 450FS001 | 86F |

Cross Reference List

| MIL-DTL-26482 series 2 | | | |
|------------------------|---------------------------------------|----------|------------|
| Series | MIL STYLE | GLENAIR | TE/POLAMCO |
| Series BS | M85049/82, M85049/83, M85049/84 | 440AS030 | 91A |
| Series MR | – | 440AS084 | 60A |
| Series SA | M85049/60-1 | 310AS001 | 97A |
| Series SS | M85049/109, M85049/111 | 319AS001 | 70A |
| Series SB | M85049/52 | 620AS011 | 96A1 |
| Series AB | M85049/51 | 620AA011 | 96A3 |
| Series LB | – | 311AS001 | 95A |
| Series CR | M85049/33-2 | – | – |

Braid Terminations

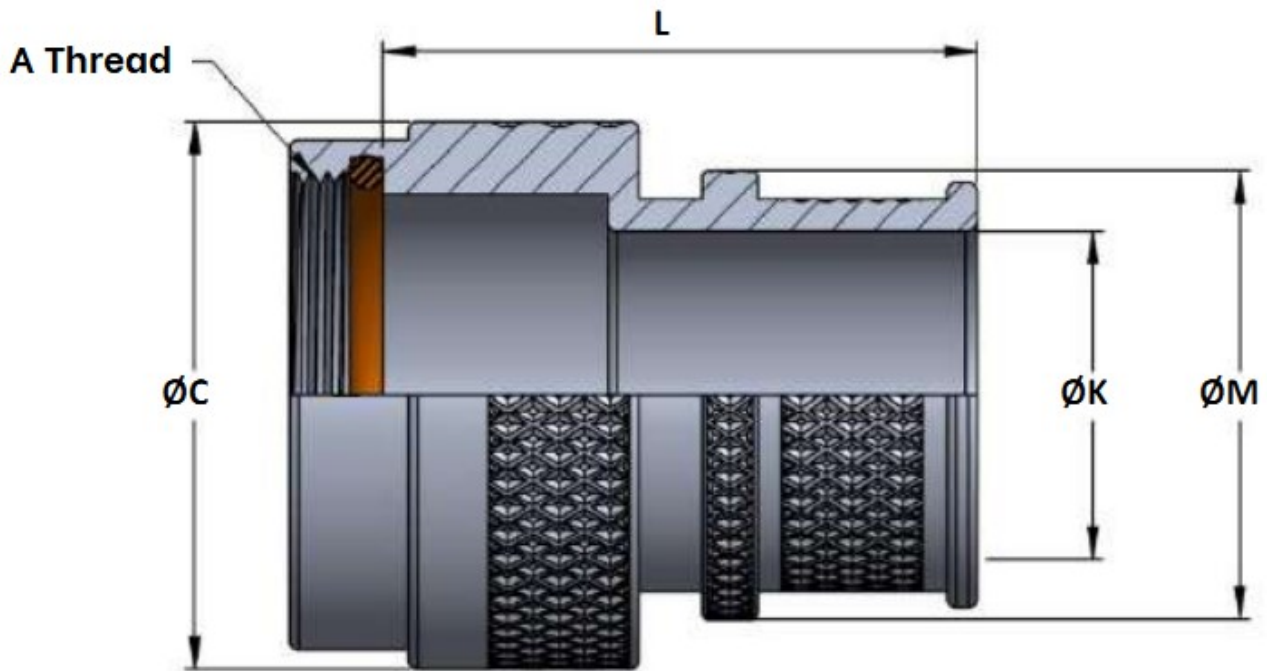
| Memory Ring | Spring |
|---|--|
|  |  |
| memory ring shrunk by the application of heat using a tool | spring wrapped around braid (without tooling) |
| Band | Thread Lock |
|  |  |
| band clamped with calibrated tool | braid trapped in loose fitting male and female thread |
| Crimp Ring | Cone |
|  |  |
| product supplied with pre-terminated braid | braid clamped between cones |



**MIL-DTL-38999 (series 1 & 2),
MIL-DTL-26482 (series 1)**

Series ALBS

EMI/RFI banding and shrink boot adapters, direct coupling



Ordering information

| Basic Series | ALBS | -F | 1 | S | W | -18 | 07 | -ST | -T |
|--|------|----|---|---|---|-----|----|-----|----|
| Connector Interface: | | | | | | | | | |
| F – MIL-DTL-38999 (series 1 & 2) | | | | | | | | | |
| T – MIL-DTL-26482 (series 1) | | | | | | | | | |
| Coupling Ring Option: | | | | | | | | | |
| 1 – direct coupling | | | | | | | | | |
| Angle Code: | | | | | | | | | |
| S – straight | | | | | | | | | |
| Material & Finish Code | | | | | | | | | |
| Shell Size | | | | | | | | | |
| Cable Entry Code | | | | | | | | | |
| Length Code for Straight Parts: | | | | | | | | | |
| ST – for standard length (L) – 1.25" | | | | | | | | | |
| (1/2" increment, for example 8 = 4 inches) | | | | | | | | | |
| Banding Option: | | | | | | | | | |
| S – CF spring | | | | | | | | | |
| T – termination band | | | | | | | | | |
| Omit – for none | | | | | | | | | |



Dimensions

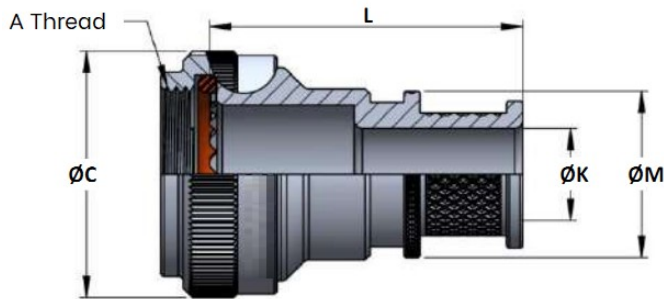
| Shell Size | | A Thread | Ø C MAX | Cable Entry Code |
|-----------------|------------------------------------|------------------|---------|------------------|
| 38999, series 1 | 38999, series 2 26482, series 1 | | | |
| 09 | 08 | 7/16 - 28 UNEF | 18.80 | 02 - 04 |
| 11 | 10 | 9/16 - 24 UNEF | 19.00 | 02 - 06 |
| 13 | 12 | 11/16 - 24 UNEF | 22.16 | 02 - 08 |
| 15 | 14 | 13/16 - 20 UNEF | 25.34 | 02 - 10 |
| 17 | 16 | 15/16 - 20 UNEF | 29.31 | 02 - 12 |
| 19 | 18 | 1-1/16 - 18 UNEF | 32.49 | 02 - 14 |
| 21 | 20 | 1-3/16 - 18 UNEF | 36.46 | 02 - 16 |
| 23 | 22 | 1-5/16 - 18 UNEF | 39.63 | 02 - 18 |
| 25 | 24 | 1-7/16 - 18 UNEF | 41.48 | 02 - 20 |

| Cable Entry Code | Ø K +0.20 | Ø M MAX |
|------------------|-----------|---------|
| 02 | 3.20 | 10.41 |
| 03 | 4.70 | 11.91 |
| 04 | 6.30 | 13.51 |
| 05 | 7.90 | 15.11 |
| 06 | 9.50 | 16.71 |
| 07 | 11.10 | 18.31 |
| 08 | 12.70 | 19.91 |
| 09 | 14.20 | 21.41 |
| 10 | 15.80 | 23.01 |
| 11 | 17.40 | 24.61 |
| 12 | 19.00 | 26.21 |
| 13 | 20.60 | 27.81 |
| 14 | 22.20 | 29.41 |
| 15 | 23.80 | 31.01 |
| 16 | 25.40 | 32.61 |
| 17 | 27.00 | 34.21 |
| 18 | 28.60 | 35.81 |
| 19 | 30.20 | 37.41 |
| 20 | 31.80 | 39.01 |

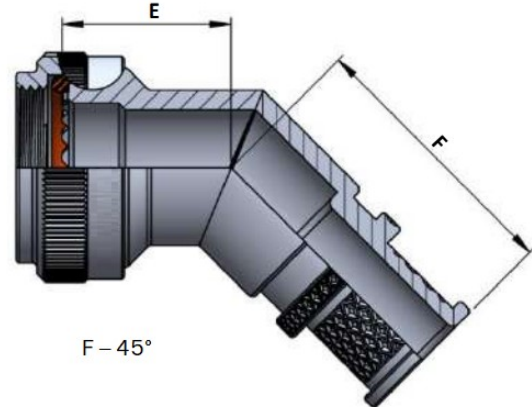


Series ALBS

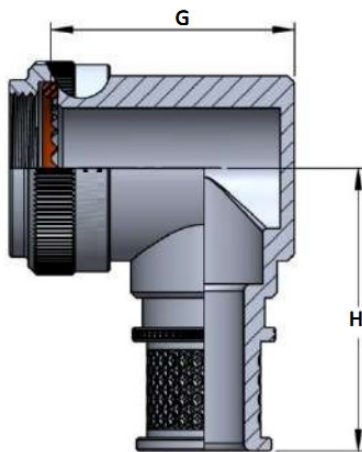
EMI/RFI banding and shrink boot adapters, spin coupling



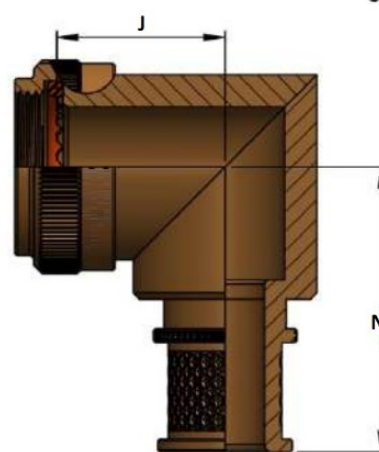
S – straight



F – 45°



N – 90°



N – 90°

stainless steel
nickel aluminium bronze

Ordering information

| Basic Series | ALBS | -F | 3 | S | W | -18 | 07 | -8 | -T |
|--|------|----|---|---|---|-----|----|----|----|
| Connector Interface: | | | | | | | | | |
| F – MIL-DTL-38999 (series 1 & 2) | | | | | | | | | |
| T – MIL-DTL-26482 (series 1) | | | | | | | | | |
| Coupling Ring Option: | | | | | | | | | |
| 3 – spin coupling | | | | | | | | | |
| Angle Code: | | | | | | | | | |
| S – straight | | | | | | | | | |
| F – 45° | | | | | | | | | |
| N – 90° | | | | | | | | | |
| Material & Finish Code | | | | | | | | | |
| Shell Size | | | | | | | | | |
| Cable Entry Code | | | | | | | | | |
| Length Code for Straight Parts: | | | | | | | | | |
| ST – for standard length (L) – 1.25" | | | | | | | | | |
| (1/2" increment, for example 8 = 4 inches) | | | | | | | | | |
| Banding Option: | | | | | | | | | |
| S – CF spring | | | | | | | | | |
| T – termination band | | | | | | | | | |
| Omit – for none | | | | | | | | | |



Dimensions

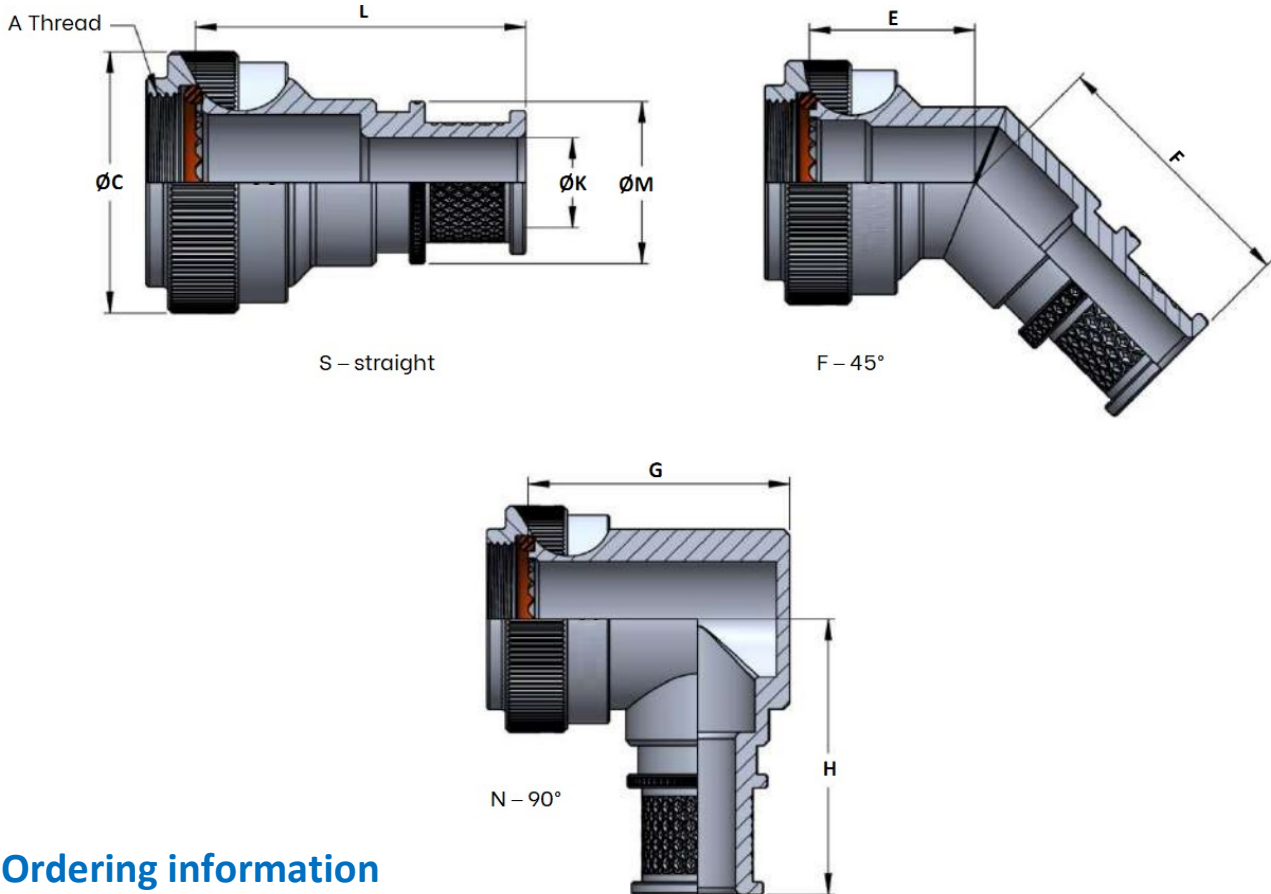
| Shell Size | | A Thread | Ø C MAX | | Cable Entry Code | | |
|-----------------|------------------------------------|------------------|----------|----------|------------------|----------|----------|
| 38999, series 1 | 38999, series 2 26482, series 1 | | | | | | |
| 09 | 08 | 7/16 - 28 UNEF | 18.30 | | 02 – 05 | | |
| 11 | 10 | 9/16 - 24 UNEF | 21.50 | | 02 – 07 | | |
| 13 | 12 | 11/16 - 24 UNEF | 24.80 | | 02 – 08 | | |
| 15 | 14 | 13/16 - 20 UNEF | 28.10 | | 02 – 10 | | |
| 17 | 16 | 15/16 - 20 UNEF | 31.10 | | 04 – 12 | | |
| 19 | 18 | 1-1/16 - 18 UNEF | 34.30 | | 05 – 12 | | |
| 21 | 20 | 1-3/16 - 18 UNEF | 37.60 | | 05 – 14 | | |
| 23 | 22 | 1-5/16 - 18 UNEF | 40.80 | | 06 – 16 | | |
| 25 | 24 | 1-7/16 - 18 UNEF | 44.00 | | 07 – 20 | | |
| Shell Size | | E MAX | F MAX | G MAX | H MAX | J MAX | N MAX |
| 38999, series 1 | 38999, series 2 26482, series 1 | | | | | | |
| 09 | 08 | 17.90 | 26.70 | 24.70 | 24.70 | 16.00 | 31.00 |
| 11 | 10 | 18.70 | 27.90 | 27.20 | 27.20 | 18.00 | 32.70 |
| 13 | 12 | 19.10 | 28.30 | 30.20 | 30.20 | 19.00 | 34.20 |
| 15 | 14 | 20.00 | 29.20 | 33.20 | 33.20 | 21.00 | 35.70 |
| 17 | 16 | 20.70 | 30.00 | 36.70 | 36.70 | 22.50 | 37.40 |
| 19 | 18 | 21.10 | 30.30 | 40.70 | 40.70 | 24.00 | 38.90 |
| 21 | 20 | 21.90 | 31.10 | 43.20 | 43.20 | 26.00 | 41.60 |
| 23 | 22 | 22.30 | 31.50 | 46.20 | 46.20 | 27.00 | 42.10 |
| 25 | 24 | 23.20 | 32.40 | 49.20 | 49.20 | 29.00 | 43.60 |

| Cable Entry Code | Ø K +0.20 | Ø M MAX | Cable Entry Code | Ø K +0.20 | Ø M MAX |
|------------------|-----------|---------|------------------|-----------|---------|
| 02 | 3.20 | 10.41 | 12 | 19.00 | 26.21 |
| 03 | 4.70 | 11.91 | 13 | 20.60 | 27.81 |
| 04 | 6.30 | 13.51 | 14 | 22.20 | 29.41 |
| 05 | 7.90 | 15.11 | 15 | 23.80 | 31.01 |
| 06 | 9.50 | 16.71 | 16 | 25.40 | 32.61 |
| 07 | 11.10 | 18.31 | 17 | 27.00 | 34.21 |
| 08 | 12.70 | 19.91 | 18 | 28.60 | 35.81 |
| 09 | 14.20 | 21.41 | 19 | 30.20 | 37.41 |
| 10 | 15.80 | 23.01 | 20 | 31.80 | 39.01 |
| 11 | 17.40 | 24.61 | | | |



Series ALBS

EMI/RFI banding and shrink boot adapters, self locking coupling
 M85049/85, M85049/86, M85049/87



Ordering information

| Basic Series | ALBS | -F | 5 | S | W | -18 | 07 | -8 | -T |
|--|------|----|---|---|---|-----|----|----|----|
| Connector Interface: | | | | | | | | | |
| F – MIL-DTL-38999 (series 1 & 2) | | | | | | | | | |
| T – MIL-DTL-26482 (series 1) | | | | | | | | | |
| Coupling Ring Option: | | | | | | | | | |
| 5 – self locking coupling | | | | | | | | | |
| Angle Code: | | | | | | | | | |
| S – straight (M85049/85) | | | | | | | | | |
| F – 45° (M85049/86) | | | | | | | | | |
| N – 90° (M85049/87) | | | | | | | | | |
| Material & Finish Code | | | | | | | | | |
| Shell Size | | | | | | | | | |
| Cable Entry Code | | | | | | | | | |
| Length Code for Straight Parts: | | | | | | | | | |
| ST – for standard length (L) – 1.25" | | | | | | | | | |
| (1/2" increment, for example 8 = 4 inches) | | | | | | | | | |
| Banding Option: | | | | | | | | | |
| S – CF spring | | | | | | | | | |
| T – termination band | | | | | | | | | |
| Omit – for none | | | | | | | | | |



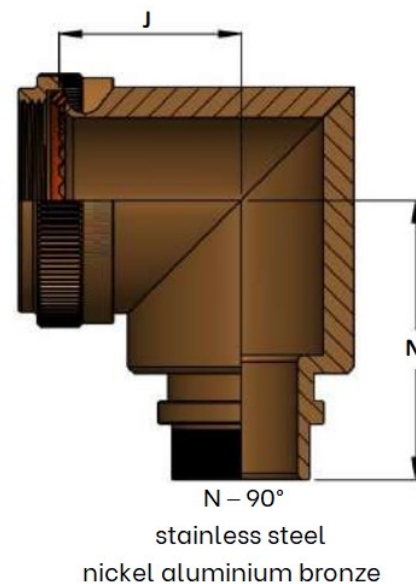
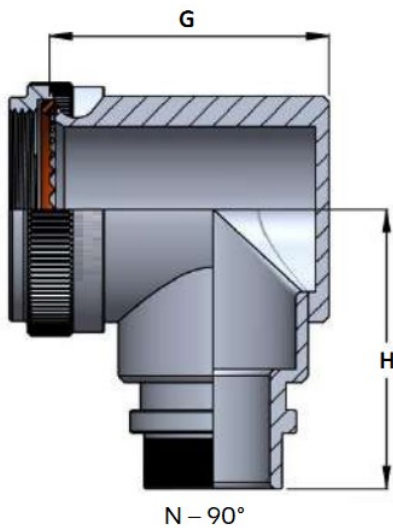
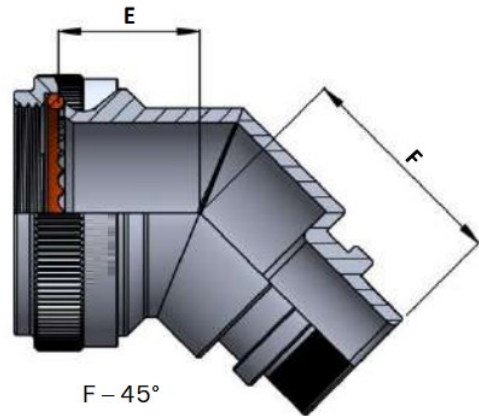
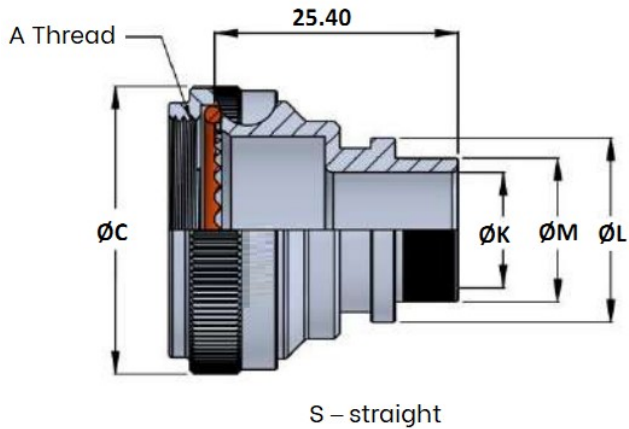
Dimensions

| Shell Size | | A Thread | Ø C MAX | Cable Entry Code | |
|-----------------|------------------------------------|------------------|---------|------------------|-------|
| 38999, series 1 | 38999, series 2 26482, series 1 | | | | |
| 09 | 08 | 7/16 - 28 UNEF | 21.80 | 02 – 05 | |
| 11 | 10 | 9/16 - 24 UNEF | 25.00 | 02 – 07 | |
| 13 | 12 | 11/16 - 24 UNEF | 29.35 | 02 – 08 | |
| 15 | 14 | 13/16 - 20 UNEF | 32.54 | 02 – 10 | |
| 17 | 16 | 15/16 - 20 UNEF | 35.70 | 04 – 12 | |
| 19 | 18 | 1-1/16 - 18 UNEF | 38.50 | 05 – 12 | |
| 21 | 20 | 1-3/16 - 18 UNEF | 41.65 | 05 – 14 | |
| 23 | 22 | 1-5/16 - 18 UNEF | 44.85 | 06 – 16 | |
| 25 | 24 | 1-7/16 - 18 UNEF | 48.00 | 07 – 20 | |
| Shell Size | | E MAX | F MAX | G MAX | H MAX |
| 38999, series 1 | 38999, series 2 26482, series 1 | | | | |
| 09 | 08 | 18.40 | 26.70 | 29.00 | 31.00 |
| 11 | 10 | 19.20 | 27.90 | 32.50 | 32.70 |
| 13 | 12 | 19.60 | 28.30 | 35.50 | 34.20 |
| 15 | 14 | 20.50 | 29.20 | 38.50 | 35.70 |
| 17 | 16 | 21.20 | 30.00 | 42.00 | 37.40 |
| 19 | 18 | 21.60 | 30.30 | 46.00 | 38.90 |
| 21 | 20 | 22.40 | 31.10 | 48.50 | 41.60 |
| 23 | 22 | 22.80 | 31.50 | 51.50 | 42.10 |
| 25 | 24 | 23.70 | 32.40 | 54.00 | 43.60 |

| Cable Entry Code | Ø K +0.20 | Ø M MAX | Cable Entry Code | Ø K +0.20 | Ø M MAX |
|------------------|-----------|---------|------------------|-----------|---------|
| 02 | 3.20 | 10.41 | 12 | 19.00 | 26.21 |
| 03 | 4.70 | 11.91 | 13 | 20.60 | 27.81 |
| 04 | 6.30 | 13.51 | 14 | 22.20 | 29.41 |
| 05 | 7.90 | 15.11 | 15 | 23.80 | 31.01 |
| 06 | 9.50 | 16.71 | 16 | 25.40 | 32.61 |
| 07 | 11.10 | 18.31 | 17 | 27.00 | 34.21 |
| 08 | 12.70 | 19.91 | 18 | 28.60 | 35.81 |
| 09 | 14.20 | 21.41 | 19 | 30.20 | 37.41 |
| 10 | 15.80 | 23.01 | 20 | 31.80 | 39.01 |
| 11 | 17.40 | 24.61 | | | |

Series ALMR

EMI/RFI memory ring shrink boot adapters, spin coupling



Ordering information

| | | | | | | | | |
|--|-------------|-----------|----------|----------|----------|------------|-----------|-----------|
| Basic Series | ALMR | -F | 3 | S | W | -18 | 07 | -8 |
| Connector Interface: | | | | | | | | |
| F – MIL-DTL-38999 (series 1 & 2) | | | | | | | | |
| T – MIL-DTL-26482 (series 1) | | | | | | | | |
| Coupling Ring Option: | | | | | | | | |
| 3 – spin coupling | | | | | | | | |
| Angle Code: | | | | | | | | |
| S – straight | | | | | | | | |
| F – 45° | | | | | | | | |
| N – 90° | | | | | | | | |
| Material & Finish Code | | | | | | | | |
| Shell Size | | | | | | | | |
| Cable Entry Code | | | | | | | | |
| Length Code for Straight Parts: | | | | | | | | |
| ST – for standard length (L) – 1.00" | | | | | | | | |
| (1/2" increment, for example 8 = 4 inches) | | | | | | | | |



Dimensions

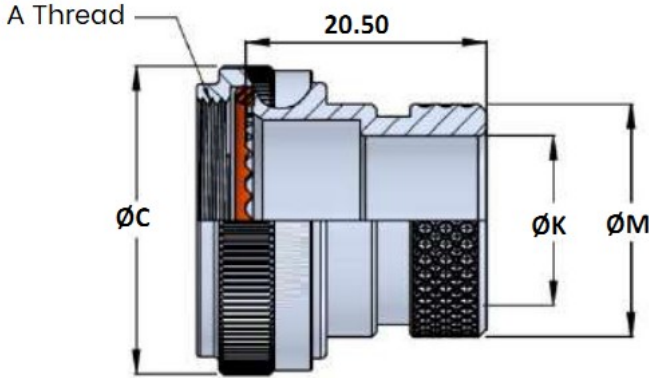
| Shell Size | | A Thread | Ø C MAX | | Cable Entry Code | | |
|-----------------|------------------------------------|------------------|----------|----------|------------------|----------|----------|
| 38999, series 1 | 38999, series 2 26482, series 1 | | | | | | |
| 09 | 08 | 7/16 - 28 UNEF | 18.30 | | 04 – 05 | | |
| 11 | 10 | 9/16 - 24 UNEF | 21.50 | | 04 – 07 | | |
| 13 | 12 | 11/16 - 24 UNEF | 24.80 | | 04 – 08 | | |
| 15 | 14 | 13/16 - 20 UNEF | 28.10 | | 04 – 10 | | |
| 17 | 16 | 15/16 - 20 UNEF | 31.10 | | 04 – 12 | | |
| 19 | 18 | 1-1/16 - 18 UNEF | 34.30 | | 04 – 12 | | |
| 21 | 20 | 1-3/16 - 18 UNEF | 37.60 | | 04 – 14 | | |
| 23 | 22 | 1-5/16 - 18 UNEF | 40.80 | | 04 – 16 | | |
| 25 | 24 | 1-7/16 - 18 UNEF | 44.00 | | 04 – 20 | | |
| Shell Size | | E MAX | F MAX | G MAX | H MAX | J MAX | N MAX |
| 38999, series 1 | 38999, series 2 26482, series 1 | | | | | | |
| 09 | 08 | 17.90 | 21.60 | 24.70 | 27.00 | 16.00 | 27.50 |
| 11 | 10 | 18.70 | 22.40 | 27.20 | 28.70 | 18.00 | 29.20 |
| 13 | 12 | 19.10 | 23.30 | 30.20 | 30.20 | 19.00 | 30.70 |
| 15 | 14 | 20.00 | 23.70 | 33.20 | 31.70 | 21.00 | 32.20 |
| 17 | 16 | 20.70 | 24.50 | 36.70 | 33.40 | 22.50 | 33.90 |
| 19 | 18 | 21.10 | 24.80 | 40.70 | 35.00 | 24.00 | 35.50 |
| 21 | 20 | 21.90 | 25.60 | 43.20 | 36.60 | 26.00 | 37.10 |
| 23 | 22 | 22.30 | 26.50 | 46.20 | 38.10 | 27.00 | 38.60 |
| 25 | 24 | 23.20 | 26.90 | 49.20 | 39.60 | 29.00 | 40.10 |

| Cable Entry Code | Ø K +0.20 | Ø M MAX | Ø L MAX | Cable Entry Code | Ø K +0.20 | Ø M MAX | Ø L MAX |
|------------------|-----------|---------|---------|------------------|-----------|---------|---------|
| 04 | 6.30 | 9.64 | 14.14 | 12 | 19.00 | 22.34 | 26.84 |
| 05 | 7.90 | 11.24 | 15.74 | 14 | 22.20 | 25.54 | 30.04 |
| 06 | 9.50 | 12.84 | 17.34 | 16 | 25.40 | 28.74 | 33.24 |
| 07 | 11.10 | 14.44 | 18.94 | 18 | 28.60 | 31.94 | 36.44 |
| 08 | 12.70 | 16.04 | 20.54 | 20 | 31.80 | 35.14 | 39.64 |
| 10 | 15.80 | 19.14 | 23.64 | | | | |

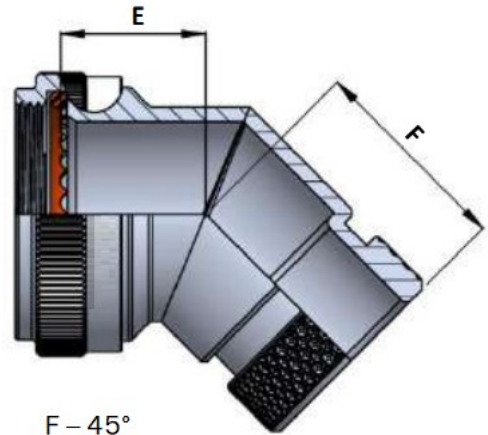


Series ALSA

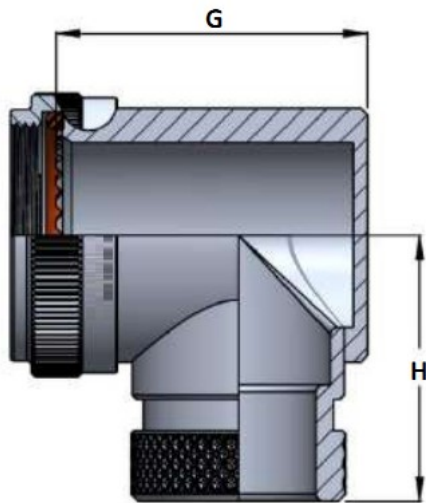
Shrink boot adapters, spin coupling. M85049/62



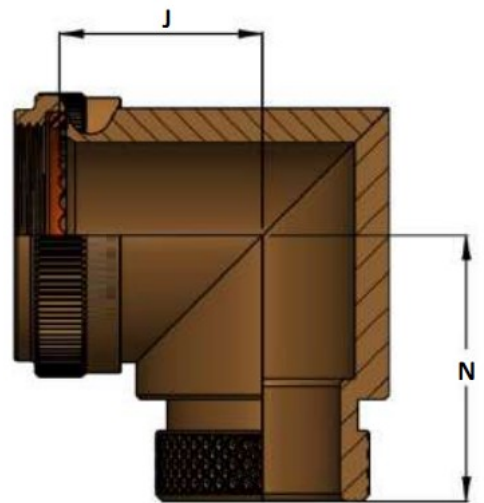
S – straight



F – 45°



N – 90°



N – 90°

stainless steel

nickel aluminium bronze

Ordering information

| Basic Series | ALSA | -F | 3 | S | W | -18 | DH |
|----------------------------------|------|----|---|---|---|-----|----|
| Connector Interface: | | | | | | | |
| F – MIL-DTL-38999 (series 1 & 2) | | | | | | | |
| T – MIL-DTL-26482 (series 1) | | | | | | | |
| Coupling Ring Option: | | | | | | | |
| 3 – spin coupling | | | | | | | |
| Angle Code: | | | | | | | |
| S – straight (M85049/62) | | | | | | | |
| F – 45° | | | | | | | |
| N – 90° | | | | | | | |
| Material & Finish Code | | | | | | | |
| Shell Size | | | | | | | |
| Drain Holes Option: | | | | | | | |
| DH – Drain Holes | | | | | | | |
| Omit – for none | | | | | | | |

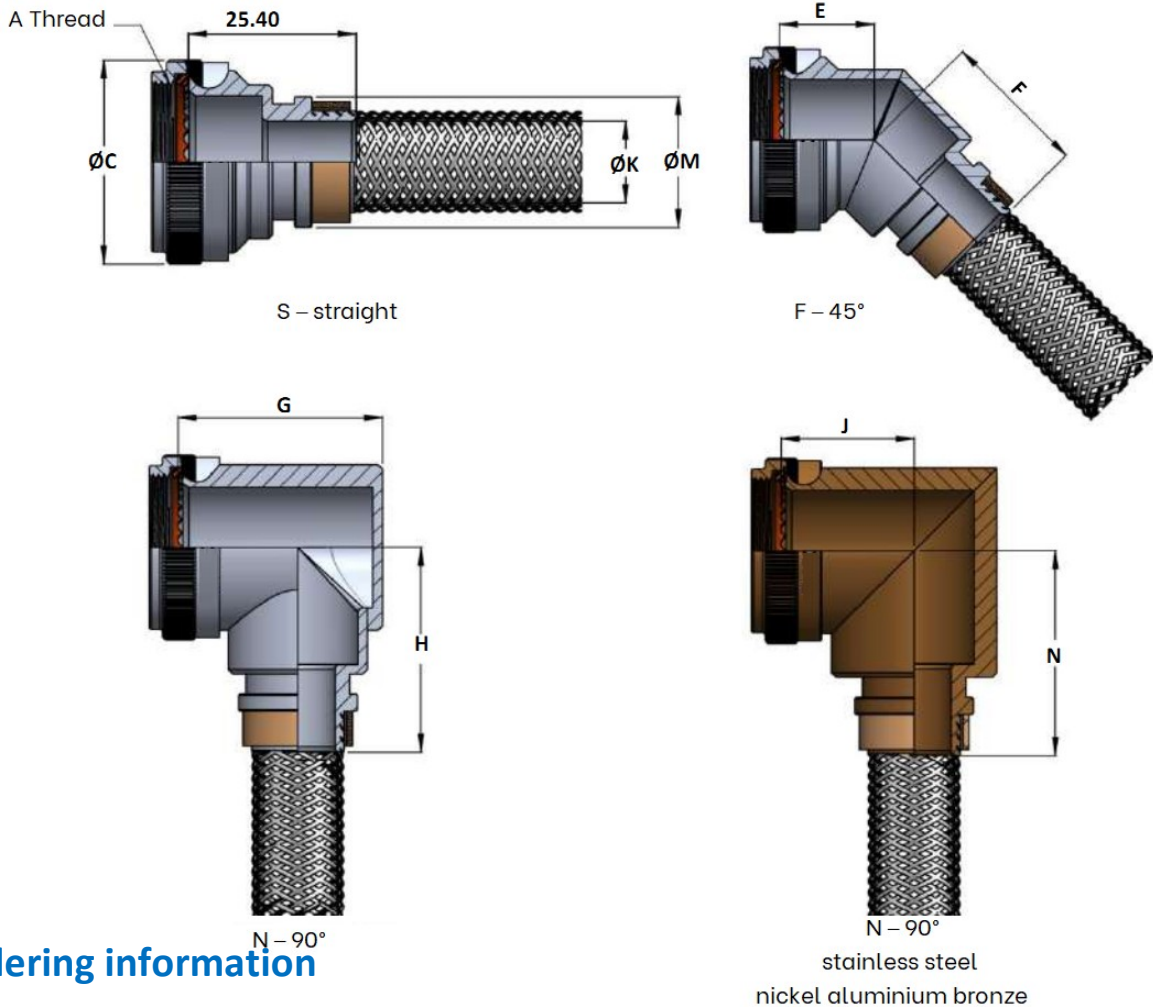
Dimensions

| Shell Size | | A Thread | Ø C MAX | Ø K | Ø M | | |
|-----------------|------------------------------------|------------------|----------|----------|----------|----------|----------|
| 38999, series 1 | 38999, series 2 26482, series 1 | | | | | | |
| 09 | 08 | 7/16 - 28 UNEF | 18.30 | 6.35 | 13.54 | | |
| 11 | 10 | 9/16 - 24 UNEF | 21.50 | 9.52 | 15.37 | | |
| 13 | 12 | 11/16 - 24 UNEF | 24.80 | 12.70 | 19.66 | | |
| 15 | 14 | 13/16 - 20 UNEF | 28.10 | 15.88 | 21.29 | | |
| 17 | 16 | 15/16 - 20 UNEF | 31.10 | 19.05 | 24.46 | | |
| 19 | 18 | 1-1/16 - 18 UNEF | 34.30 | 20.62 | 26.47 | | |
| 21 | 20 | 1-3/16 - 18 UNEF | 37.60 | 23.80 | 30.91 | | |
| 23 | 22 | 1-5/16 - 18 UNEF | 40.80 | 26.97 | 34.42 | | |
| 25 | 24 | 1-7/16 - 18 UNEF | 44.00 | 30.18 | 36.65 | | |
| Shell Size | | E MAX | F MAX | G MAX | H MAX | J MAX | N MAX |
| 38999, series 1 | 38999, series 2 26482, series 1 | | | | | | |
| 09 | 08 | 17.90 | 18.60 | 24.70 | 26.00 | 16.00 | 26.00 |
| 11 | 10 | 18.70 | 19.40 | 27.20 | 27.80 | 18.00 | 27.80 |
| 13 | 12 | 19.10 | 20.30 | 30.20 | 39.20 | 19.00 | 39.20 |
| 15 | 14 | 20.00 | 20.60 | 33.20 | 30.70 | 21.00 | 30.70 |
| 17 | 16 | 20.70 | 21.40 | 36.70 | 32.40 | 22.50 | 32.40 |
| 19 | 18 | 21.10 | 21.80 | 40.70 | 34.00 | 24.00 | 34.00 |
| 21 | 20 | 21.90 | 22.60 | 43.20 | 36.00 | 26.00 | 36.00 |
| 23 | 22 | 22.30 | 23.50 | 46.20 | 37.20 | 27.00 | 37.20 |
| 25 | 24 | 23.20 | 23.90 | 49.20 | 38.60 | 29.00 | 38.60 |



Series ALSS

EMI/RFI shield sock shrink boot adapters, spin coupling M85049/112 & M85049/114



Ordering information

| Basic Series | ALSS | -F | 3 | S | W | -18 | 07 | -08 | -6 |
|---|------|----|---|---|---|-----|----|-----|----|
| Connector Interface: | | | | | | | | | |
| F – MIL-DTL-38999 (series 1 & 2) | | | | | | | | | |
| T – MIL-DTL-26482 (series 1) | | | | | | | | | |
| Coupling Ring Option: | | | | | | | | | |
| 3 – spin coupling | | | | | | | | | |
| Angle Code: | | | | | | | | | |
| S – straight (M85049/112) | | | | | | | | | |
| F – 45° | | | | | | | | | |
| N – 90° (M85049/114) | | | | | | | | | |
| Material & Finish Code | | | | | | | | | |
| Shell Size | | | | | | | | | |
| Cable Entry Code | | | | | | | | | |
| Braid Length Code: | | | | | | | | | |
| Standard supply will be 6.00" (custom option available in 1" increment. for example 8 = 8 inches) | | | | | | | | | |
| Length Code for Straight Parts: | | | | | | | | | |
| ST – for standard length (L) – 1.00" | | | | | | | | | |
| (1/2" increment, for example 8 = 4 inches) | | | | | | | | | |



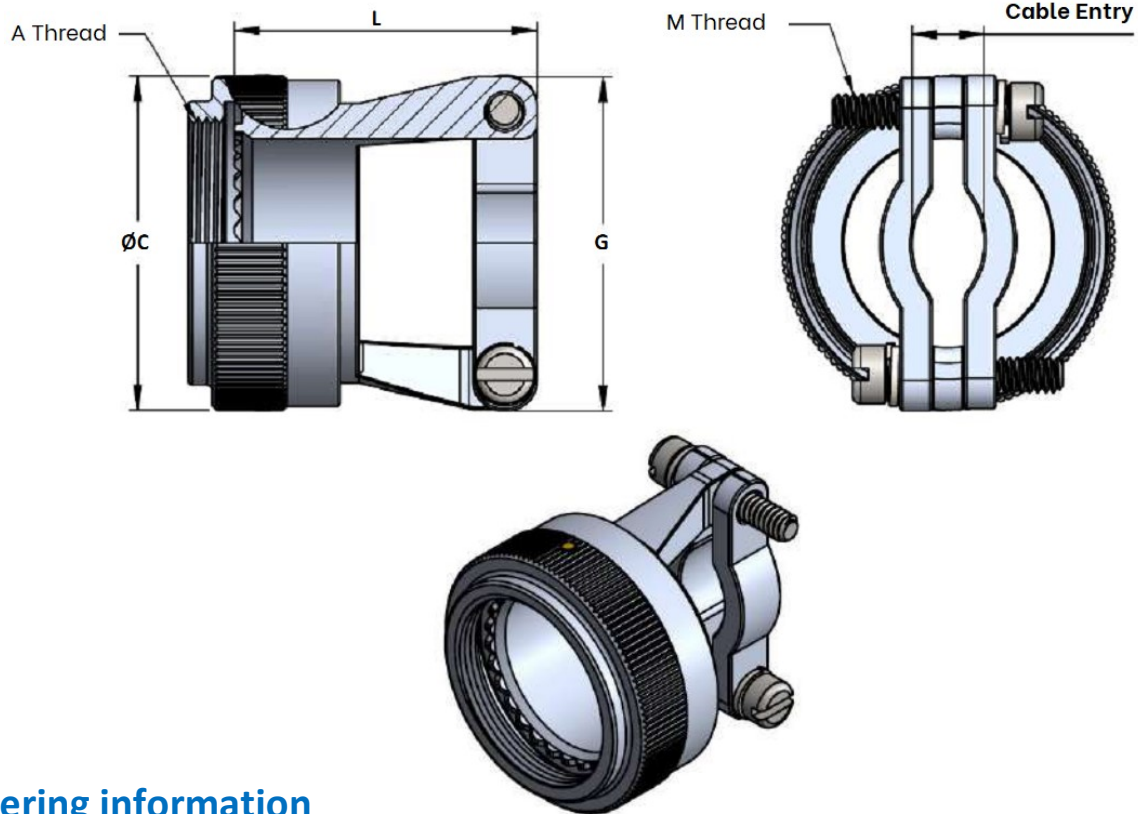
Dimensions

| Shell Size | | A Thread | Ø C MAX | | Cable Entry Code | | |
|-----------------|------------------------------------|------------------|----------|----------|------------------|----------|----------|
| 38999, series 1 | 38999, series 2 26482, series 1 | | | | | | |
| 09 | 08 | 7/16 - 28 UNEF | 18.30 | | 03 - 04 | | |
| 11 | 10 | 9/16 - 24 UNEF | 21.50 | | 03 - 06 | | |
| 13 | 12 | 11/16 - 24 UNEF | 24.80 | | 03 - 08 | | |
| 15 | 14 | 13/16 - 20 UNEF | 28.10 | | 03 - 09 | | |
| 17 | 16 | 15/16 - 20 UNEF | 31.10 | | 03 - 11 | | |
| 19 | 18 | 1-1/16 - 18 UNEF | 34.30 | | 03 - 13 | | |
| 21 | 20 | 1-3/16 - 18 UNEF | 37.60 | | 03 - 15 | | |
| 23 | 22 | 1-5/16 - 18 UNEF | 40.80 | | 03 - 17 | | |
| 25 | 24 | 1-7/16 - 18 UNEF | 44.00 | | 03 - 18 | | |
| Shell Size | | E MAX | F MAX | G MAX | H MAX | J MAX | N MAX |
| 38999, series 1 | 38999, series 2 26482, series 1 | | | | | | |
| 09 | 08 | 17.90 | 18.10 | 24.70 | 25.00 | 16.00 | 25.00 |
| 11 | 10 | 18.70 | 19.20 | 27.20 | 26.70 | 18.00 | 26.70 |
| 13 | 12 | 19.10 | 19.60 | 30.20 | 28.20 | 19.00 | 28.20 |
| 15 | 14 | 20.00 | 20.50 | 33.20 | 29.70 | 21.00 | 29.70 |
| 17 | 16 | 20.70 | 21.30 | 36.70 | 31.40 | 22.50 | 31.40 |
| 19 | 18 | 21.10 | 21.80 | 40.70 | 33.00 | 24.00 | 33.00 |
| 21 | 20 | 21.90 | 22.70 | 43.20 | 34.60 | 26.00 | 34.60 |
| 23 | 22 | 22.30 | 23.00 | 46.20 | 36.10 | 27.00 | 36.10 |
| 25 | 24 | 23.20 | 23.90 | 49.20 | 37.60 | 29.00 | 37.60 |

| Cable Entry Code | Ø K +0.20 | Ø M MAX | Cable Entry Code | Ø K +0.20 | Ø M MAX |
|------------------|-----------|---------|------------------|-----------|---------|
| 03 | 4.70 | 12.40 | 11 | 17.40 | 25.10 |
| 04 | 6.30 | 14.00 | 12 | 19.00 | 26.70 |
| 05 | 7.90 | 15.60 | 13 | 20.60 | 28.30 |
| 06 | 9.50 | 17.20 | 14 | 22.20 | 29.90 |
| 07 | 11.10 | 18.80 | 15 | 23.80 | 31.50 |
| 08 | 12.70 | 20.40 | 16 | 25.40 | 33.10 |
| 09 | 14.20 | 21.90 | 17 | 27.00 | 34.70 |
| 10 | 15.80 | 23.50 | 18 | 28.60 | 36.30 |

Series ALSB

Straight Strain Reliefs, spin coupling. M85049/49-2



Ordering information

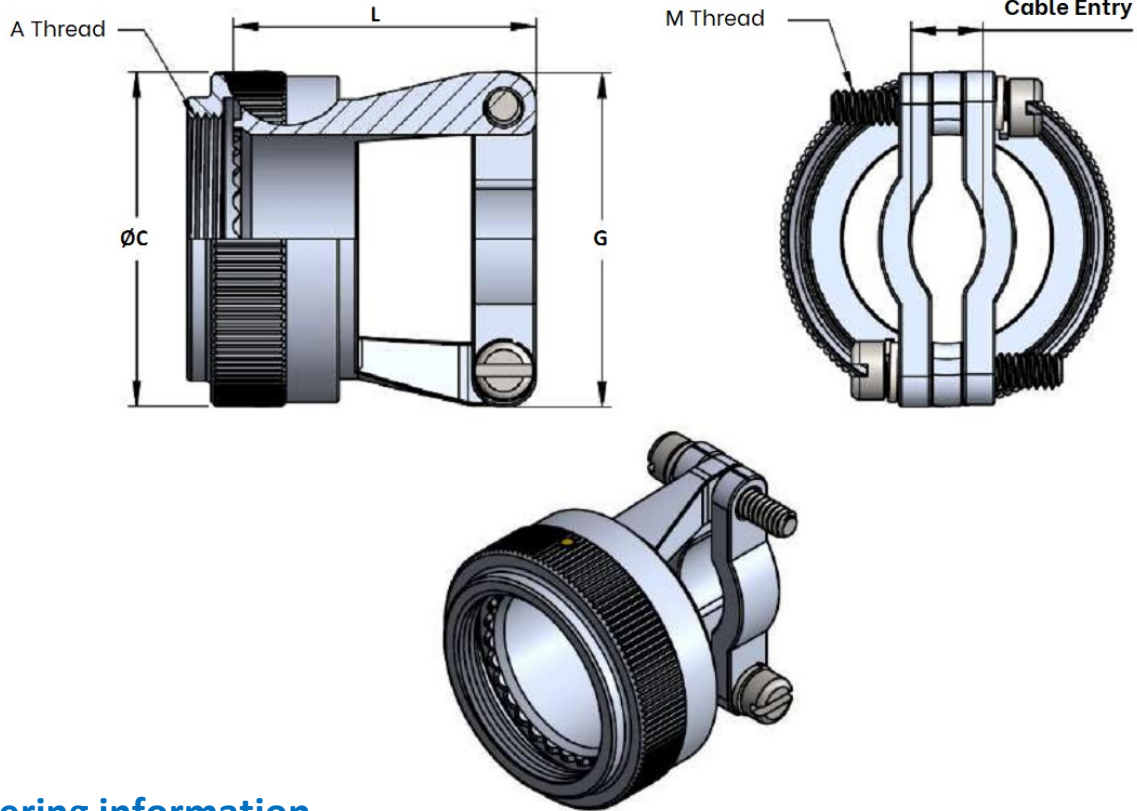
| | | | | | |
|----------------------------------|-------------|-----------|----------|----------|------------|
| Basic Series | ALSB | -F | 3 | S | -14 |
| Connector Interface: | | | | | |
| F – MIL-DTL-38999 (series 1 & 2) | | | | | |
| T – MIL-DTL-26482 (series 1) | | | | | |
| Coupling Ring Option: | | | | | |
| 3 – spin coupling | | | | | |
| Material & Finish Code | | | | | |
| Shell Size | | | | | |

Dimensions

| Shell Size | | A Thread | Ø C MAX | Cable Entry | L MAX | G MAX | M Thread |
|--------------------|------------------------------------|------------------|------------|---------------|----------|----------|-------------|
| 38999, series 1 | 38999, series 2 26482, series 1 | | | | | | |
| 09 | 08 | 7/16 - 28 UNEF | 18.30 | 2.49 – 5.94 | 21.80 | 21.60 | 6-32 |
| 11 | 10 | 9/16 - 24 UNEF | 21.50 | 3.89 – 5.94 | 21.80 | 22.90 | 6-32 |
| 13 | 12 | 11/16 - 24 UNEF | 24.80 | 4.83 – 8.33 | 23.00 | 27.90 | 6-32 |
| 15 | 14 | 13/16 - 20 UNEF | 28.10 | 6.60 – 11.61 | 23.00 | 29.20 | 6-32 |
| 17 | 16 | 15/16 - 20 UNEF | 31.10 | 7.19 – 15.60 | 25.00 | 33.00 | 6-32 |
| 19 | 18 | 1-1/16 - 18 UNEF | 34.30 | 8.26 – 16.10 | 28.00 | 38.10 | 8-32 |
| 21 | 20 | 1-3/16 - 18 UNEF | 37.60 | 8.71 – 17.73 | 29.50 | 40.60 | 8-32 |
| 23 | 22 | 1-5/16 - 18 UNEF | 40.80 | 9.68 – 20.90 | 33.00 | 43.20 | 8-32 |
| 25 | 24 | 1-7/16 - 18 UNEF | 44.00 | 10.62 – 21.67 | 36.00 | 45.70 | 8-32 |

Series ALSB

Straight Strain Reliefs, self locking coupling. M85049/49-2



Ordering information

| | | | | | |
|----------------------------------|-------------|-----------|----------|----------|------------|
| Basic Series | ALSB | -F | 5 | S | -14 |
| Connector Interface: | | | | | |
| F – MIL-DTL-38999 (series 1 & 2) | | | | | |
| T – MIL-DTL-26482 (series 1) | | | | | |
| Coupling Ring Option: | | | | | |
| 5 – self locking coupling | | | | | |
| Material & Finish Code | | | | | |
| Shell Size | | | | | |

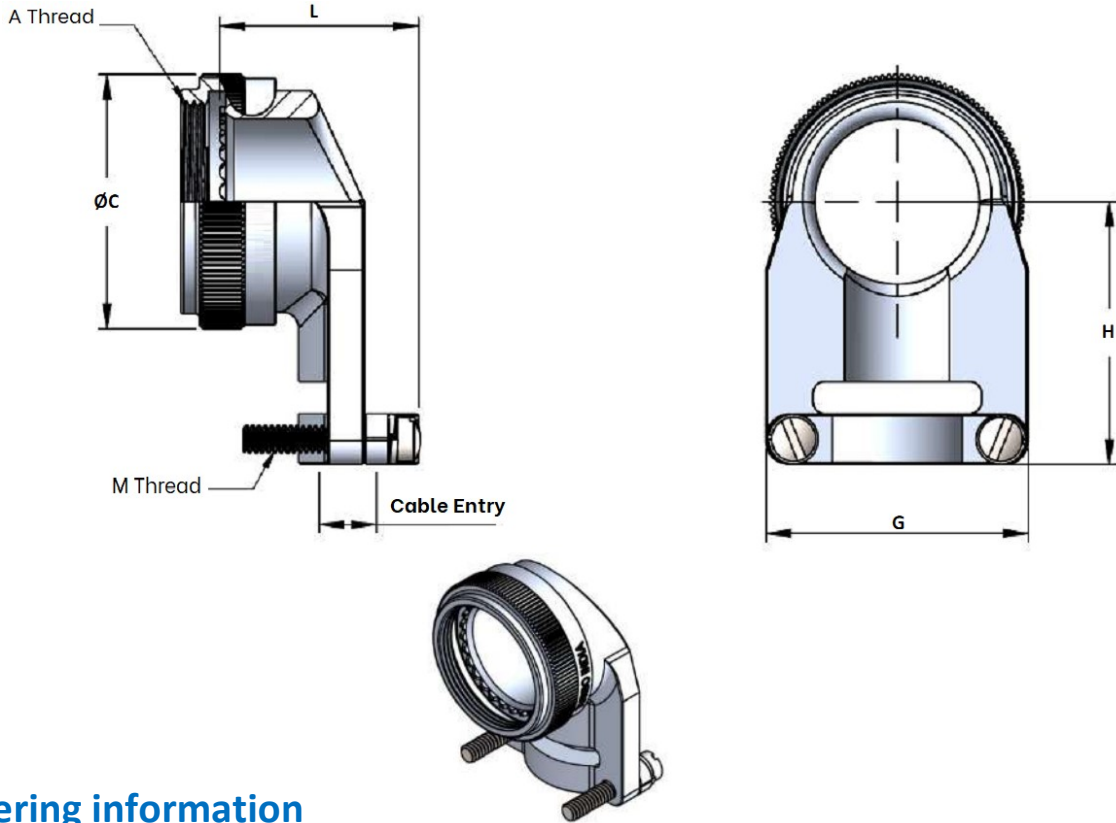
Dimensions

| Shell Size | | A Thread | Ø C MAX | Cable Entry | L MAX | G MAX | M Thread |
|-----------------|------------------------------------|------------------|---------|---------------|-------|-------|----------|
| 38999, series 1 | 38999, series 2 26482, series 1 | | | | | | |
| 09 | 08 | 7/16 - 28 UNEF | 21.80 | 2.49 – 5.94 | 23.10 | 21.60 | 6-32 |
| 11 | 10 | 9/16 - 24 UNEF | 25.00 | 3.89 – 5.94 | 23.10 | 22.90 | 6-32 |
| 13 | 12 | 11/16 - 24 UNEF | 29.35 | 4.83 – 8.33 | 25.70 | 27.90 | 6-32 |
| 15 | 14 | 13/16 - 20 UNEF | 32.54 | 6.60 – 11.61 | 26.90 | 29.20 | 6-32 |
| 17 | 16 | 15/16 - 20 UNEF | 35.70 | 7.19 – 15.60 | 29.50 | 33.00 | 6-32 |
| 19 | 18 | 1-1/16 - 18 UNEF | 38.50 | 8.26 – 16.10 | 35.80 | 38.10 | 8-32 |
| 21 | 20 | 1-3/16 - 18 UNEF | 41.65 | 8.71 – 17.73 | 38.40 | 40.60 | 8-32 |
| 23 | 22 | 1-5/16 - 18 UNEF | 44.85 | 9.68 – 20.90 | 42.20 | 43.20 | 8-32 |
| 25 | 24 | 1-7/16 - 18 UNEF | 48.00 | 10.62 – 21.67 | 44.70 | 45.70 | 8-32 |



Series ALAB

90° Strain Reliefs, spin coupling. M85049/47



Ordering information

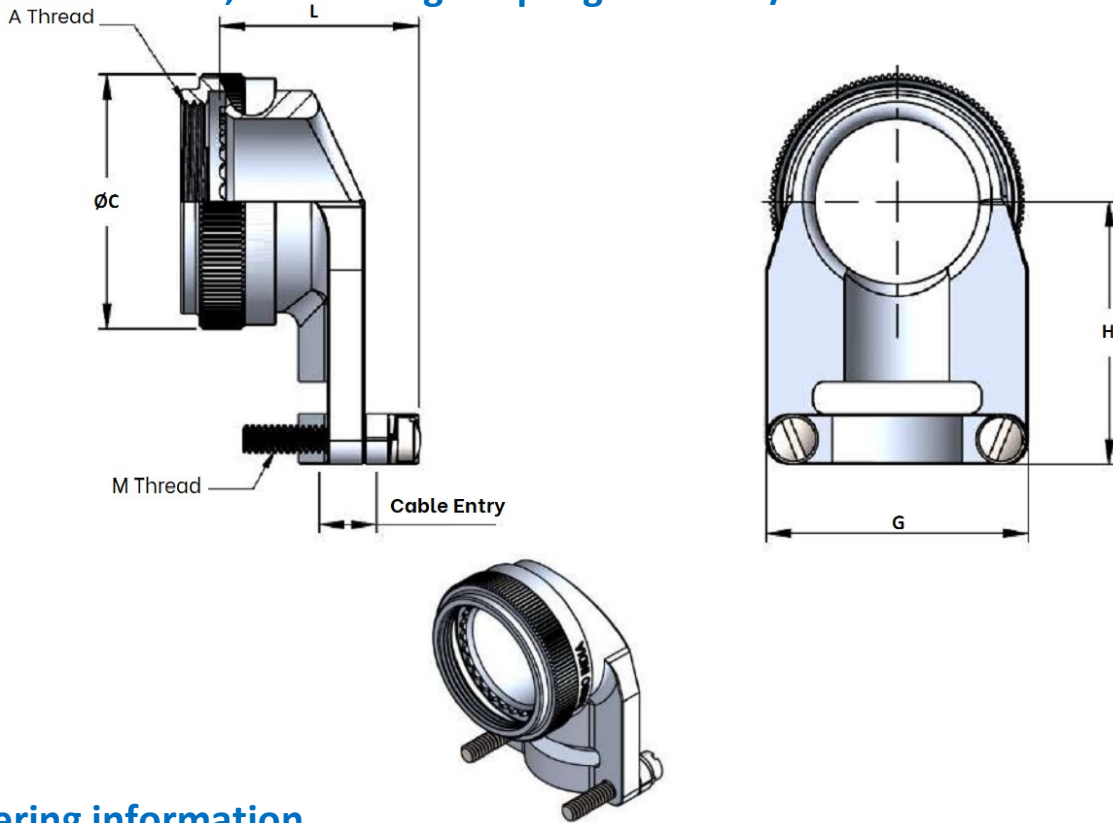
| | | | | | |
|----------------------------------|-------------|-----------|----------|----------|------------|
| Basic Series | ALAB | -F | 3 | S | -14 |
| Connector Interface: | | | | | |
| F – MIL-DTL-38999 (series 1 & 2) | | | | | |
| T – MIL-DTL-26482 (series 1) | | | | | |
| Coupling Ring Option: | | | | | |
| 3 – spin coupling | | | | | |
| Material & Finish Code | | | | | |
| Shell Size | | | | | |

Dimensions

| Shell Size | | A Thread | Ø C MAX | Cable Entry | L MAX | G MAX | H MAX | M Thread |
|--------------------|------------------------------------|------------------|------------|---------------|----------|----------|----------|-------------|
| 38999, series 1 | 38999, series 2 26482, series 1 | | | | | | | |
| 09 | 08 | 7/16 - 28 UNEF | 18.30 | 2.49 – 5.94 | 25.70 | 21.60 | 25.40 | 6-32 |
| 11 | 10 | 9/16 - 24 UNEF | 21.50 | 3.89 – 5.94 | 25.70 | 22.90 | 27.90 | 6-32 |
| 13 | 12 | 11/16 - 24 UNEF | 24.80 | 4.83 – 8.33 | 30.70 | 27.90 | 27.90 | 6-32 |
| 15 | 14 | 13/16 - 20 UNEF | 28.10 | 6.60 – 11.61 | 32.00 | 29.20 | 31.80 | 6-32 |
| 17 | 16 | 15/16 - 20 UNEF | 31.10 | 7.19 – 15.60 | 35.80 | 33.00 | 33.00 | 6-32 |
| 19 | 18 | 1-1/16 - 18 UNEF | 34.30 | 8.26 – 16.10 | 38.40 | 38.10 | 34.30 | 8-32 |
| 21 | 20 | 1-3/16 - 18 UNEF | 37.60 | 8.71 – 17.73 | 42.20 | 40.60 | 40.60 | 8-32 |
| 23 | 22 | 1-5/16 - 18 UNEF | 40.80 | 9.68 – 20.90 | 44.70 | 43.20 | 44.50 | 8-32 |
| 25 | 24 | 1-7/16 - 18 UNEF | 44.00 | 10.62 – 21.67 | 48.50 | 45.70 | 47.00 | 8-32 |

Series ALSB

90° Strain Reliefs, self locking coupling. M85049/47



Ordering information

| | | | | | |
|----------------------------------|-------------|-----------|----------|----------|------------|
| Basic Series | ALAB | -F | 5 | S | -14 |
| Connector Interface: | | | | | |
| F – MIL-DTL-38999 (series 1 & 2) | | | | | |
| T – MIL-DTL-26482 (series 1) | | | | | |
| Coupling Ring Option: | | | | | |
| 5 – self locking coupling | | | | | |
| Material & Finish Code | | | | | |
| Shell Size | | | | | |

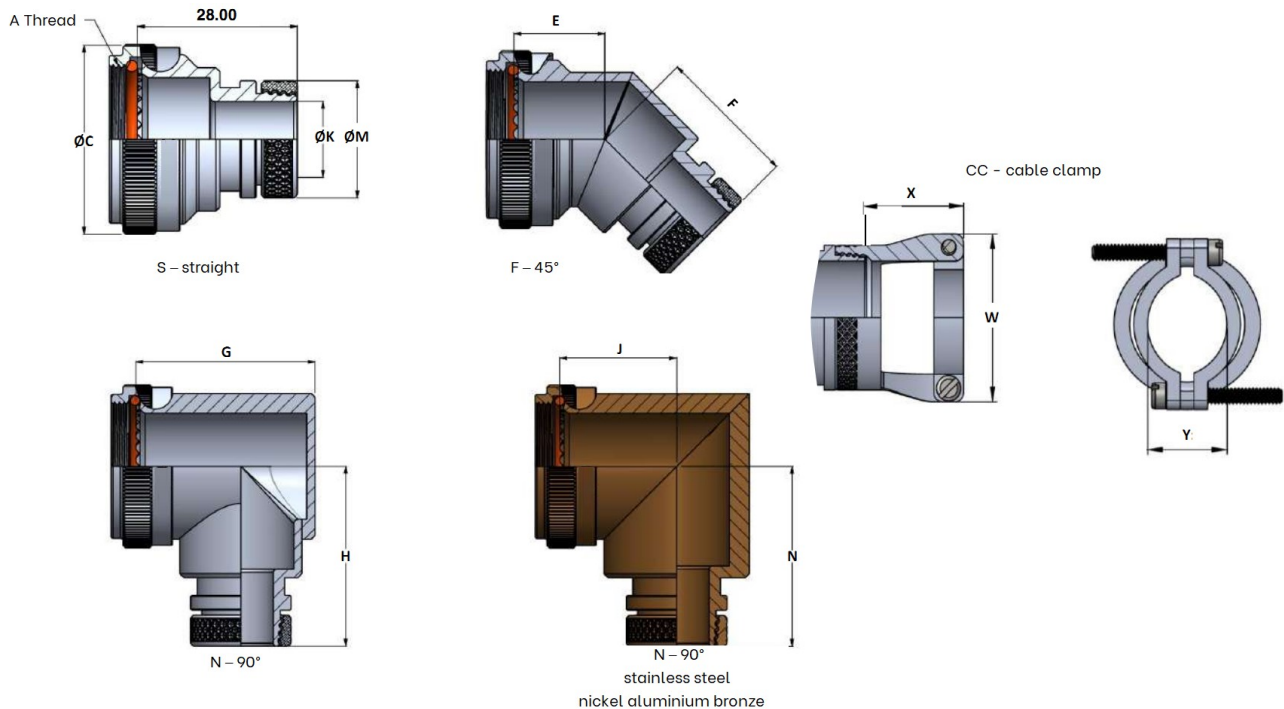
Dimensions

| Shell Size | | A Thread | Ø C MAX | Cable Entry | L MAX | G MAX | H MAX | M Thread |
|-----------------|------------------------------------|------------------|---------|---------------|-------|-------|-------|----------|
| 38999, series 1 | 38999, series 2 26482, series 1 | | | | | | | |
| 09 | 08 | 7/16 - 28 UNEF | 21.80 | 2.49 – 5.94 | 25.70 | 21.60 | 25.40 | 6-32 |
| 11 | 10 | 9/16 - 24 UNEF | 25.00 | 3.89 – 5.94 | 25.70 | 22.90 | 27.90 | 6-32 |
| 13 | 12 | 11/16 - 24 UNEF | 29.35 | 4.83 – 8.33 | 30.70 | 27.90 | 27.90 | 6-32 |
| 15 | 14 | 13/16 - 20 UNEF | 32.54 | 6.60 – 11.61 | 32.00 | 29.20 | 31.80 | 6-32 |
| 17 | 16 | 15/16 - 20 UNEF | 35.70 | 7.19 – 15.60 | 35.80 | 33.00 | 33.00 | 6-32 |
| 19 | 18 | 1-1/16 - 18 UNEF | 38.50 | 8.26 – 16.10 | 38.40 | 38.10 | 34.30 | 8-32 |
| 21 | 20 | 1-3/16 - 18 UNEF | 41.65 | 8.71 – 17.73 | 42.20 | 40.60 | 40.60 | 8-32 |
| 23 | 22 | 1-5/16 - 18 UNEF | 44.85 | 9.68 – 20.90 | 44.70 | 43.20 | 44.50 | 8-32 |
| 25 | 24 | 1-7/16 - 18 UNEF | 48.00 | 10.62 – 21.67 | 48.50 | 45.70 | 47.00 | 8-32 |



Series ALLB

EMI/RFI lamp base thread shrink boot adapters, spin coupling



Ordering information

| Basic Series | ALLB | -F | 3 | S | W | -18 | 07 | -8 | -CC |
|--|------|----|---|---|---|-----|----|----|-----|
| Connector Interface: | | | | | | | | | |
| F – MIL-DTL-38999 (series 1 & 2) | | | | | | | | | |
| T – MIL-DTL-26482 (series 1) | | | | | | | | | |
| Coupling Ring Option: | | | | | | | | | |
| 3 – spin coupling | | | | | | | | | |
| Angle Code: | | | | | | | | | |
| S – straight | | | | | | | | | |
| F – 45° | | | | | | | | | |
| N – 90° | | | | | | | | | |
| Material & Finish Code | | | | | | | | | |
| Shell Size | | | | | | | | | |
| Cable Entry Code | | | | | | | | | |
| Length Code for Straight Parts: | | | | | | | | | |
| ST – for standard length (L) – 1.10" | | | | | | | | | |
| (1/2" increment, for example 8 = 4 inches) | | | | | | | | | |
| Cable Clamp Option: | | | | | | | | | |
| CC – Cable Clamp | | | | | | | | | |
| Omit – back nut | | | | | | | | | |



Dimensions

| Shell Size | | A Thread | Ø C MAX | Cable Clamp | | | |
|-----------------|------------------------------------|------------------|------------|-------------|----------|-------|-------|
| 38999, series 1 | 38999, series 2 26482, series 1 | | | F MAX | H MAX | N MAX | |
| 09 | 08 | 7/16 - 28 UNEF | 18.30 | 25.00 | 31.50 | 31.50 | |
| 11 | 10 | 9/16 - 24 UNEF | 21.50 | 25.60 | 33.20 | 33.20 | |
| 13 | 12 | 11/16 - 24 UNEF | 24.80 | 26.00 | 34.70 | 34.70 | |
| 15 | 14 | 13/16 - 20 UNEF | 28.10 | 26.90 | 36.20 | 36.20 | |
| 17 | 16 | 15/16 - 20 UNEF | 31.10 | 27.70 | 37.90 | 37.90 | |
| 19 | 18 | 1-1/16 - 18 UNEF | 34.30 | 28.00 | 39.50 | 39.50 | |
| 21 | 20 | 1-3/16 - 18 UNEF | 37.60 | 28.90 | 41.10 | 41.10 | |
| 23 | 22 | 1-5/16 - 18 UNEF | 40.80 | 29.30 | 42.60 | 42.60 | |
| 25 | 24 | 1-7/16 - 18 UNEF | 44.00 | 30.10 | 44.10 | 44.10 | |
| Shell Size | | E MAX | G MAX | J MAX | Back Nut | | |
| 38999, series 1 | 38999, series 2 26482, series 1 | | | | F MAX | H MAX | N MAX |
| 09 | 08 | 17.90 | 24.70 | 16.00 | 20.90 | 27.00 | 27.00 |
| 11 | 10 | 18.70 | 27.20 | 18.00 | 21.60 | 28.70 | 28.70 |
| 13 | 12 | 19.10 | 30.20 | 19.00 | 22.00 | 31.50 | 31.50 |
| 15 | 14 | 20.00 | 33.20 | 21.00 | 22.90 | 31.70 | 31.70 |
| 17 | 16 | 20.70 | 36.70 | 22.50 | 23.70 | 33.50 | 33.50 |
| 19 | 18 | 21.10 | 40.70 | 24.00 | 24.00 | 35.10 | 35.10 |
| 21 | 20 | 21.90 | 43.20 | 26.00 | 24.90 | 36.70 | 36.70 |
| 23 | 22 | 22.30 | 46.20 | 27.00 | 25.30 | 38.10 | 38.10 |
| 25 | 24 | 23.20 | 49.20 | 29.00 | 26.10 | 39.60 | 39.60 |



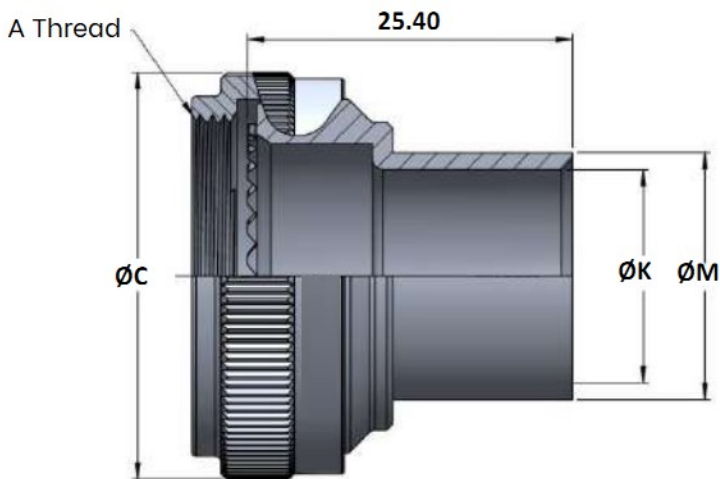
Dimensions

| Shell Size | | Cable Entry Code |
|-----------------|------------------------------------|------------------|
| 38999, series 1 | 38999, series 2 26482, series 1 | |
| 09 | 08 | 03 |
| 11 | 10 | 03 – 07 |
| 13 | 12 | 03 – 08 |
| 15 | 14 | 03 – 08 |
| 17 | 16 | 03 – 10 |
| 19 | 18 | 03 – 12 |
| 21 | 20 | 03 – 14 |
| 23 | 22 | 03 – 16 |
| 25 | 24 | 03 – 18 |

| Cable Entry Code | Ø K +0.20 | Ø M MAX | W MAX | X MAX | Y MAX |
|------------------|-----------|---------|-------|-------|-------|
| 03 | 4.70 | 15.20 | 17.50 | 12.80 | 5.80 |
| 04 | 6.30 | 15.20 | 19.10 | 12.80 | 5.70 |
| 05 | 7.90 | 16.80 | 20.70 | 12.80 | 6.80 |
| 06 | 9.50 | 18.40 | 22.30 | 12.80 | 6.90 |
| 07 | 11.10 | 20.00 | 23.80 | 12.80 | 8.10 |
| 08 | 12.70 | 21.60 | 25.30 | 15.80 | 8.50 |
| 09 | 14.20 | 23.20 | 27.00 | 15.80 | 9.70 |
| 10 | 15.80 | 24.80 | 28.60 | 15.80 | 10.40 |
| 11 | 17.40 | 26.40 | 30.30 | 18.80 | 11.50 |
| 12 | 19.00 | 27.90 | 31.80 | 18.80 | 11.50 |
| 13 | 20.60 | 29.50 | 33.30 | 18.80 | 14.00 |
| 14 | 22.20 | 31.10 | 35.00 | 21.80 | 15.40 |
| 15 | 23.80 | 32.70 | 36.70 | 21.80 | 16.80 |
| 16 | 25.40 | 34.30 | 38.10 | 21.80 | 17.30 |
| 17 | 27.00 | 35.90 | 39.70 | 21.80 | 18.80 |
| 18 | 28.60 | 37.50 | 41.30 | 21.80 | 19.50 |

Series ALCR

Crimp ring backshells, spin coupling. M85049/33-2



Ordering information

| | | | | | |
|----------------------------------|-------------|-----------|----------|----------|------------|
| Basic Series | ALCR | -F | 3 | S | -14 |
| Connector Interface: | | | | | |
| F – MIL-DTL-38999 (series 1 & 2) | | | | | |
| T – MIL-DTL-26482 (series 1) | | | | | |
| Coupling Ring Option: | | | | | |
| 3 – spin coupling | | | | | |
| Material & Finish Code | | | | | |
| Shell Size | | | | | |

Dimensions

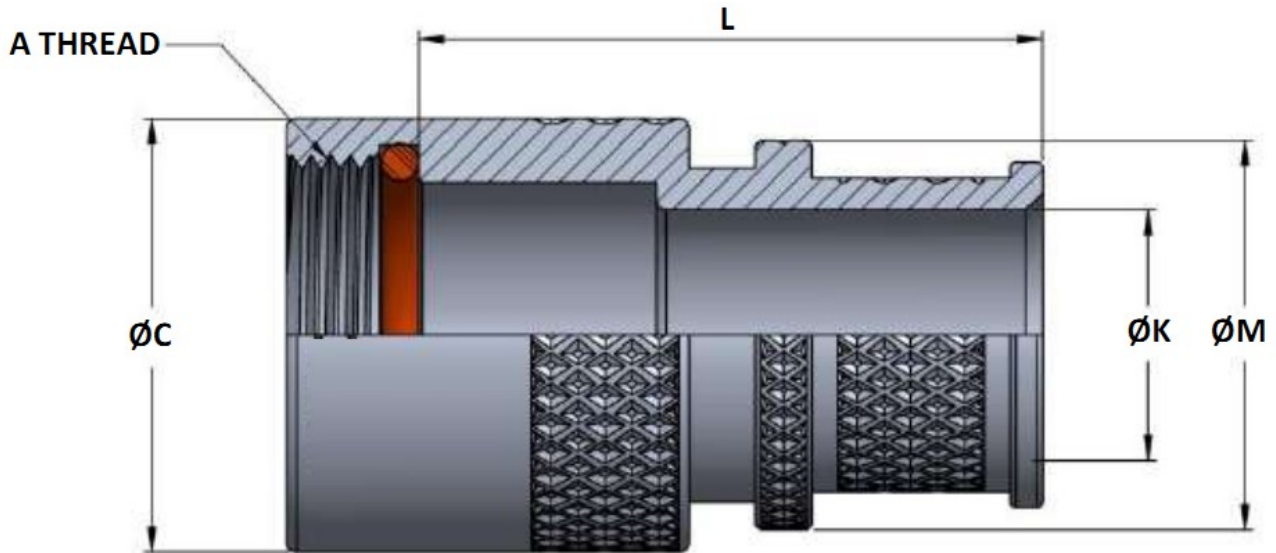
| Shell Size | | A Thread | Ø C MAX | Ø K MAX | Ø M MAX |
|-----------------|------------------------------------|------------------|---------|---------|---------|
| 38999, series 1 | 38999, series 2 26482, series 1 | | | | |
| 09 | 08 | 7/16 - 28 UNEF | 18.30 | 6.40 | 8.80 |
| 11 | 10 | 9/16 - 24 UNEF | 21.50 | 8.30 | 12.60 |
| 13 | 12 | 11/16 - 24 UNEF | 24.80 | 10.70 | 13.00 |
| 15 | 14 | 13/16 - 20 UNEF | 28.10 | 13.70 | 16.00 |
| 17 | 16 | 15/16 - 20 UNEF | 31.10 | 17.00 | 19.30 |
| 19 | 18 | 1-1/16 - 18 UNEF | 34.30 | 20.00 | 22.60 |
| 21 | 20 | 1-3/16 - 18 UNEF | 37.60 | 23.20 | 25.70 |
| 23 | 22 | 1-5/16 - 18 UNEF | 40.80 | 26.40 | 28.70 |
| 25 | 24 | 1-7/16 - 18 UNEF | 44.00 | 28.20 | 30.50 |



MIL-DTL-38999 (series 3 & 4)

Series ALBS

EMI/RFI banding and shrink boot adapters, direct coupling



Ordering information

| Basic Series | ALBS | -H | 1 | S | W | -19 | 07 | -ST | -T |
|--|------|----|---|---|---|-----|----|-----|----|
| Connector Interface: | | | | | | | | | |
| H – MIL-DTL-38999 (series 3 & 4) | | | | | | | | | |
| Coupling Ring Option: | | | | | | | | | |
| 1 – direct coupling | | | | | | | | | |
| Angle Code: | | | | | | | | | |
| S – straight | | | | | | | | | |
| Material & Finish Code | | | | | | | | | |
| Shell Size | | | | | | | | | |
| Cable Entry Code | | | | | | | | | |
| Length Code for Straight Parts: | | | | | | | | | |
| ST – for standard length (L) – 1.25" | | | | | | | | | |
| (1/2" increment, for example 8 = 4 inches) | | | | | | | | | |
| Banding Option: | | | | | | | | | |
| S – CF spring | | | | | | | | | |
| T – termination band | | | | | | | | | |
| Omit – for none | | | | | | | | | |



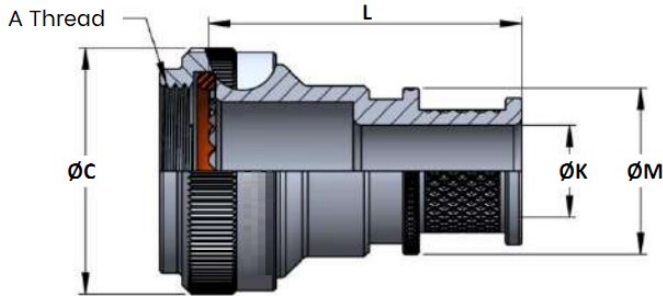
Dimensions

| Shell Size | A Thread | Ø C MAX | Cable Entry Code |
|------------|-----------|---------|------------------|
| 09 | M12 x 1.0 | 16.50 | 02 – 05 |
| 11 | M15 x 1.0 | 19.00 | 02 – 07 |
| 13 | M18 x 1.0 | 22.16 | 02 – 09 |
| 15 | M22 x 1.0 | 25.34 | 02 – 11 |
| 17 | M25 x 1.0 | 29.31 | 02 – 13 |
| 19 | M28 x 1.0 | 32.49 | 02 – 14 |
| 21 | M31 x 1.0 | 36.46 | 02 – 16 |
| 23 | M34 x 1.0 | 39.63 | 02 – 18 |
| 25 | M37 x 1.0 | 41.48 | 02 – 20 |

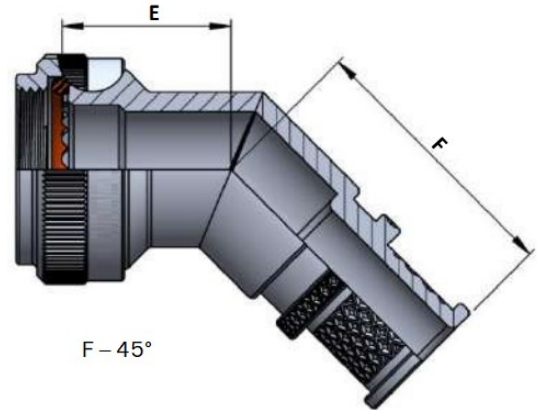
| Cable Entry Code | Ø K +0.20 | Ø M MAX |
|------------------|-----------|---------|
| 02 | 3.20 | 10.41 |
| 03 | 4.70 | 11.91 |
| 04 | 6.30 | 13.51 |
| 05 | 7.90 | 15.11 |
| 06 | 9.50 | 16.71 |
| 07 | 11.10 | 18.31 |
| 08 | 12.70 | 19.91 |
| 09 | 14.20 | 21.41 |
| 10 | 15.80 | 23.01 |
| 11 | 17.40 | 24.61 |
| 12 | 19.00 | 26.21 |
| 13 | 20.60 | 27.81 |
| 14 | 22.20 | 29.41 |
| 15 | 23.80 | 31.01 |
| 16 | 25.40 | 32.61 |
| 17 | 27.00 | 34.21 |
| 18 | 28.60 | 35.81 |
| 19 | 30.20 | 37.41 |
| 20 | 31.80 | 39.01 |

Series ALBS

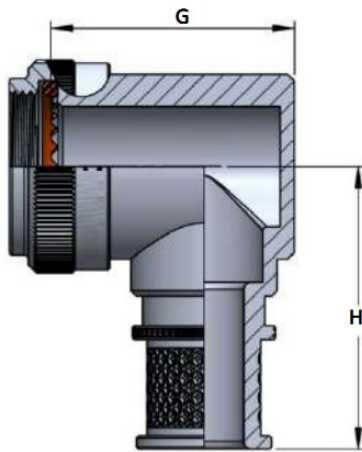
EMI/RFI banding and shrink boot adapters, spin coupling



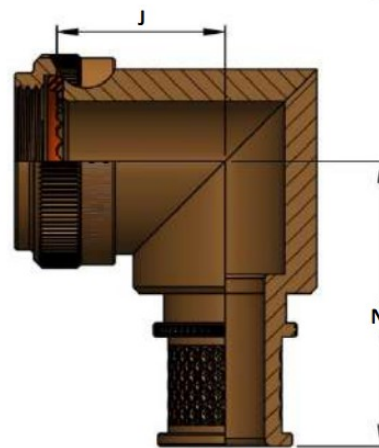
S – straight



F – 45°



N – 90°



N – 90°

stainless steel
nickel aluminium bronze

Ordering information

| Basic Series | ALBS | -H | 3 | S | W | -19 | 07 | -8 | -T |
|--|------|----|---|---|---|-----|----|----|----|
| Connector Interface: | | | | | | | | | |
| H – MIL-DTL-38999 (series 3 & 4) | | | | | | | | | |
| Coupling Ring Option: | | | | | | | | | |
| 3 – spin coupling | | | | | | | | | |
| Angle Code: | | | | | | | | | |
| S – straight | | | | | | | | | |
| F – 45° | | | | | | | | | |
| N – 90° | | | | | | | | | |
| Material & Finish Code | | | | | | | | | |
| Shell Size | | | | | | | | | |
| Cable Entry Code | | | | | | | | | |
| Length Code for Straight Parts: | | | | | | | | | |
| ST – for standard length (L) – 1.25" | | | | | | | | | |
| (1/2" increment, for example 8 = 4 inches) | | | | | | | | | |
| Banding Option: | | | | | | | | | |
| S – CF spring | | | | | | | | | |
| T – termination band | | | | | | | | | |
| Omit – for none | | | | | | | | | |



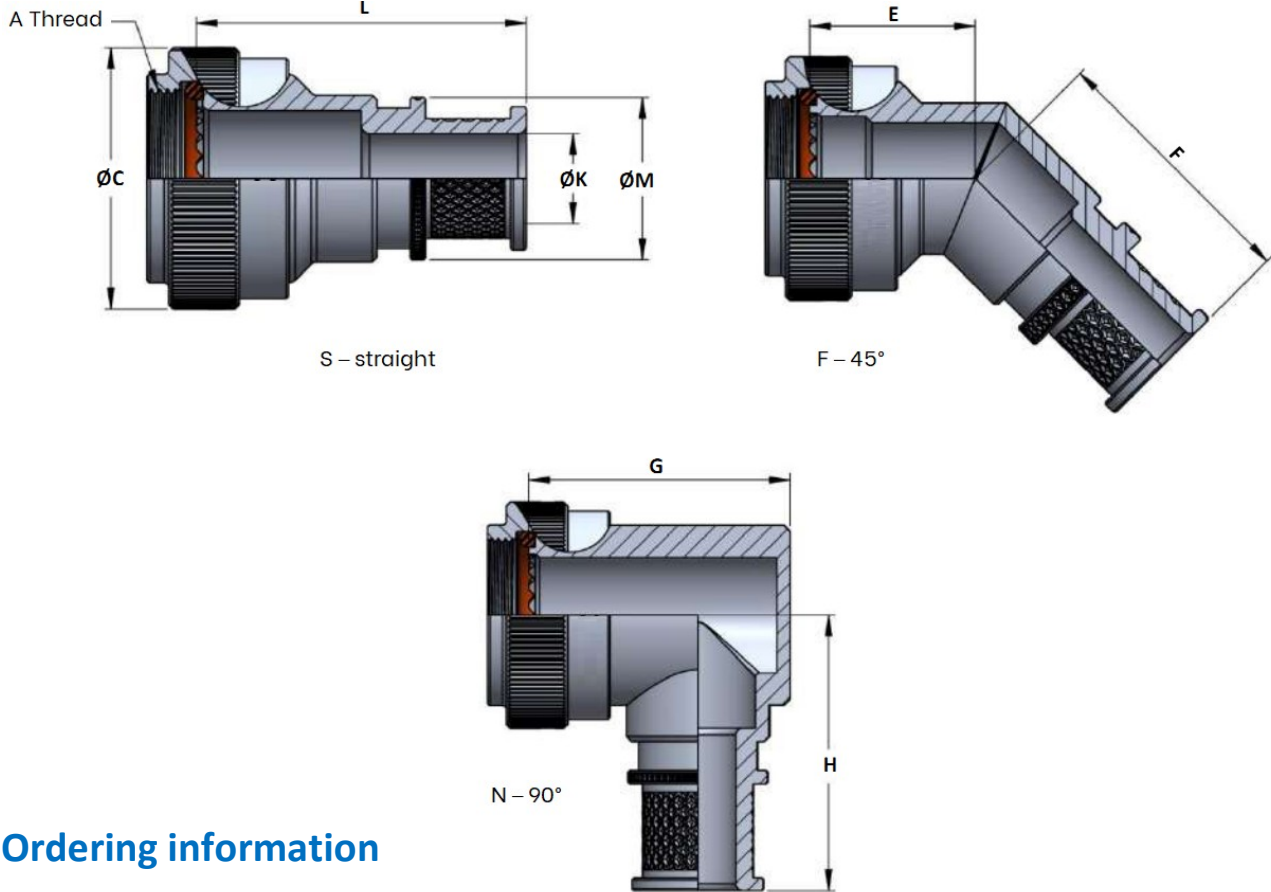
Dimensions

| Shell Size | A Thread | Ø C MAX | | Cable Entry Code | | |
|------------|-----------|---------|-------|------------------|-------|-------|
| 09 | M12 x 1.0 | 19.00 | | 02 – 05 | | |
| 11 | M15 x 1.0 | 21.80 | | 02 – 07 | | |
| 13 | M18 x 1.0 | 25.40 | | 02 – 08 | | |
| 15 | M22 x 1.0 | 29.30 | | 02 – 10 | | |
| 17 | M25 x 1.0 | 32.00 | | 04 – 12 | | |
| 19 | M28 x 1.0 | 35.40 | | 05 – 12 | | |
| 21 | M31 x 1.0 | 39.30 | | 05 – 14 | | |
| 23 | M34 x 1.0 | 41.55 | | 06 – 16 | | |
| 25 | M37 x 1.0 | 46.12 | | 07 – 20 | | |
| Shell Size | E MAX | F MAX | G MAX | H MAX | J MAX | N MAX |
| 09 | 14.10 | 26.70 | 27.70 | 31.50 | 17.40 | 33.40 |
| 11 | 14.90 | 27.90 | 28.70 | 33.20 | 18.80 | 34.60 |
| 13 | 15.50 | 28.30 | 33.20 | 34.70 | 20.60 | 35.80 |
| 15 | 16.50 | 29.20 | 39.20 | 36.20 | 22.70 | 37.60 |
| 17 | 17.10 | 30.00 | 42.20 | 37.90 | 24.30 | 39.50 |
| 19 | 17.80 | 30.30 | 46.70 | 39.50 | 26.40 | 41.30 |
| 21 | 18.10 | 31.10 | 49.70 | 41.10 | 27.10 | 43.00 |
| 23 | 18.70 | 31.50 | 52.20 | 42.60 | 28.60 | 44.40 |
| 25 | 19.40 | 32.40 | 53.70 | 44.10 | 30.10 | 45.80 |

| Cable Entry Code | Ø K +0.20 | Ø M MAX | Cable Entry Code | Ø K +0.20 | Ø M MAX |
|------------------|-----------|---------|------------------|-----------|---------|
| 02 | 3.20 | 10.41 | 12 | 19.00 | 26.21 |
| 03 | 4.70 | 11.91 | 13 | 20.60 | 27.81 |
| 04 | 6.30 | 13.51 | 14 | 22.20 | 29.41 |
| 05 | 7.90 | 15.11 | 15 | 23.80 | 31.01 |
| 06 | 9.50 | 16.71 | 16 | 25.40 | 32.61 |
| 07 | 11.10 | 18.31 | 17 | 27.00 | 34.21 |
| 08 | 12.70 | 19.91 | 18 | 28.60 | 35.81 |
| 09 | 14.20 | 21.41 | 19 | 30.20 | 37.41 |
| 10 | 15.80 | 23.01 | 20 | 31.80 | 39.01 |
| 11 | 17.40 | 24.61 | | | |

Series ALBS

EMI/RFI banding and shrink boot adapters, self locking coupling
 M85049/88, M85049/89, M85049/90



Ordering information

| Basic Series | ALBS | -H | 5 | S | W | -18 | 07 | -8 | -T |
|--|------|----|---|---|---|-----|----|----|----|
| Connector Interface: | | | | | | | | | |
| H – MIL-DTL-38999 (series 3 & 4) | | | | | | | | | |
| Coupling Ring Option: | | | | | | | | | |
| 5 – self locking coupling | | | | | | | | | |
| Angle Code: | | | | | | | | | |
| S – straight (M85049/88) | | | | | | | | | |
| F – 45° (M85049/89) | | | | | | | | | |
| N – 90° (M85049/90) | | | | | | | | | |
| Material & Finish Code | | | | | | | | | |
| Shell Size | | | | | | | | | |
| Cable Entry Code | | | | | | | | | |
| Length Code for Straight Parts: | | | | | | | | | |
| ST – for standard length (L) – 1.25" | | | | | | | | | |
| (1/2" increment, for example 8 = 4 inches) | | | | | | | | | |
| Banding Option: | | | | | | | | | |
| S – CF spring | | | | | | | | | |
| T – termination band | | | | | | | | | |
| Omit – for none | | | | | | | | | |



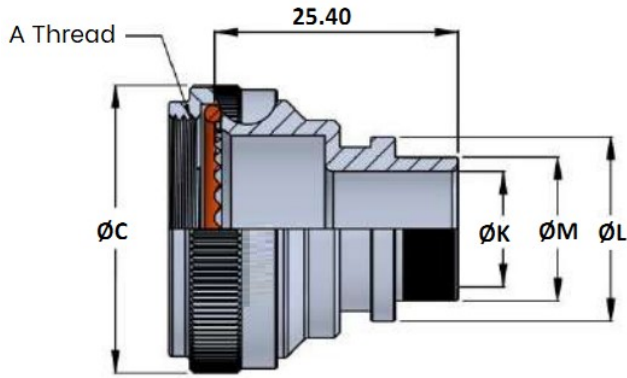
Dimensions

| Shell Size | A Thread | Ø C MAX | Cable Entry Code | |
|------------|-----------|---------|------------------|-------|
| 09 | M12 x 1.0 | 21.50 | 02 – 05 | |
| 11 | M15 x 1.0 | 24.65 | 02 – 07 | |
| 13 | M18 x 1.0 | 28.10 | 02 – 08 | |
| 15 | M22 x 1.0 | 31.50 | 02 – 10 | |
| 17 | M25 x 1.0 | 34.50 | 04 – 12 | |
| 19 | M28 x 1.0 | 37.50 | 05 – 12 | |
| 21 | M31 x 1.0 | 40.50 | 05 – 14 | |
| 23 | M34 x 1.0 | 43.50 | 06 – 16 | |
| 25 | M37 x 1.0 | 47.50 | 07 – 20 | |
| Shell Size | E MAX | F MAX | G MAX | H MAX |
| 09 | 19.60 | 26.70 | 34.90 | 31.50 |
| 11 | 20.20 | 27.90 | 36.50 | 33.20 |
| 13 | 20.80 | 28.30 | 39.70 | 34.70 |
| 15 | 21.20 | 29.20 | 42.80 | 36.20 |
| 17 | 21.00 | 30.00 | 44.50 | 37.90 |
| 19 | 22.30 | 30.30 | 47.60 | 39.50 |
| 21 | 23.00 | 31.10 | 49.20 | 41.10 |
| 23 | 23.70 | 31.50 | 52.40 | 42.60 |
| 25 | 24.30 | 32.40 | 54.00 | 44.10 |

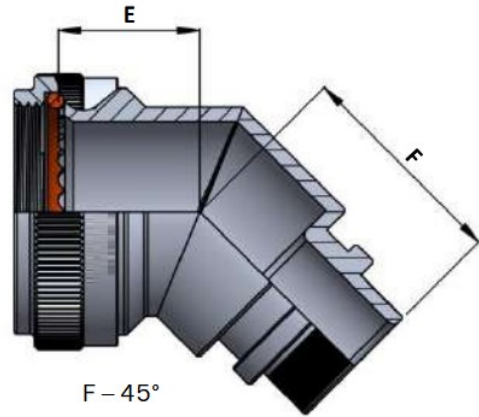
| Cable Entry Code | Ø K +0.20 | Ø M MAX | Cable Entry Code | Ø K +0.20 | Ø M MAX |
|------------------|-----------|---------|------------------|-----------|---------|
| 02 | 3.20 | 10.41 | 12 | 19.00 | 26.21 |
| 03 | 4.70 | 11.91 | 13 | 20.60 | 27.81 |
| 04 | 6.30 | 13.51 | 14 | 22.20 | 29.41 |
| 05 | 7.90 | 15.11 | 15 | 23.80 | 31.01 |
| 06 | 9.50 | 16.71 | 16 | 25.40 | 32.61 |
| 07 | 11.10 | 18.31 | 17 | 27.00 | 34.21 |
| 08 | 12.70 | 19.91 | 18 | 28.60 | 35.81 |
| 09 | 14.20 | 21.41 | 19 | 30.20 | 37.41 |
| 10 | 15.80 | 23.01 | 20 | 31.80 | 39.01 |
| 11 | 17.40 | 24.61 | | | |

Series ALMR

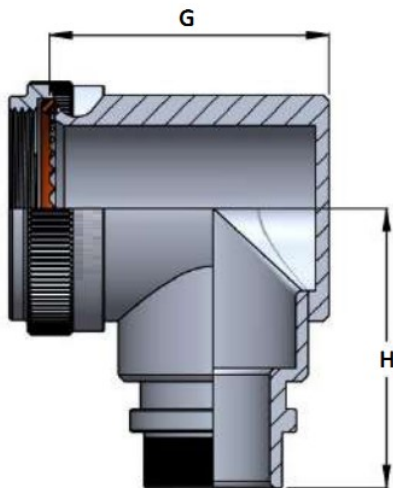
EMI/RFI memory ring shrink boot adapters, spin coupling



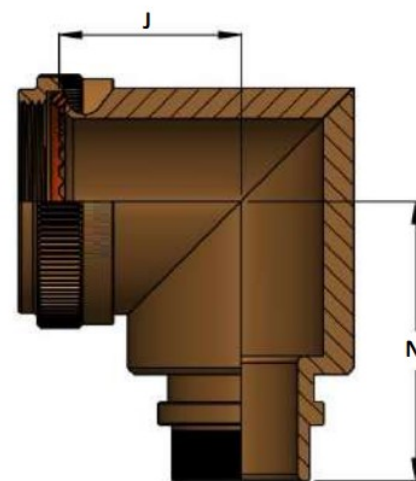
S – straight



F – 45°



N – 90°



N – 90°

stainless steel
nickel aluminium bronze

Ordering information

| Basic Series | ALMR | -H | 3 | S | W | -19 | 07 | -8 |
|--|------|----|---|---|---|-----|----|----|
| Connector Interface: | | | | | | | | |
| H – MIL-DTL-38999 (series 3 & 4) | | | | | | | | |
| Coupling Ring Option: | | | | | | | | |
| 3 – spin coupling | | | | | | | | |
| Angle Code: | | | | | | | | |
| S – straight | | | | | | | | |
| F – 45° | | | | | | | | |
| N – 90° | | | | | | | | |
| Material & Finish Code | | | | | | | | |
| Shell Size | | | | | | | | |
| Cable Entry Code | | | | | | | | |
| Length Code for Straight Parts: | | | | | | | | |
| ST – for standard length (L) – 1.00" | | | | | | | | |
| (1/2" increment, for example 8 = 4 inches) | | | | | | | | |



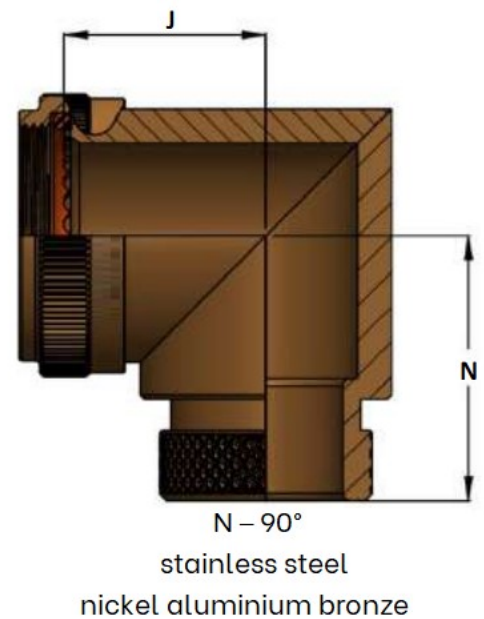
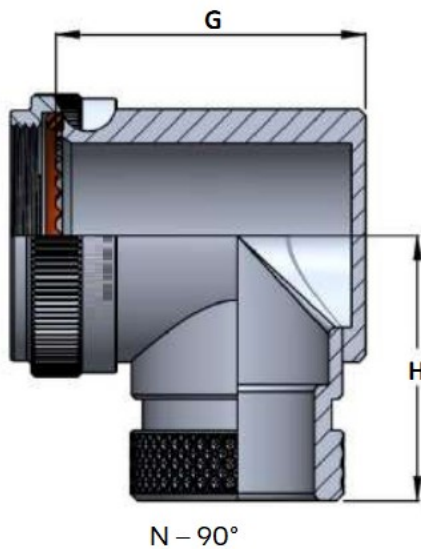
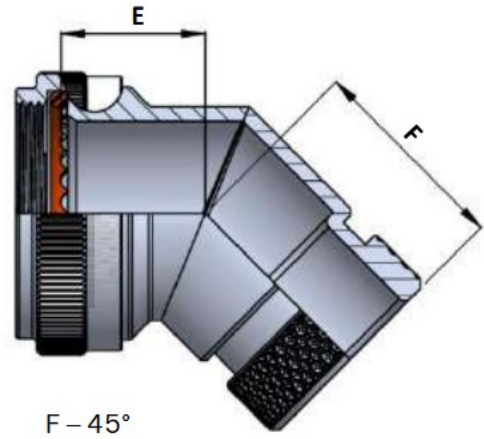
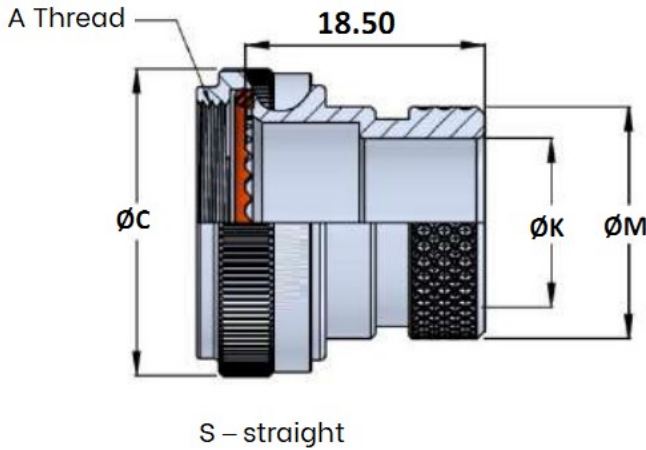
Dimensions

| Shell Size | A Thread | Ø C MAX | | Cable Entry Code | | |
|------------|-----------|---------|-------|------------------|-------|-------|
| 09 | M12 x 1.0 | 19.00 | | 04 – 05 | | |
| 11 | M15 x 1.0 | 21.80 | | 04 – 07 | | |
| 13 | M18 x 1.0 | 25.40 | | 04 – 08 | | |
| 15 | M22 x 1.0 | 29.30 | | 04 – 10 | | |
| 17 | M25 x 1.0 | 32.00 | | 04 – 12 | | |
| 19 | M28 x 1.0 | 35.40 | | 04 – 12 | | |
| 21 | M31 x 1.0 | 39.30 | | 04 – 14 | | |
| 23 | M34 x 1.0 | 41.55 | | 04 – 16 | | |
| 25 | M37 x 1.0 | 46.12 | | 04 – 20 | | |
| Shell Size | E MAX | F MAX | G MAX | H MAX | J MAX | N MAX |
| 09 | 14.10 | 27.20 | 27.70 | 27.40 | 17.40 | 27.40 |
| 11 | 14.90 | 28.10 | 28.70 | 29.20 | 18.80 | 29.20 |
| 13 | 15.50 | 28.50 | 33.20 | 30.70 | 20.60 | 30.70 |
| 15 | 16.50 | 29.50 | 39.20 | 32.20 | 22.70 | 32.20 |
| 17 | 17.10 | 30.30 | 42.20 | 33.90 | 24.30 | 33.90 |
| 19 | 17.80 | 31.10 | 46.70 | 35.50 | 26.40 | 35.50 |
| 21 | 18.10 | 31.40 | 49.70 | 37.10 | 27.10 | 37.10 |
| 23 | 18.70 | 31.70 | 52.20 | 38.60 | 28.60 | 38.60 |
| 25 | 19.40 | 32.60 | 53.70 | 40.10 | 30.10 | 40.10 |

| Cable Entry Code | Ø K +0.20 | Ø M MAX | Ø L MAX | Cable Entry Code | Ø K +0.20 | Ø M MAX | Ø L MAX |
|------------------|-----------|---------|---------|------------------|-----------|---------|---------|
| 04 | 6.30 | 9.64 | 14.14 | 12 | 19.00 | 22.34 | 26.84 |
| 05 | 7.90 | 11.24 | 15.74 | 14 | 22.20 | 25.54 | 30.04 |
| 06 | 9.50 | 12.84 | 17.34 | 16 | 25.40 | 28.74 | 33.24 |
| 07 | 11.10 | 14.44 | 18.94 | 18 | 28.60 | 31.94 | 36.44 |
| 08 | 12.70 | 16.04 | 20.54 | 20 | 31.80 | 35.14 | 39.64 |
| 10 | 15.80 | 19.14 | 23.64 | | | | |

Series ALSA

Shrink boot adapters, spin coupling. M85049/69



Ordering information

| Basic Series | ALSA | -H | 3 | S | W | -19 | DH |
|----------------------------------|------|----|---|---|---|-----|----|
| Connector Interface: | | | | | | | |
| H – MIL-DTL-38999 (series 3 & 4) | | | | | | | |
| Coupling Ring Option: | | | | | | | |
| 3 – spin coupling | | | | | | | |
| Angle Code: | | | | | | | |
| S – straight (M85049/69) | | | | | | | |
| F – 45° | | | | | | | |
| N – 90° | | | | | | | |
| Material & Finish Code | | | | | | | |
| Shell Size | | | | | | | |
| Drain Holes Option: | | | | | | | |
| DH – Drain Holes | | | | | | | |
| Omit – for none | | | | | | | |

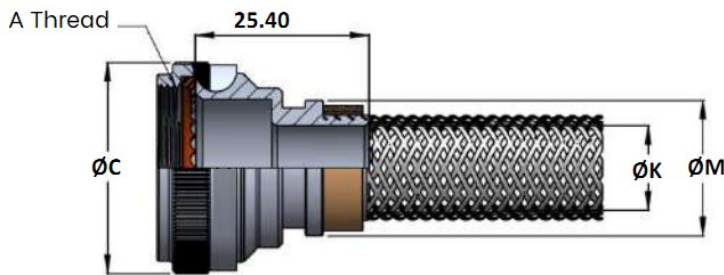


Dimensions

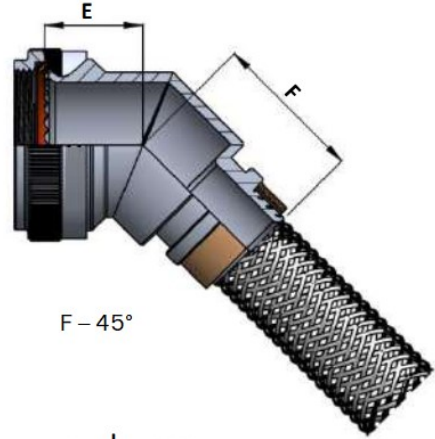
| Shell Size | A Thread | Ø C MAX | | Ø K | Ø M | |
|------------|-----------|---------|-------|-------|-------|-------|
| 09 | M12 x 1.0 | 19.00 | | 6.35 | 13.54 | |
| 11 | M15 x 1.0 | 21.80 | | 9.52 | 15.37 | |
| 13 | M18 x 1.0 | 25.40 | | 12.70 | 19.66 | |
| 15 | M22 x 1.0 | 29.30 | | 15.88 | 21.29 | |
| 17 | M25 x 1.0 | 32.00 | | 19.05 | 24.46 | |
| 19 | M28 x 1.0 | 35.40 | | 20.62 | 26.47 | |
| 21 | M31 x 1.0 | 39.30 | | 23.80 | 30.91 | |
| 23 | M34 x 1.0 | 41.55 | | 26.97 | 34.42 | |
| 25 | M37 x 1.0 | 46.12 | | 30.18 | 36.65 | |
| Shell Size | E MAX | F MAX | G MAX | H MAX | J MAX | N MAX |
| 09 | 14.10 | 18.6 | 27.70 | 26.50 | 17.40 | 26.50 |
| 11 | 14.90 | 19.40 | 28.70 | 28.30 | 18.80 | 28.30 |
| 13 | 15.50 | 20.30 | 33.20 | 29.70 | 20.60 | 29.70 |
| 15 | 16.50 | 20.60 | 39.20 | 31.20 | 22.70 | 31.20 |
| 17 | 17.10 | 21.40 | 42.20 | 32.90 | 24.30 | 32.90 |
| 19 | 17.80 | 21.80 | 46.70 | 34.50 | 26.40 | 34.50 |
| 21 | 18.10 | 22.60 | 49.70 | 36.10 | 27.10 | 36.10 |
| 23 | 18.70 | 23.50 | 52.20 | 37.70 | 28.60 | 37.70 |
| 25 | 19.40 | 23.90 | 53.70 | 39.10 | 30.10 | 39.10 |

Series ALSS

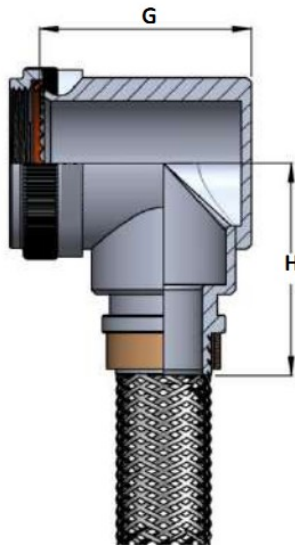
EMI/RFI shield sock shrink boot adapters, spin coupling M85049/115 & M85049/117



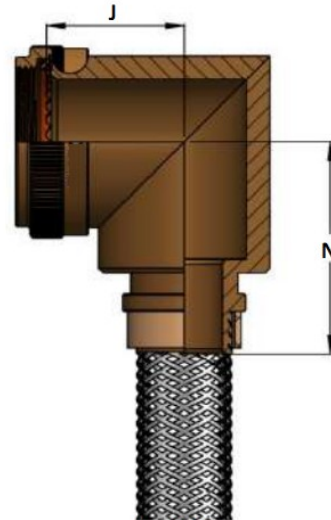
S – straight



F – 45°



N – 90°



N – 90°

stainless steel
nickel aluminium bronze

Ordering information

| Basic Series | ALSS | -H | 3 | S | W | -17 | 07 | -08 | -6 |
|---|------|----|---|---|---|-----|----|-----|----|
| Connector Interface: | | | | | | | | | |
| H – MIL-DTL-38999 (series 3 & 4) | | | | | | | | | |
| Coupling Ring Option: | | | | | | | | | |
| 3 – spin coupling | | | | | | | | | |
| Angle Code: | | | | | | | | | |
| S – straight (M85049/115) | | | | | | | | | |
| F – 45° | | | | | | | | | |
| N – 90° (M85049/117) | | | | | | | | | |
| Material & Finish Code | | | | | | | | | |
| Shell Size | | | | | | | | | |
| Cable Entry Code | | | | | | | | | |
| Braid Length Code: | | | | | | | | | |
| Standard supply will be 6.00" (custom option available in 1" increment. for example 8 = 8 inches) | | | | | | | | | |
| Length Code for Straight Parts: | | | | | | | | | |
| ST – for standard length (L) – 1.00" | | | | | | | | | |
| (1/2" increment, for example 8 = 4 inches) | | | | | | | | | |



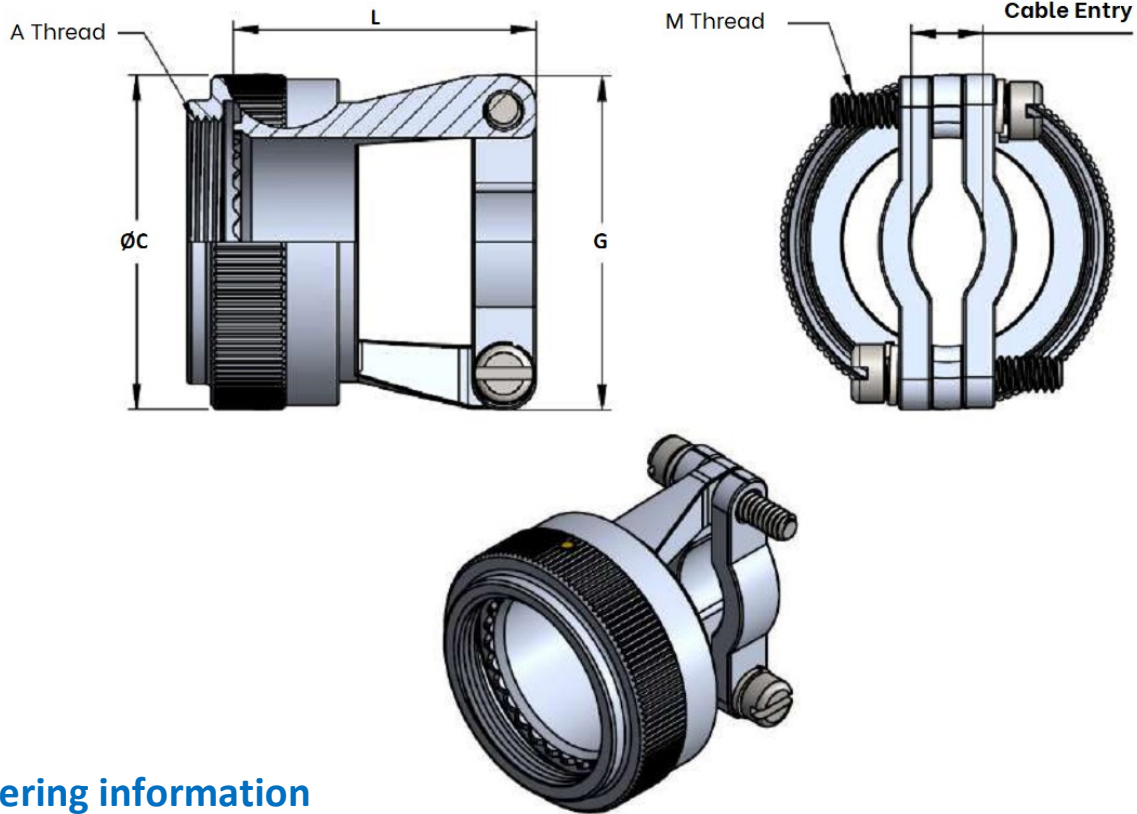
Dimensions

| Shell Size | A Thread | Ø C MAX | | Cable Entry Code | | |
|------------|-----------|---------|-------|------------------|-------|-------|
| 09 | M12 x 1.0 | 19.00 | | 03 – 04 | | |
| 11 | M15 x 1.0 | 21.80 | | 03 – 06 | | |
| 13 | M18 x 1.0 | 25.40 | | 03 – 08 | | |
| 15 | M22 x 1.0 | 29.30 | | 03 – 09 | | |
| 17 | M25 x 1.0 | 32.00 | | 03 – 11 | | |
| 19 | M28 x 1.0 | 35.40 | | 03 – 13 | | |
| 21 | M31 x 1.0 | 39.30 | | 03 – 15 | | |
| 23 | M34 x 1.0 | 41.55 | | 03 – 17 | | |
| 25 | M37 x 1.0 | 46.12 | | 03 – 18 | | |
| Shell Size | E MAX | F MAX | G MAX | H MAX | J MAX | N MAX |
| 09 | 14.10 | 18.10 | 27.70 | 25.00 | 17.40 | 25.00 |
| 11 | 14.90 | 19.20 | 28.70 | 26.70 | 18.80 | 26.70 |
| 13 | 15.50 | 19.60 | 33.20 | 28.20 | 20.60 | 28.20 |
| 15 | 16.50 | 20.50 | 39.20 | 29.70 | 22.70 | 29.70 |
| 17 | 17.10 | 21.30 | 42.20 | 31.40 | 24.30 | 31.40 |
| 19 | 17.80 | 21.80 | 46.70 | 33.00 | 26.40 | 33.00 |
| 21 | 18.10 | 22.70 | 49.70 | 34.60 | 27.10 | 34.60 |
| 23 | 18.70 | 23.00 | 52.20 | 36.10 | 28.60 | 36.10 |
| 25 | 19.40 | 23.90 | 53.70 | 37.60 | 30.10 | 37.60 |

| Cable Entry Code | Ø K +0.20 | Ø M MAX | Cable Entry Code | Ø K +0.20 | Ø M MAX |
|------------------|-----------|---------|------------------|-----------|---------|
| 03 | 4.70 | 12.40 | 11 | 17.40 | 25.10 |
| 04 | 6.30 | 14.00 | 12 | 19.00 | 26.70 |
| 05 | 7.90 | 15.60 | 13 | 20.60 | 28.30 |
| 06 | 9.50 | 17.20 | 14 | 22.20 | 29.90 |
| 07 | 11.10 | 18.80 | 15 | 23.80 | 31.50 |
| 08 | 12.70 | 20.40 | 16 | 25.40 | 33.10 |
| 09 | 14.20 | 21.90 | 17 | 27.00 | 34.70 |
| 10 | 15.80 | 23.50 | 18 | 28.60 | 36.30 |

Series ALSB

Straight Strain Reliefs, spin coupling. M85049/38



Ordering information

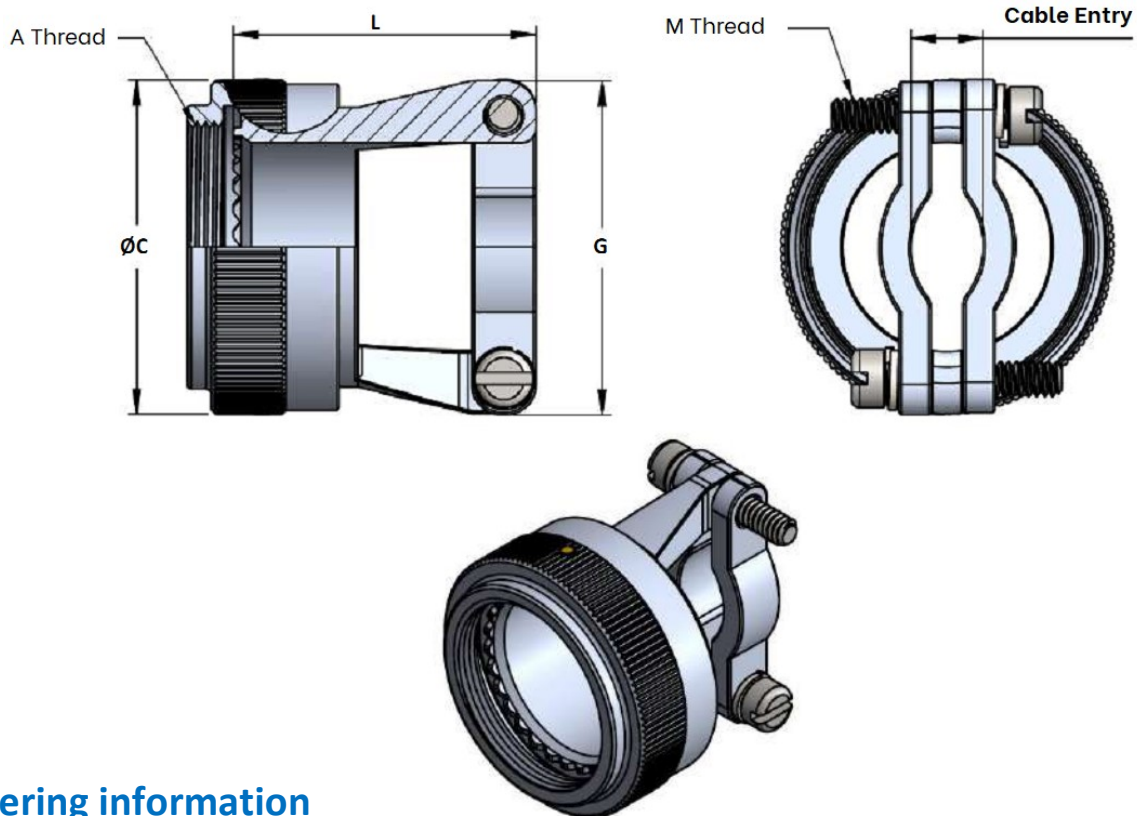
| | | | | | |
|----------------------------------|-------------|-----------|----------|----------|------------|
| Basic Series | ALSB | -H | 3 | S | -17 |
| Connector Interface: | | | | | |
| H – MIL-DTL-38999 (series 3 & 4) | | | | | |
| Coupling Ring Option: | | | | | |
| 3 – spin coupling | | | | | |
| Material & Finish Code | | | | | |
| Shell Size | | | | | |

Dimensions

| Shell Size | A Thread | Ø C MAX | Cable Entry | L MAX | G MAX | M Thread |
|------------|-----------|------------|---------------|----------|----------|----------|
| 09 | M12 x 1.0 | 19.00 | 2.49 – 5.94 | 21.80 | 21.60 | 6-32 |
| 11 | M15 x 1.0 | 21.80 | 3.89 – 5.94 | 21.80 | 22.90 | 6-32 |
| 13 | M18 x 1.0 | 25.40 | 4.83 – 8.33 | 23.00 | 27.90 | 6-32 |
| 15 | M22 x 1.0 | 29.30 | 6.60 – 11.61 | 23.00 | 29.20 | 6-32 |
| 17 | M25 x 1.0 | 32.00 | 7.19 – 15.60 | 25.00 | 33.00 | 6-32 |
| 19 | M28 x 1.0 | 35.40 | 8.26 – 16.10 | 28.00 | 38.10 | 8-32 |
| 21 | M31 x 1.0 | 39.30 | 8.71 – 17.73 | 29.50 | 40.60 | 8-32 |
| 23 | M34 x 1.0 | 41.55 | 9.68 – 20.90 | 33.00 | 43.20 | 8-32 |
| 25 | M37 x 1.0 | 46.12 | 10.62 – 21.67 | 36.00 | 45.70 | 8-32 |

Series ALSB

Straight Strain Reliefs, self locking coupling. M85049/38



Ordering information

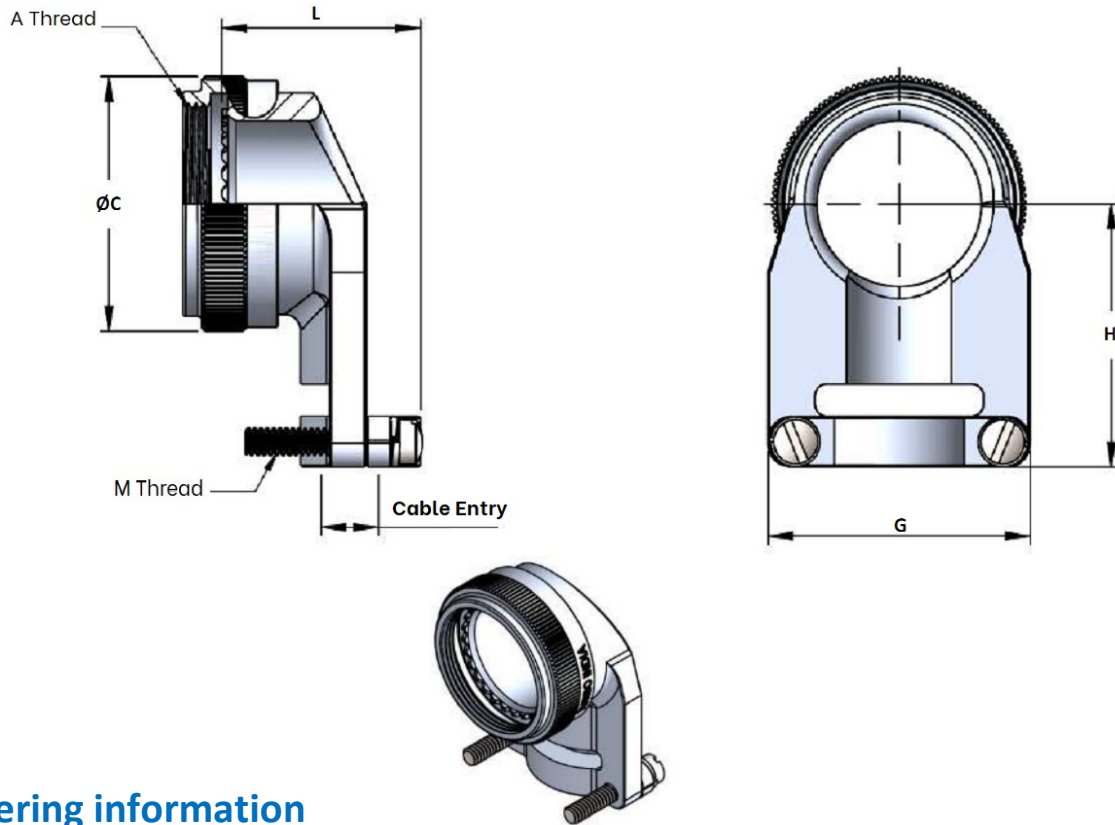
| | | | | | |
|----------------------------------|-------------|-----------|----------|----------|------------|
| Basic Series | ALSB | -H | 5 | S | -17 |
| Connector Interface: | | | | | |
| H – MIL-DTL-38999 (series 3 & 4) | | | | | |
| Coupling Ring Option: | | | | | |
| 5 – self locking coupling | | | | | |
| Material & Finish Code | | | | | |
| Shell Size | | | | | |

Dimensions

| Shell Size | A Thread | Ø C MAX | Cable Entry | L MAX | G MAX | M Thread |
|------------|-----------|------------|---------------|----------|----------|----------|
| 09 | M12 x 1.0 | 21.50 | 2.49 – 5.94 | 23.50 | 21.60 | 6-32 |
| 11 | M15 x 1.0 | 24.65 | 3.89 – 5.94 | 23.50 | 22.90 | 6-32 |
| 13 | M18 x 1.0 | 28.10 | 4.83 – 8.33 | 26.20 | 27.90 | 6-32 |
| 15 | M22 x 1.0 | 31.50 | 6.60 – 11.61 | 27.70 | 29.20 | 6-32 |
| 17 | M25 x 1.0 | 34.50 | 7.19 – 15.60 | 30.00 | 33.00 | 6-32 |
| 19 | M28 x 1.0 | 37.50 | 8.26 – 16.10 | 33.50 | 38.10 | 8-32 |
| 21 | M31 x 1.0 | 40.50 | 8.71 – 17.73 | 35.00 | 40.60 | 8-32 |
| 23 | M34 x 1.0 | 43.50 | 9.68 – 20.90 | 38.00 | 43.20 | 8-32 |
| 25 | M37 x 1.0 | 47.50 | 10.62 – 21.67 | 40.50 | 45.70 | 8-32 |

Series ALAB

90° Strain Reliefs, spin coupling. M85049/39



Ordering information

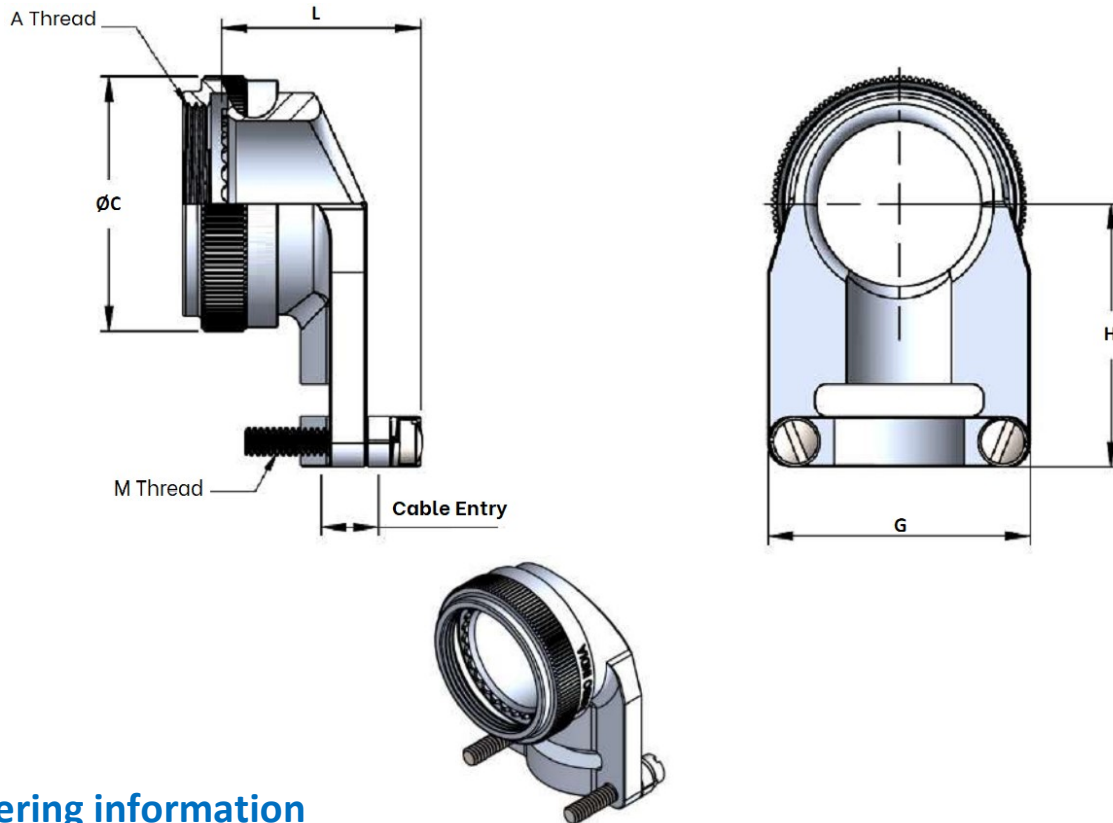
| | | | | | |
|----------------------------------|-------------|-----------|----------|----------|------------|
| Basic Series | ALAB | -H | 3 | S | -17 |
| Connector Interface: | | | | | |
| H – MIL-DTL-38999 (series 3 & 4) | | | | | |
| Coupling Ring Option: | | | | | |
| 3 – spin coupling | | | | | |
| Material & Finish Code | | | | | |
| Shell Size | | | | | |

Dimensions

| Shell Size | A Thread | Ø C MAX | Cable Entry | L MAX | G MAX | H MAX | M Thread |
|------------|-----------|------------|---------------|----------|----------|----------|----------|
| 09 | M12 x 1.0 | 19.00 | 2.49 – 5.94 | 25.70 | 21.60 | 25.40 | 6-32 |
| 11 | M15 x 1.0 | 21.80 | 3.89 – 5.94 | 25.70 | 22.90 | 27.90 | 6-32 |
| 13 | M18 x 1.0 | 25.40 | 4.83 – 8.33 | 30.70 | 27.90 | 27.90 | 6-32 |
| 15 | M22 x 1.0 | 29.30 | 6.60 – 11.61 | 32.00 | 29.20 | 31.80 | 6-32 |
| 17 | M25 x 1.0 | 32.00 | 7.19 – 15.60 | 35.80 | 33.00 | 33.00 | 6-32 |
| 19 | M28 x 1.0 | 35.40 | 8.26 – 16.10 | 38.40 | 38.10 | 34.30 | 8-32 |
| 21 | M31 x 1.0 | 39.30 | 8.71 – 17.73 | 42.20 | 40.60 | 40.60 | 8-32 |
| 23 | M34 x 1.0 | 41.55 | 9.68 – 20.90 | 44.70 | 43.20 | 44.50 | 8-32 |
| 25 | M37 x 1.0 | 46.12 | 10.62 – 21.67 | 48.50 | 45.70 | 47.00 | 8-32 |

Series ALAB

90° Strain Reliefs, self locking coupling. M85049/39



Ordering information

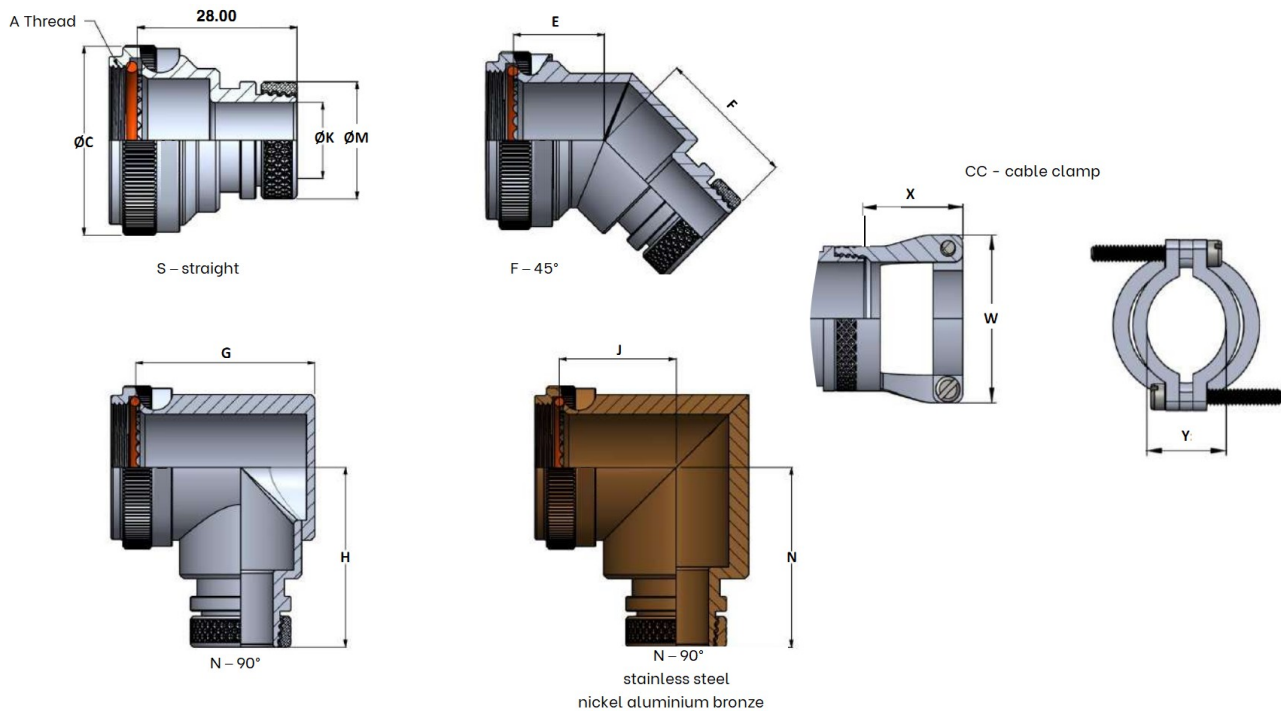
| | | | | | |
|----------------------------------|-------------|-----------|----------|----------|------------|
| Basic Series | ALAB | -H | 5 | S | -17 |
| Connector Interface: | | | | | |
| H – MIL-DTL-38999 (series 3 & 4) | | | | | |
| Coupling Ring Option: | | | | | |
| 5 – self locking coupling | | | | | |
| Material & Finish Code | | | | | |
| Shell Size | | | | | |

Dimensions

| Shell Size | A Thread | Ø C MAX | Cable Entry | L MAX | G MAX | H MAX | M Thread |
|------------|-----------|------------|---------------|----------|----------|----------|----------|
| 09 | M12 x 1.0 | 21.50 | 2.49 – 5.94 | 25.70 | 21.60 | 25.40 | 6-32 |
| 11 | M15 x 1.0 | 24.65 | 3.89 – 5.94 | 25.70 | 22.90 | 27.90 | 6-32 |
| 13 | M18 x 1.0 | 28.10 | 4.83 – 8.33 | 30.70 | 27.90 | 27.90 | 6-32 |
| 15 | M22 x 1.0 | 31.50 | 6.60 – 11.61 | 32.00 | 29.20 | 31.80 | 6-32 |
| 17 | M25 x 1.0 | 34.50 | 7.19 – 15.60 | 35.80 | 33.00 | 33.00 | 6-32 |
| 19 | M28 x 1.0 | 37.50 | 8.26 – 16.10 | 38.40 | 38.10 | 34.30 | 8-32 |
| 21 | M31 x 1.0 | 40.50 | 8.71 – 17.73 | 42.20 | 40.60 | 40.60 | 8-32 |
| 23 | M34 x 1.0 | 43.50 | 9.68 – 20.90 | 44.70 | 43.20 | 44.50 | 8-32 |
| 25 | M37 x 1.0 | 47.50 | 10.62 – 21.67 | 48.50 | 45.70 | 47.00 | 8-32 |

Series ALLB

EMI/RFI lamp base thread shrink boot adapters, spin coupling



Ordering information

| Basic Series | ALLB | -H | 3 | S | W | -19 | 07 | -8 | -CC |
|--|------|----|---|---|---|-----|----|----|-----|
| Connector Interface: | | | | | | | | | |
| H – MIL-DTL-38999 (series 3 & 4) | | | | | | | | | |
| Coupling Ring Option: | | | | | | | | | |
| 3 – spin coupling | | | | | | | | | |
| Angle Code: | | | | | | | | | |
| S – straight | | | | | | | | | |
| F – 45° | | | | | | | | | |
| N – 90° | | | | | | | | | |
| Material & Finish Code | | | | | | | | | |
| Shell Size | | | | | | | | | |
| Cable Entry Code | | | | | | | | | |
| Length Code for Straight Parts: | | | | | | | | | |
| ST – for standard length (L) – 1.10" | | | | | | | | | |
| (1/2" increment, for example 8 = 4 inches) | | | | | | | | | |
| Cable Clamp Option: | | | | | | | | | |
| CC – Cable Clamp | | | | | | | | | |
| Omit – back nut | | | | | | | | | |



Dimensions

| Shell Size | A Thread | Ø C MAX | Cable Clamp | | | |
|------------|-----------|---------|-------------|----------|-------|-------|
| | | | F MAX | H MAX | N MAX | |
| 09 | M12 x 1.0 | 19.00 | 25.00 | 31.50 | 34.70 | |
| 11 | M15 x 1.0 | 21.80 | 25.80 | 33.20 | 36.50 | |
| 13 | M18 x 1.0 | 25.40 | 26.10 | 34.70 | 38.00 | |
| 15 | M22 x 1.0 | 29.30 | 27.00 | 36.20 | 39.50 | |
| 17 | M25 x 1.0 | 32.00 | 27.90 | 37.90 | 41.20 | |
| 19 | M28 x 1.0 | 35.40 | 28.40 | 39.50 | 42.80 | |
| 21 | M31 x 1.0 | 39.30 | 29.20 | 41.10 | 44.40 | |
| 23 | M34 x 1.0 | 41.55 | 29.60 | 42.60 | 45.90 | |
| 25 | M37 x 1.0 | 46.12 | 30.40 | 44.10 | 47.40 | |
| Shell Size | E MAX | G MAX | J MAX | Back Nut | | |
| | | | | F MAX | H MAX | N MAX |
| 09 | 14.10 | 27.70 | 17.40 | 25.50 | 27.50 | 27.50 |
| 11 | 14.90 | 28.70 | 18.80 | 26.30 | 29.20 | 29.20 |
| 13 | 15.50 | 33.20 | 20.60 | 26.60 | 31.50 | 31.50 |
| 15 | 16.50 | 39.20 | 22.70 | 27.50 | 31.70 | 31.70 |
| 17 | 17.10 | 42.20 | 24.30 | 28.40 | 33.40 | 33.40 |
| 19 | 17.80 | 46.70 | 26.40 | 28.90 | 35.10 | 35.10 |
| 21 | 18.10 | 49.70 | 27.10 | 29.70 | 36.70 | 36.70 |
| 23 | 18.70 | 52.20 | 28.60 | 30.10 | 38.10 | 38.10 |
| 25 | 19.40 | 53.70 | 30.10 | 30.90 | 39.60 | 39.60 |



Dimensions

| Shell Size | Cable Entry Code |
|------------|------------------|
| 09 | 03 |
| 11 | 03 – 07 |
| 13 | 03 – 08 |
| 15 | 03 – 08 |
| 17 | 03 – 10 |
| 19 | 03 – 12 |
| 21 | 03 – 14 |
| 23 | 03 – 16 |
| 25 | 03 – 18 |

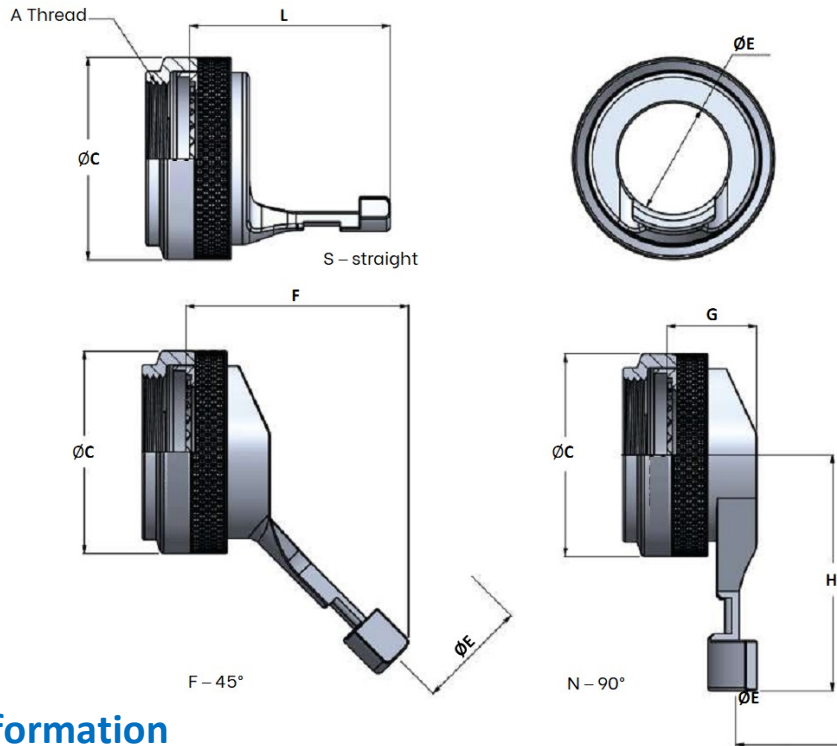
| Cable Entry Code | Ø K +0.20 | Ø M MAX | W MAX | X MAX | Y MAX |
|------------------|-----------|---------|-------|-------|-------|
| 03 | 4.70 | 15.20 | 17.50 | 12.80 | 5.80 |
| 04 | 6.30 | 15.20 | 19.10 | 12.80 | 5.70 |
| 05 | 7.90 | 16.80 | 20.70 | 12.80 | 6.80 |
| 06 | 9.50 | 18.40 | 22.30 | 12.80 | 6.90 |
| 07 | 11.10 | 20.00 | 23.80 | 12.80 | 8.10 |
| 08 | 12.70 | 21.60 | 25.30 | 15.80 | 8.50 |
| 09 | 14.20 | 23.20 | 27.00 | 15.80 | 9.70 |
| 10 | 15.80 | 24.80 | 28.60 | 15.80 | 10.40 |
| 11 | 17.40 | 26.40 | 30.30 | 18.80 | 11.50 |
| 12 | 19.00 | 27.90 | 31.80 | 18.80 | 11.50 |
| 13 | 20.60 | 29.50 | 33.30 | 18.80 | 14.00 |
| 14 | 22.20 | 31.10 | 35.00 | 21.80 | 15.40 |
| 15 | 23.80 | 32.70 | 36.70 | 21.80 | 16.80 |
| 16 | 25.40 | 34.30 | 38.10 | 21.80 | 17.30 |
| 17 | 27.00 | 35.90 | 39.70 | 21.80 | 18.80 |
| 18 | 28.60 | 37.50 | 41.30 | 21.80 | 19.50 |



Series ALQT

Qwik-Ty Strain Reliefs, spin coupling

M85049/15 & M85049/16. Termination Band MS3367-1 (or equivalent)



Ordering information

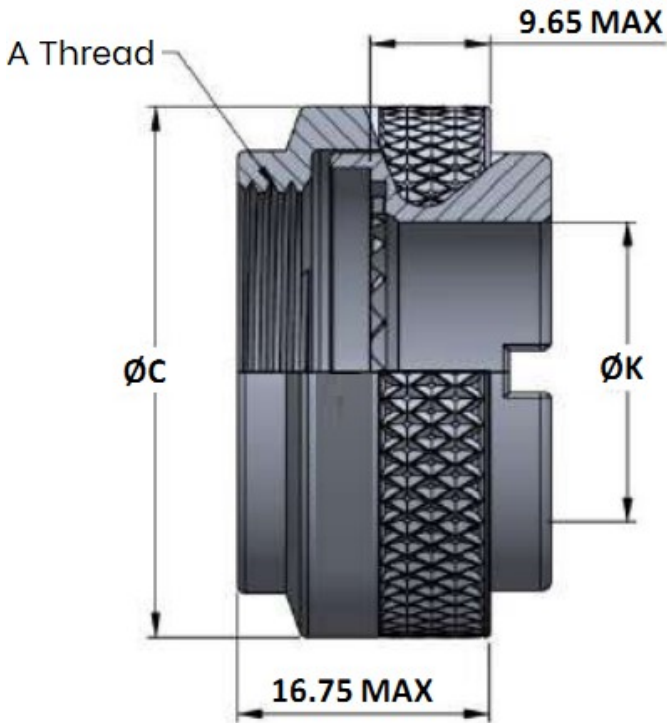
| | | | | | | |
|----------------------------------|-------------|-----------|----------|----------|----------|------------|
| Basic Series | ALQT | -H | 3 | S | W | -19 |
| Connector Interface: | | | | | | |
| H – MIL-DTL-38999 (series 3 & 4) | | | | | | |
| Coupling Ring Option: | | | | | | |
| 3 – spin coupling | | | | | | |
| Angle Code: | | | | | | |
| S – straight | | | | | | |
| F – 45° (M85049/15) | | | | | | |
| N – 90° (M85049/16) | | | | | | |
| Material & Finish Code | | | | | | |
| Shell Size | | | | | | |

Dimensions

| Shell Size | A Thread | Ø C MAX | L MAX | F MAX | H MAX | Ø E +0.20 |
|------------|-----------|---------|-------|-------|-------|-----------|
| 09 | M12 x 1.0 | 19.00 | 22.80 | 27.90 | 22.60 | 6.40 |
| 11 | M15 x 1.0 | 21.80 | 22.80 | 27.90 | 24.10 | 9.70 |
| 13 | M18 x 1.0 | 25.40 | 24.30 | 27.90 | 27.20 | 12.70 |
| 15 | M22 x 1.0 | 29.30 | 28.80 | 31.00 | 33.80 | 16.00 |
| 17 | M25 x 1.0 | 32.00 | 28.80 | 31.90 | 35.30 | 19.10 |
| 19 | M28 x 1.0 | 35.40 | 30.70 | 31.90 | 37.60 | 21.30 |
| 21 | M31 x 1.0 | 39.30 | 34.00 | 31.90 | 42.20 | 24.60 |
| 23 | M34 x 1.0 | 41.55 | 37.00 | 31.90 | 47.00 | 27.70 |
| 25 | M37 x 1.0 | 46.12 | 40.30 | 31.90 | 48.50 | 31.00 |

Series ALBN

Back Nuts, spin coupling. M85049/14



Ordering information

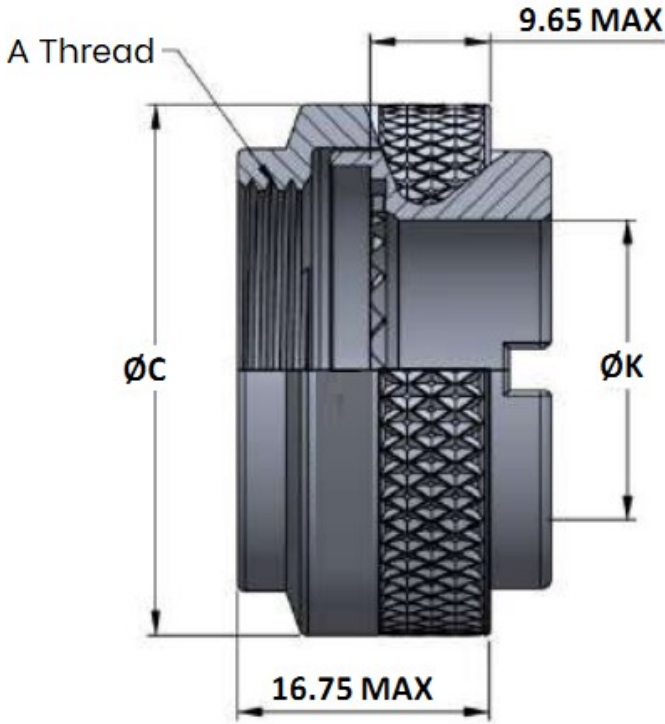
| | | | | | | |
|----------------------------------|-------------|-----------|----------|----------|----------|------------|
| Basic Series | ALBN | -H | 3 | S | W | -19 |
| Connector Interface: | | | | | | |
| H – MIL-DTL-38999 (series 3 & 4) | | | | | | |
| Coupling Ring Option: | | | | | | |
| 3 – spin coupling | | | | | | |
| Angle Code: | | | | | | |
| S – straight | | | | | | |
| Material & Finish Code | | | | | | |
| Shell Size | | | | | | |

Dimensions

| Shell Size | A Thread | Ø C MAX | Ø K MAX |
|------------|-----------|---------|---------|
| 09 | M12 x 1.0 | 19.00 | 6.75 |
| 11 | M15 x 1.0 | 21.80 | 9.90 |
| 13 | M18 x 1.0 | 25.40 | 12.80 |
| 15 | M22 x 1.0 | 29.30 | 15.98 |
| 17 | M25 x 1.0 | 32.00 | 19.15 |
| 19 | M28 x 1.0 | 35.40 | 21.45 |
| 21 | M31 x 1.0 | 39.30 | 24.65 |
| 23 | M34 x 1.0 | 41.55 | 27.75 |
| 25 | M37 x 1.0 | 46.12 | 30.95 |

Series ALBN

Back Nuts, self locking coupling. M85049/14



Ordering information

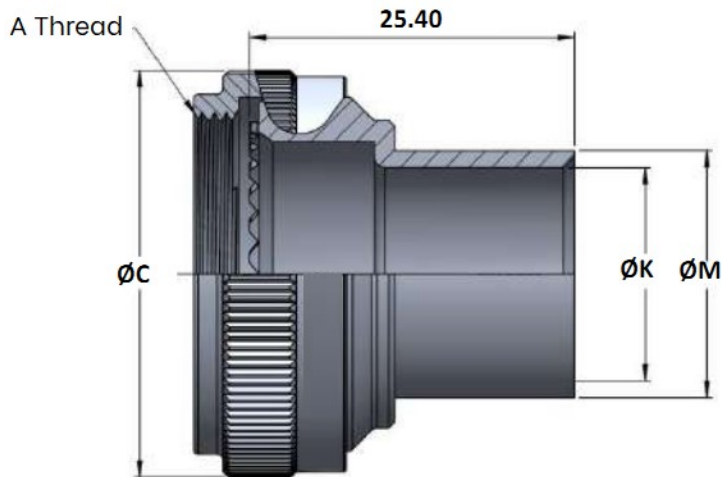
| Basic Series | ALBN | -H | 3 | S | W | -19 |
|----------------------------------|------|----|---|---|---|-----|
| Connector Interface: | | | | | | |
| H – MIL-DTL-38999 (series 3 & 4) | | | | | | |
| Coupling Ring Option: | | | | | | |
| 5 – self locking coupling | | | | | | |
| Angle Code: | | | | | | |
| S – straight | | | | | | |
| Material & Finish Code | | | | | | |
| Shell Size | | | | | | |

Dimensions

| Shell Size | A Thread | Ø C MAX | Ø K MAX |
|------------|-----------|---------|---------|
| 09 | M12 x 1.0 | 21.50 | 6.75 |
| 11 | M15 x 1.0 | 24.65 | 9.90 |
| 13 | M18 x 1.0 | 28.10 | 12.80 |
| 15 | M22 x 1.0 | 31.50 | 15.98 |
| 17 | M25 x 1.0 | 34.50 | 19.15 |
| 19 | M28 x 1.0 | 37.50 | 21.45 |
| 21 | M31 x 1.0 | 40.50 | 24.65 |
| 23 | M34 x 1.0 | 43.50 | 27.75 |
| 25 | M37 x 1.0 | 47.50 | 30.95 |

Series ALCR

Crimp ring backshells, spin coupling. M85049/20



Ordering information

| Basic Series | ALBN | -H | 3 | W | -15 |
|--|------|----|---|---|-----|
| Connector Interface: H – MIL-DTL-38999 (series 3 & 4) | | | | | |
| Coupling Ring Option: 3 – spin coupling | | | | | |
| Material & Finish Code | | | | | |
| Shell Size | | | | | |

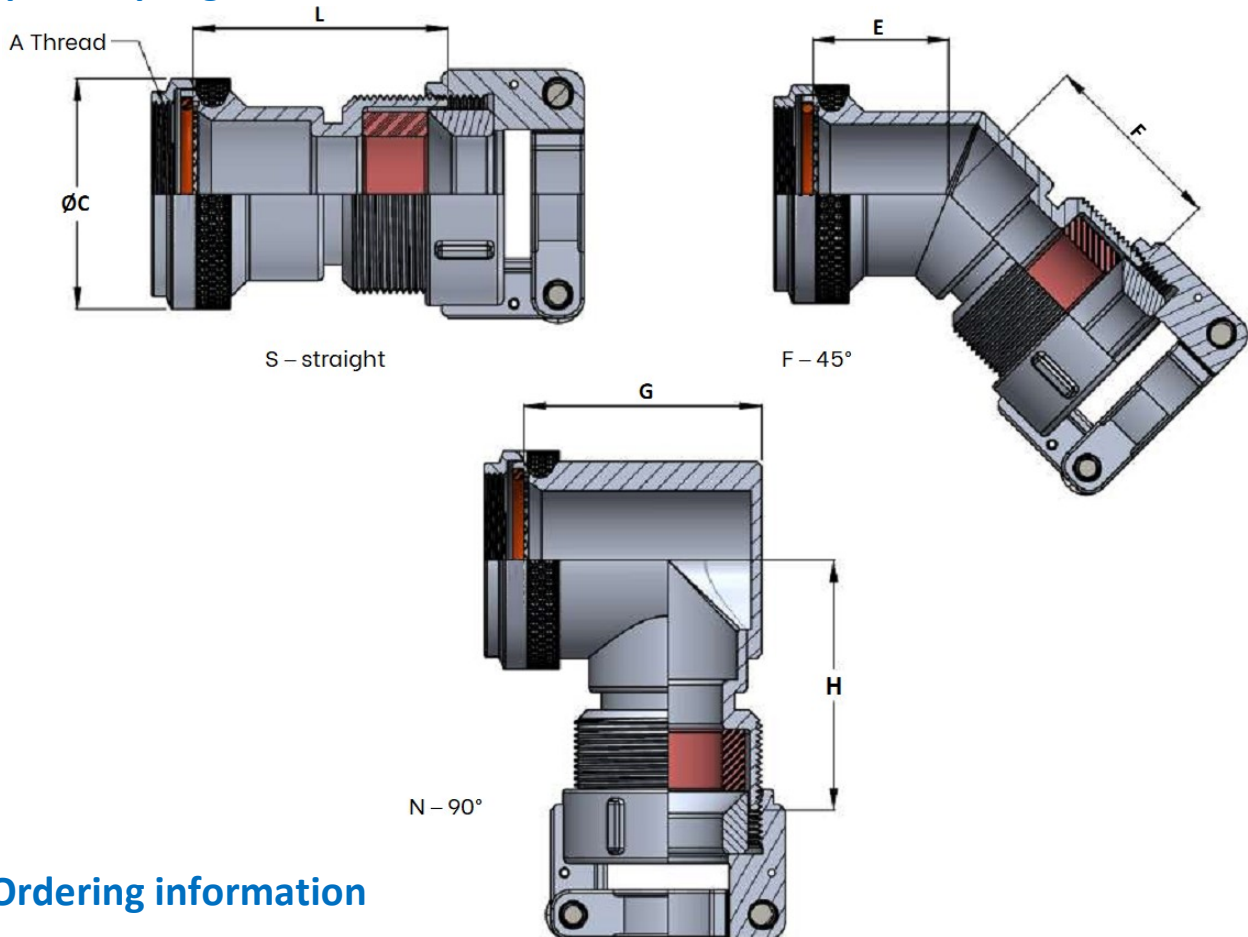
Dimensions

| Shell Size | A Thread | Ø C MAX | Ø K MAX | Ø M MAX |
|------------|-----------|---------|---------|---------|
| 09 | M12 x 1.0 | 19.00 | 6.40 | 8.80 |
| 11 | M15 x 1.0 | 21.80 | 8.30 | 12.60 |
| 13 | M18 x 1.0 | 25.40 | 10.70 | 13.00 |
| 15 | M22 x 1.0 | 29.30 | 13.70 | 16.00 |
| 17 | M25 x 1.0 | 32.00 | 17.00 | 19.30 |
| 19 | M28 x 1.0 | 35.40 | 20.00 | 22.60 |
| 21 | M31 x 1.0 | 39.30 | 23.20 | 25.70 |
| 23 | M34 x 1.0 | 41.55 | 26.40 | 28.70 |
| 25 | M37 x 1.0 | 46.12 | 28.20 | 30.50 |



Series ALCCB-01

Submersible backshells with strain relief, environmental, non screened spin coupling

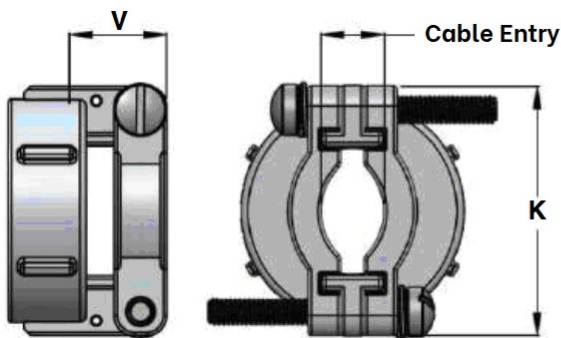


Ordering information

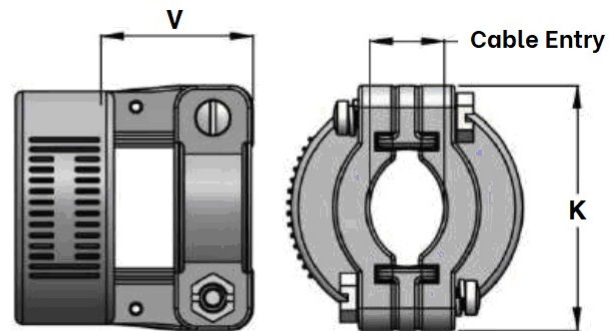
| | | | | | | | | | |
|--|-----------------|-----------|----------|----------|----------|------------|-----------|-----------|-----------|
| Basic Series | ALCCB-01 | -H | 3 | S | W | -19 | 07 | -A | -6 |
| Connector Interface: | | | | | | | | | |
| H – MIL-DTL-38999 (series 3 & 4) | | | | | | | | | |
| Coupling Ring Option: | | | | | | | | | |
| 3 – spin coupling | | | | | | | | | |
| Angle Code: | | | | | | | | | |
| S – straight | | | | | | | | | |
| F – 45° | | | | | | | | | |
| N – 90° | | | | | | | | | |
| Material & Finish Code | | | | | | | | | |
| Shell Size | | | | | | | | | |
| Cable Entry Code | | | | | | | | | |
| Cable Clamp Type: | | | | | | | | | |
| A – MS3057A | | | | | | | | | |
| D – MS3057D | | | | | | | | | |
| Length Code for Straight Parts: | | | | | | | | | |
| ST – for standard length (L) – 1.50" | | | | | | | | | |
| (1/2" increment, for example 8 = 4 inches) | | | | | | | | | |

Dimensions

| Shell Size | A Thread | Ø C MAX | E MAX | F MAX | G MAX | H MAX | Cable Entry Code |
|------------|-----------|---------|-------|-------|-------|-------|------------------|
| 09 | M12 x 1.0 | 19.00 | 14.10 | 35.80 | 27.70 | 36.10 | 03 – 05 |
| 11 | M15 x 1.0 | 21.80 | 14.90 | 37.30 | 28.70 | 39.10 | 03 – 05 |
| 13 | M18 x 1.0 | 25.40 | 15.50 | 38.90 | 33.20 | 39.60 | 03 – 07 |
| 15 | M22 x 1.0 | 29.30 | 16.50 | 41.10 | 39.20 | 41.40 | 03 – 10 |
| 17 | M25 x 1.0 | 32.00 | 17.10 | 43.90 | 42.20 | 48.00 | 03 – 12 |
| 19 | M28 x 1.0 | 35.40 | 17.80 | 48.80 | 46.70 | 50.80 | 03 – 12 |
| 21 | M31 x 1.0 | 39.30 | 18.10 | 50.10 | 49.70 | 50.80 | 03 – 16 |
| 23 | M34 x 1.0 | 41.55 | 18.70 | 52.60 | 52.20 | 50.80 | 03 – 16 |
| 25 | M37 x 1.0 | 46.12 | 19.40 | 54.00 | 53.70 | 50.80 | 03 – 20 |



Cable Clamp Type MS3057A



Cable Clamp Type MS3057D

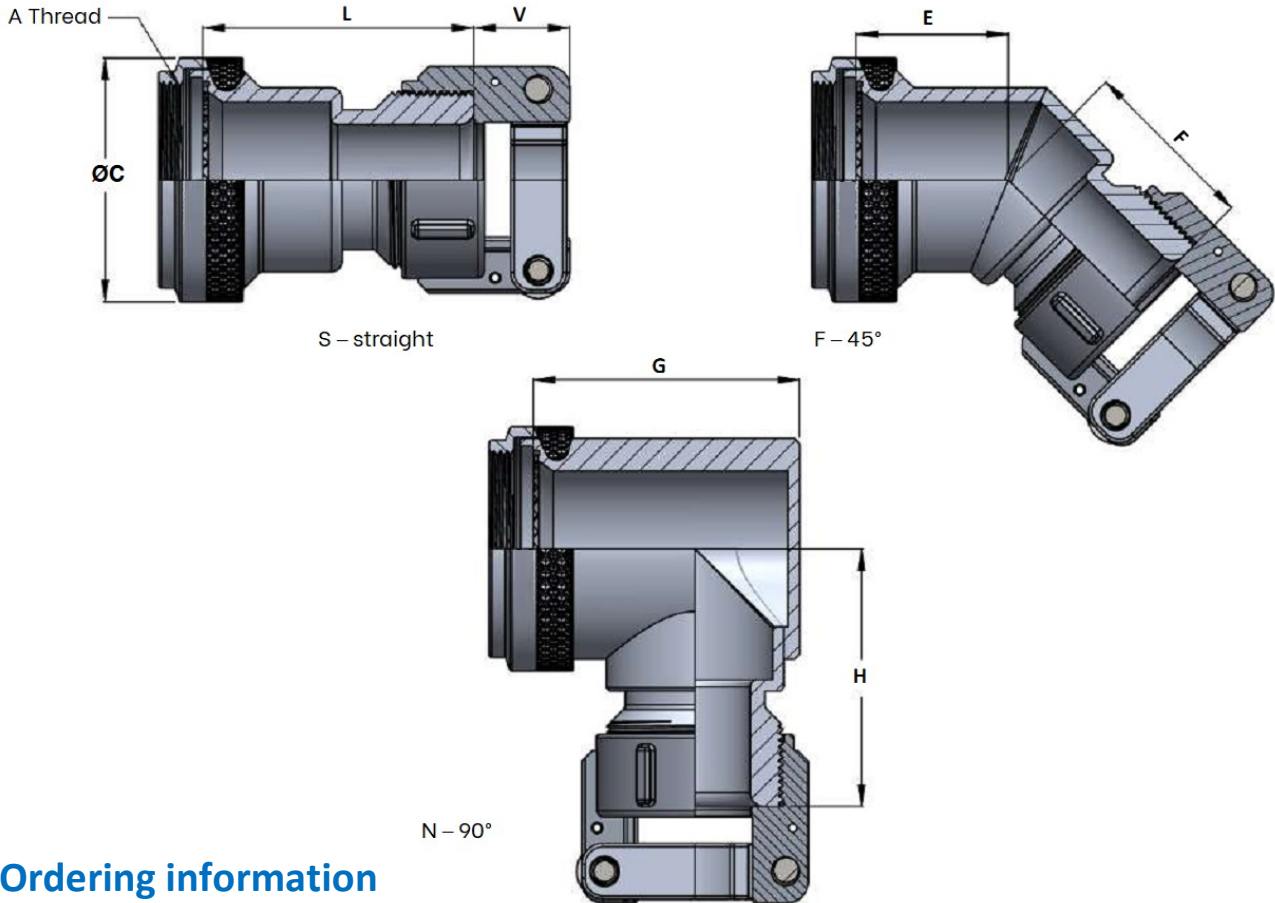
| Cable Entry Code | Cable Entry MAX | K MAX | V MAX |
|------------------|-----------------|-------|-------|
| | | | |
| 04 | 7.90 | 23.00 | 11.10 |
| 06 | 11.10 | 27.80 | 12.70 |
| 08 | 14.30 | 30.20 | 14.30 |
| 10 | 15.90 | 32.60 | 14.30 |
| 12 | 19.10 | 38.10 | 14.30 |
| 16 | 23.80 | 43.70 | 16.70 |
| 20 | 31.80 | 52.40 | 16.70 |

| Cable Entry Code | Cable Entry | | K MAX | V MAX |
|------------------|-------------|-------|-------|-------|
| | MIN | MAX | | |
| 04 | 3.20 | 7.90 | 24.30 | 19.80 |
| 06 | 6.40 | 11.10 | 29.10 | 19.80 |
| 08 | 9.80 | 14.30 | 33.80 | 19.80 |
| 10 | 8.90 | 15.90 | 33.80 | 19.80 |
| 12 | 12.70 | 19.10 | 39.40 | 20.60 |
| 16 | 15.90 | 23.80 | 45.00 | 23.00 |
| 20 | 22.20 | 31.80 | 53.70 | 27.70 |



Series ALCCB-02

Submersible backshells with strain relief, non environmental, non screened, spin coupling

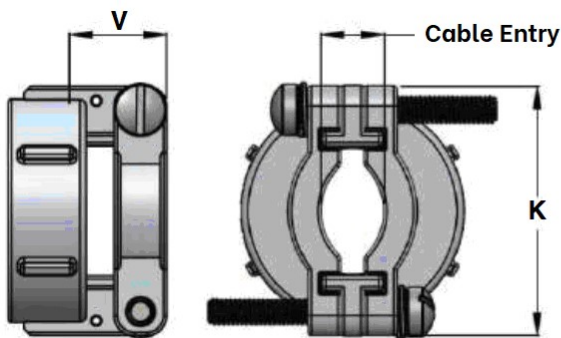


Ordering information

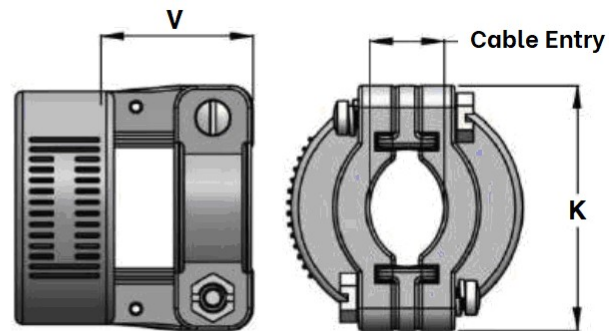
| | | | | | | | | | |
|--|-----------------|-----------|----------|----------|----------|------------|-----------|-----------|-----------|
| Basic Series | ALCCB-02 | -H | 3 | S | W | -19 | 07 | -A | -6 |
| Connector Interface: | | | | | | | | | |
| H – MIL-DTL-38999 (series 3 & 4) | | | | | | | | | |
| Coupling Ring Option: | | | | | | | | | |
| 3 – spin coupling | | | | | | | | | |
| Angle Code: | | | | | | | | | |
| S – straight | | | | | | | | | |
| F – 45° | | | | | | | | | |
| N – 90° | | | | | | | | | |
| Material & Finish Code | | | | | | | | | |
| Shell Size | | | | | | | | | |
| Cable Entry Code | | | | | | | | | |
| Cable Clamp Type: | | | | | | | | | |
| A – MS3057A | | | | | | | | | |
| D – MS3057D | | | | | | | | | |
| Length Code for Straight Parts: | | | | | | | | | |
| ST – for standard length (L) – 1.50" | | | | | | | | | |
| (1/2" increment, for example 8 = 4 inches) | | | | | | | | | |

Dimensions

| Shell Size | A Thread | Ø C MAX | E MAX | F MAX | G MAX | H MAX | Cable Entry Code |
|------------|-----------|---------|-------|-------|-------|-------|------------------|
| 09 | M12 x 1.0 | 19.00 | 14.10 | 22.40 | 27.70 | 29.70 | 03 – 05 |
| 11 | M15 x 1.0 | 21.80 | 14.90 | 23.10 | 28.70 | 31.20 | 03 – 05 |
| 13 | M18 x 1.0 | 25.40 | 15.50 | 23.60 | 33.20 | 32.80 | 03 – 07 |
| 15 | M22 x 1.0 | 29.30 | 16.50 | 24.40 | 39.20 | 34.30 | 03 – 10 |
| 17 | M25 x 1.0 | 32.00 | 17.10 | 24.90 | 42.20 | 36.10 | 03 – 12 |
| 19 | M28 x 1.0 | 35.40 | 17.80 | 25.40 | 46.70 | 36.80 | 03 – 12 |
| 21 | M31 x 1.0 | 39.30 | 18.10 | 25.90 | 49.70 | 38.40 | 03 – 16 |
| 23 | M34 x 1.0 | 41.55 | 18.70 | 26.70 | 52.20 | 39.90 | 03 – 16 |
| 25 | M37 x 1.0 | 46.12 | 19.40 | 27.20 | 53.70 | 41.40 | 03 – 20 |



Cable Clamp Type MS3057A



Cable Clamp Type MS3057D

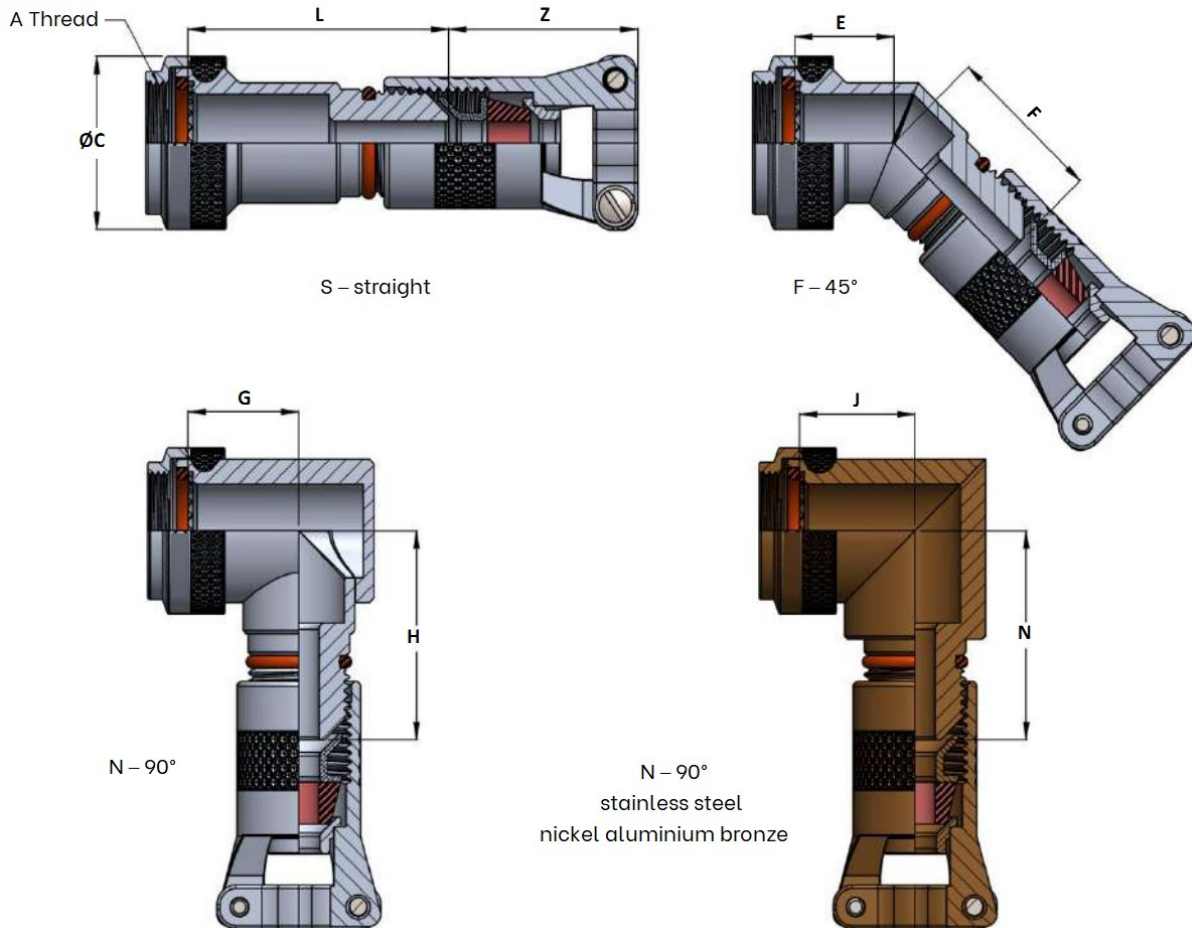
| Cable Entry Code | Cable Entry MAX | K MAX | V MAX |
|------------------|-----------------|-------|-------|
| | | | |
| 04 | 7.90 | 23.00 | 11.10 |
| 06 | 11.10 | 27.80 | 12.70 |
| 08 | 14.30 | 30.20 | 14.30 |
| 10 | 15.90 | 32.60 | 14.30 |
| 12 | 19.10 | 38.10 | 14.30 |
| 16 | 23.80 | 43.70 | 16.70 |
| 20 | 31.80 | 52.40 | 16.70 |

| Cable Entry Code | Cable Entry | | K MAX | V MAX |
|------------------|-------------|-------|-------|-------|
| | MIN | MAX | | |
| 04 | 3.20 | 7.90 | 24.30 | 19.80 |
| 06 | 6.40 | 11.10 | 29.10 | 19.80 |
| 08 | 9.80 | 14.30 | 33.80 | 19.80 |
| 10 | 8.90 | 15.90 | 33.80 | 19.80 |
| 12 | 12.70 | 19.10 | 39.40 | 20.60 |
| 16 | 15.90 | 23.80 | 45.00 | 23.00 |
| 20 | 22.20 | 31.80 | 53.70 | 27.70 |



Series ALCCB-03

EMI/RFI Submersible backshells with strain relief, environmental spin coupling



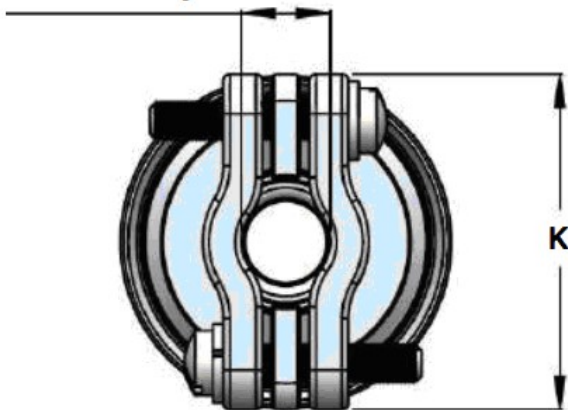
Ordering information

| Basic Series | ALCCB-03 | -H | 3 | S | W | -19 | 07 | -L | -6 |
|--|----------|----|---|---|---|-----|----|----|----|
| Connector Interface: | | | | | | | | | |
| H – MIL-DTL-38999 (series 3 & 4) | | | | | | | | | |
| Coupling Ring Option: | | | | | | | | | |
| 3 – spin coupling | | | | | | | | | |
| Angle Code: | | | | | | | | | |
| S – straight | | | | | | | | | |
| F – 45° | | | | | | | | | |
| N – 90° | | | | | | | | | |
| Material & Finish Code | | | | | | | | | |
| Shell Size | | | | | | | | | |
| Cable Entry Code | | | | | | | | | |
| Cable Clamp Type: | | | | | | | | | |
| L – Cable Clamp | | | | | | | | | |
| E – Back Nut | | | | | | | | | |
| Length Code for Straight Parts: | | | | | | | | | |
| ST – for standard length (L) – 1.75" | | | | | | | | | |
| (1/2" increment, for example 8 = 4 inches) | | | | | | | | | |

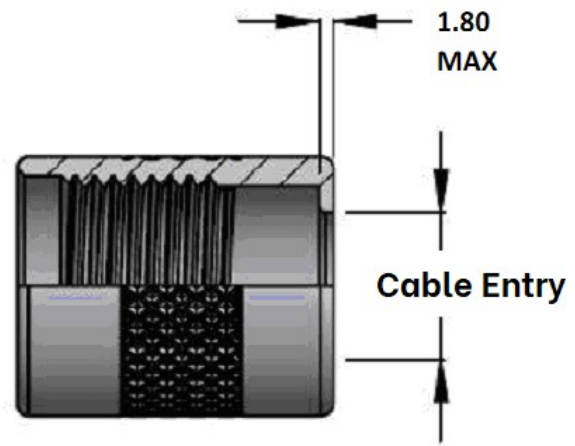
Dimensions

| Shell Size | A Thread | Ø C MAX | E MAX | F MAX | G MAX | H MAX | J MAX | N MAX | Cable Entry Code |
|------------|-----------|------------|----------|----------|----------|----------|----------|----------|---------------------|
| 09 | M12 x 1.0 | 19.00 | 14.10 | 48.20 | 27.70 | 44.90 | 17.40 | 44.90 | 01 – 02 |
| 11 | M15 x 1.0 | 21.80 | 14.90 | 49.80 | 28.70 | 44.90 | 18.80 | 44.90 | 02 – 04 |
| 13 | M18 x 1.0 | 25.40 | 15.50 | 51.30 | 33.20 | 45.20 | 20.60 | 45.20 | 04 – 06 |
| 15 | M22 x 1.0 | 29.30 | 16.50 | 53.60 | 39.20 | 45.20 | 22.70 | 45.20 | 04 – 08 |
| 17 | M25 x 1.0 | 32.00 | 17.10 | 56.40 | 42.20 | 46.20 | 24.30 | 46.20 | 04 – 10 |
| 19 | M28 x 1.0 | 35.40 | 17.80 | 62.20 | 46.70 | 49.30 | 26.40 | 49.30 | 04 – 16 |
| 21 | M31 x 1.0 | 39.30 | 18.10 | 61.20 | 49.70 | 47.50 | 27.10 | 47.50 | 04 – 16 |
| 23 | M34 x 1.0 | 41.55 | 18.70 | 65.00 | 52.20 | 49.00 | 28.60 | 49.00 | 04 – 16 |
| 25 | M37 x 1.0 | 46.12 | 19.40 | 65.00 | 53.70 | 49.20 | 30.10 | 49.20 | 04 – 18 |

Cable Entry



Cable Clamp Type L

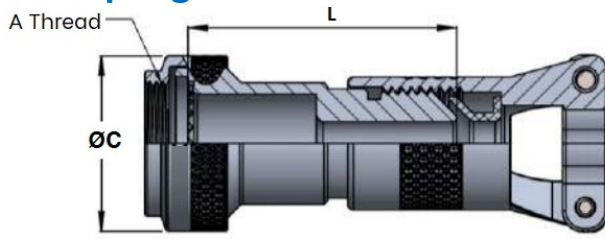


Back Nut Type E

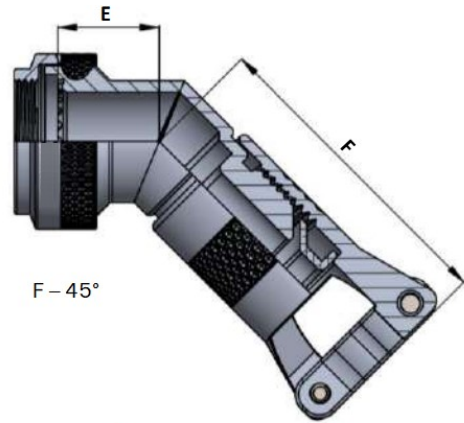
| Cable Entry Code | Cable Entry | | Ø K MAX | Z MAX |
|------------------|-------------|-------|------------|----------|
| | MIN | MAX | | |
| 01 | 1.60 | 3.20 | 19.80 | 29.50 |
| 02 | 3.20 | 6.40 | 24.60 | 29.50 |
| 04 | 6.40 | 9.50 | 27.00 | 29.50 |
| 06 | 7.90 | 12.70 | 29.40 | 29.50 |
| 08 | 11.10 | 15.90 | 31.80 | 29.50 |
| 10 | 14.30 | 19.10 | 34.90 | 29.50 |
| 12 | 17.40 | 22.20 | 38.10 | 29.50 |
| 14 | 20.60 | 25.40 | 41.30 | 29.50 |
| 16 | 23.80 | 28.60 | 44.50 | 29.50 |
| 18 | 27.00 | 31.80 | 47.60 | 29.50 |

Series ALCCB-04

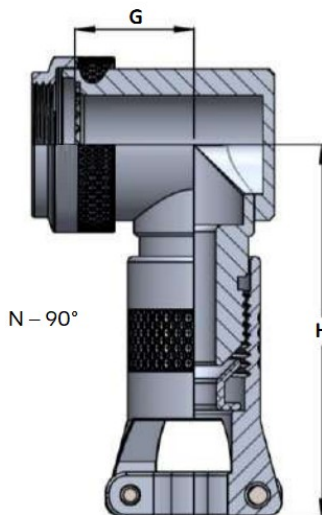
EMI/RFI Submersible backshells with strain relief, non environmental spin coupling



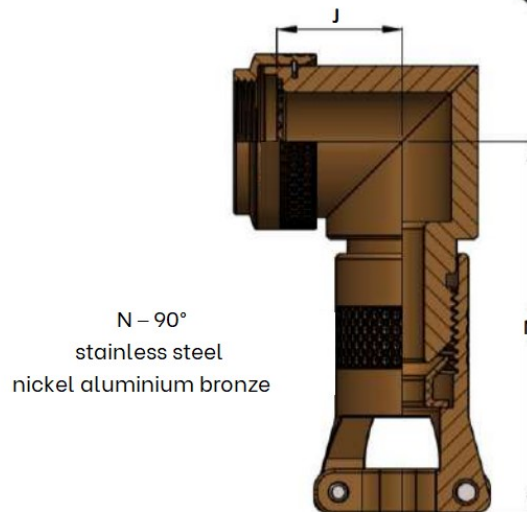
S – straight



F – 45°



N – 90°



N – 90°
stainless steel
nickel aluminium bronze

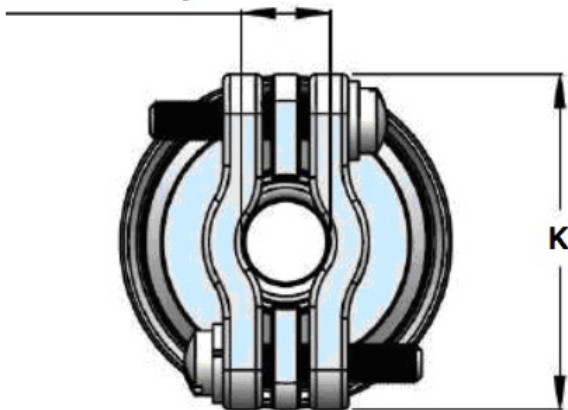
Ordering information

| Basic Series | ALCCB-04 | -H | 3 | S | W | -19 | 07 | -L | -6 |
|--|----------|----|---|---|---|-----|----|----|----|
| Connector Interface: | | | | | | | | | |
| H – MIL-DTL-38999 (series 3 & 4) | | | | | | | | | |
| Coupling Ring Option: | | | | | | | | | |
| 3 – spin coupling | | | | | | | | | |
| Angle Code: | | | | | | | | | |
| S – straight | | | | | | | | | |
| F – 45° | | | | | | | | | |
| N – 90° | | | | | | | | | |
| Material & Finish Code | | | | | | | | | |
| Shell Size | | | | | | | | | |
| Cable Entry Code | | | | | | | | | |
| Cable Clamp Type: | | | | | | | | | |
| L – Cable Clamp | | | | | | | | | |
| E – Back Nut | | | | | | | | | |
| Length Code for Straight Parts: | | | | | | | | | |
| ST – for standard length (L) – 1.75" | | | | | | | | | |
| (1/2" increment, for example 8 = 4 inches) | | | | | | | | | |

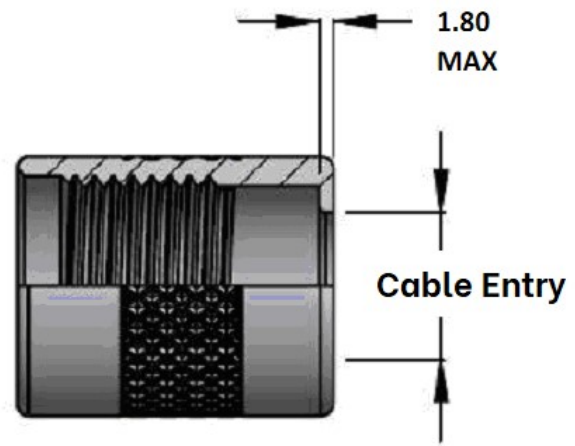
Dimensions

| Shell Size | A Thread | Ø C MAX | E MAX | F MAX | G MAX | H MAX | J MAX | N MAX | Cable Entry Code |
|------------|-----------|------------|----------|----------|----------|----------|----------|----------|---------------------|
| 09 | M12 x 1.0 | 19.00 | 14.10 | 80.01 | 27.70 | 87.88 | 17.40 | 19.00 | 01 – 02 |
| 11 | M15 x 1.0 | 21.80 | 14.90 | 81.83 | 28.70 | 90.93 | 18.80 | 21.80 | 02 – 04 |
| 13 | M18 x 1.0 | 25.40 | 15.50 | 83.06 | 33.20 | 91.44 | 20.60 | 25.40 | 04 – 06 |
| 15 | M22 x 1.0 | 29.30 | 16.50 | 85.34 | 39.20 | 93.22 | 22.70 | 29.30 | 04 – 08 |
| 17 | M25 x 1.0 | 32.00 | 17.10 | 88.14 | 42.20 | 95.50 | 24.30 | 32.00 | 04 – 10 |
| 19 | M28 x 1.0 | 35.40 | 17.80 | 92.96 | 46.70 | 99.82 | 26.40 | 35.40 | 04 – 16 |
| 21 | M31 x 1.0 | 39.30 | 18.10 | 92.96 | 49.70 | 99.82 | 27.10 | 39.30 | 04 – 16 |
| 23 | M34 x 1.0 | 41.55 | 18.70 | 96.77 | 52.20 | 102.62 | 28.60 | 41.55 | 04 – 16 |
| 25 | M37 x 1.0 | 46.12 | 19.40 | 96.77 | 53.70 | 102.62 | 30.10 | 46.12 | 04 – 18 |

Cable Entry



Cable Clamp Type L



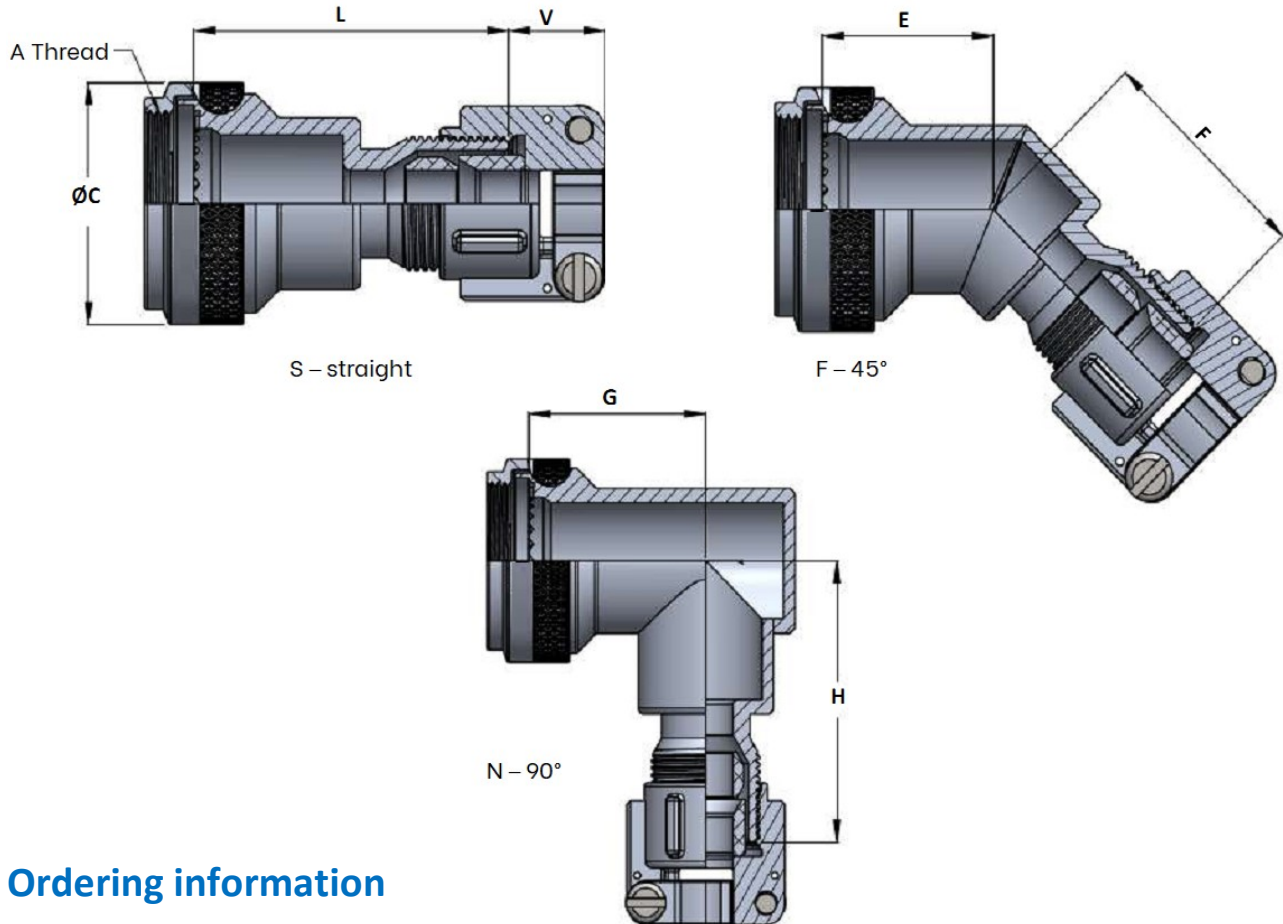
Back Nut Type E

| Cable Entry Code | Cable Entry | | Ø K MAX | Z MAX |
|------------------|-------------|-------|------------|----------|
| | MIN | MAX | | |
| 01 | 1.60 | 3.20 | 19.80 | 29.50 |
| 02 | 3.20 | 6.40 | 24.60 | 29.50 |
| 04 | 6.40 | 9.50 | 27.00 | 29.50 |
| 06 | 7.90 | 12.70 | 29.40 | 29.50 |
| 08 | 11.10 | 15.90 | 31.80 | 29.50 |
| 10 | 14.30 | 19.10 | 34.90 | 29.50 |
| 12 | 17.40 | 22.20 | 38.10 | 29.50 |
| 14 | 20.60 | 25.40 | 41.30 | 29.50 |
| 16 | 23.80 | 28.60 | 44.50 | 29.50 |
| 18 | 27.00 | 31.80 | 47.60 | 29.50 |



Series ALCCB-06

EMI/RFI Submersible backshells with strain relief & cone clamp, non environmental, spin coupling

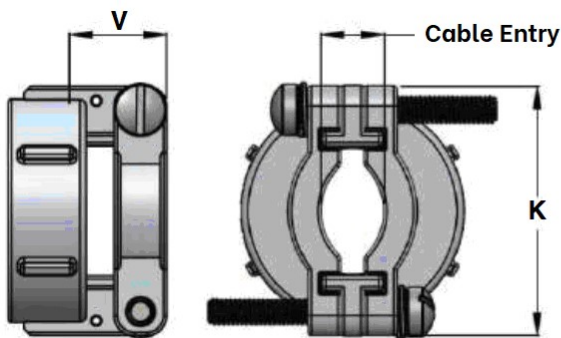


Ordering information

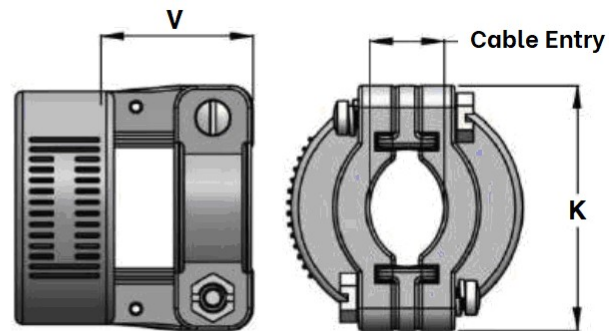
| Basic Series | ALCCB-06 | -H | 3 | S | W | -19 | 07 | -A | -6 |
|--|----------|----|---|---|---|-----|----|----|----|
| Connector Interface: | | | | | | | | | |
| H – MIL-DTL-38999 (series 3 & 4) | | | | | | | | | |
| Coupling Ring Option: | | | | | | | | | |
| 3 – spin coupling | | | | | | | | | |
| Angle Code: | | | | | | | | | |
| S – straight | | | | | | | | | |
| F – 45° | | | | | | | | | |
| N – 90° | | | | | | | | | |
| Material & Finish Code | | | | | | | | | |
| Shell Size | | | | | | | | | |
| Cable Entry Code | | | | | | | | | |
| Cable Clamp Type: | | | | | | | | | |
| A – MS3057A | | | | | | | | | |
| D – MS3057D | | | | | | | | | |
| Length Code for Straight Parts: | | | | | | | | | |
| ST – for standard length (L) – 1.50" | | | | | | | | | |
| (1/2" increment, for example 8 = 4 inches) | | | | | | | | | |

Dimensions

| Shell Size | A Thread | Ø C MAX | E MAX | F MAX | G MAX | H MAX | Cable Entry Code |
|------------|-----------|---------|-------|-------|-------|-------|------------------|
| 09 | M12 x 1.0 | 19.00 | 24.60 | 22.20 | 32.50 | 30.20 | 03 – 05 |
| 11 | M15 x 1.0 | 21.80 | 26.20 | 23.80 | 35.70 | 33.30 | 03 – 05 |
| 13 | M18 x 1.0 | 25.40 | 27.80 | 25.40 | 38.90 | 36.50 | 03 – 07 |
| 15 | M22 x 1.0 | 29.30 | 29.40 | 27.00 | 42.10 | 39.70 | 03 – 10 |
| 17 | M25 x 1.0 | 32.00 | 31.00 | 28.60 | 45.20 | 42.90 | 03 – 12 |
| 19 | M28 x 1.0 | 35.40 | 31.80 | 29.40 | 48.40 | 46.00 | 03 – 12 |
| 21 | M31 x 1.0 | 39.30 | 33.30 | 31.00 | 51.60 | 49.20 | 03 – 16 |
| 23 | M34 x 1.0 | 41.55 | 34.10 | 31.80 | 54.80 | 52.40 | 03 – 16 |
| 25 | M37 x 1.0 | 46.12 | 35.70 | 33.30 | 57.90 | 55.60 | 03 – 20 |



Cable Clamp Type MS3057A



Cable Clamp Type MS3057D

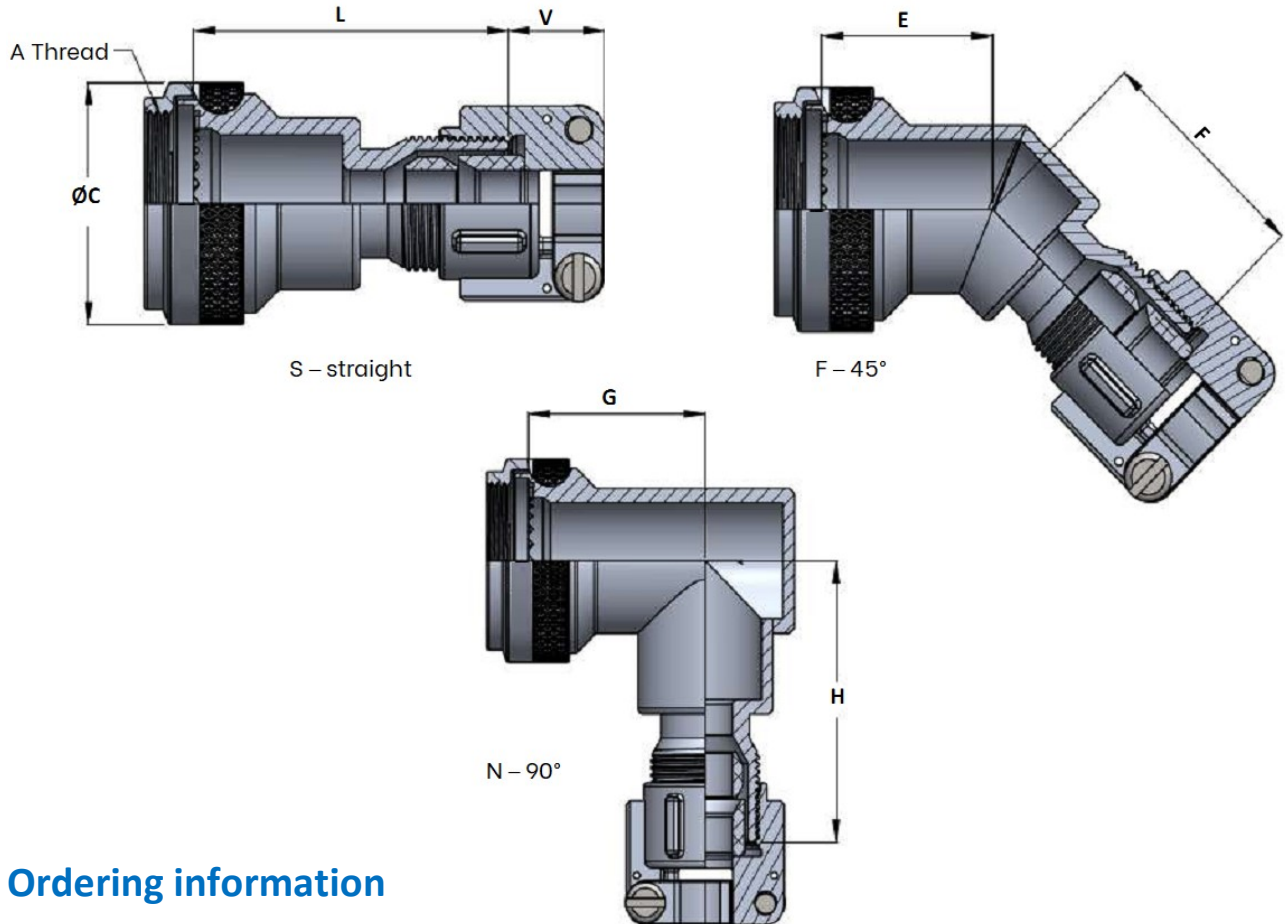
| Cable Entry Code | Cable Entry MAX | K MAX | V MAX |
|------------------|-----------------|-------|-------|
| 03 | 6.40 | 21.40 | 11.10 |
| 04 | 7.90 | 23.00 | 11.10 |
| 06 | 11.10 | 27.80 | 12.70 |
| 08 | 14.30 | 30.20 | 14.30 |
| 10 | 15.90 | 32.60 | 14.30 |
| 12 | 19.10 | 38.10 | 14.30 |
| 16 | 23.80 | 43.70 | 16.70 |
| 20 | 31.80 | 52.40 | 16.70 |

| Cable Entry Code | Cable Entry | | K MAX | V MAX |
|------------------|-------------|-------|-------|-------|
| | MIN | MAX | | |
| 04 | 3.20 | 7.90 | 24.30 | 19.80 |
| 06 | 6.40 | 11.10 | 29.10 | 19.80 |
| 08 | 9.80 | 14.30 | 33.80 | 19.80 |
| 10 | 8.90 | 15.90 | 33.80 | 19.80 |
| 12 | 12.70 | 19.10 | 39.40 | 20.60 |
| 16 | 15.90 | 23.80 | 45.00 | 23.00 |
| 20 | 22.20 | 31.80 | 53.70 | 27.70 |



Series ALCCB-06

Submersible backshells with strain relief & cone clamp, non environmental, non screened, self locking coupling

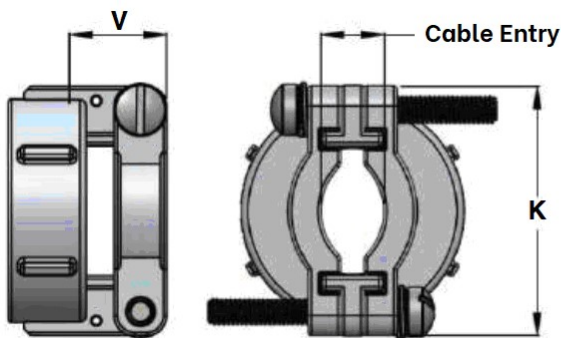


Ordering information

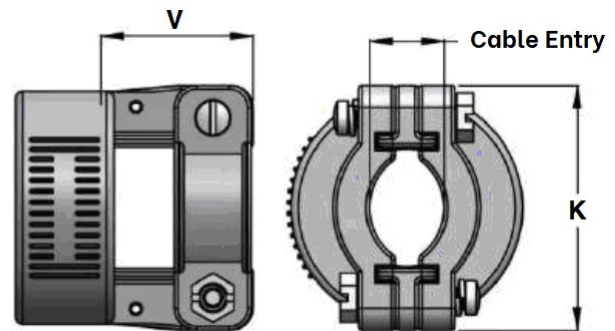
| | | | | | | | | | |
|--|-----------------|-----------|----------|----------|----------|------------|-----------|-----------|-----------|
| Basic Series | ALCCB-06 | -H | 5 | S | W | -19 | 07 | -A | -6 |
| Connector Interface: | | | | | | | | | |
| H – MIL-DTL-38999 (series 3 & 4) | | | | | | | | | |
| Coupling Ring Option: | | | | | | | | | |
| 5 – self locking coupling | | | | | | | | | |
| Angle Code: | | | | | | | | | |
| S – straight | | | | | | | | | |
| F – 45° | | | | | | | | | |
| N – 90° | | | | | | | | | |
| Material & Finish Code | | | | | | | | | |
| Shell Size | | | | | | | | | |
| Cable Entry Code | | | | | | | | | |
| Cable Clamp Type: | | | | | | | | | |
| A – MS3057A | | | | | | | | | |
| D – MS3057D | | | | | | | | | |
| Length Code for Straight Parts: | | | | | | | | | |
| ST – for standard length (L) – 1.50" | | | | | | | | | |
| (1/2" increment, for example 8 = 4 inches) | | | | | | | | | |

Dimensions

| Shell Size | A Thread | Ø C MAX | E MAX | F MAX | G MAX | H MAX | Cable Entry Code |
|------------|-----------|---------|-------|-------|-------|-------|------------------|
| 09 | M12 x 1.0 | 21.50 | 24.60 | 22.20 | 32.50 | 30.20 | 03 – 05 |
| 11 | M15 x 1.0 | 24.65 | 26.20 | 23.80 | 35.70 | 33.30 | 03 – 05 |
| 13 | M18 x 1.0 | 28.10 | 27.80 | 25.40 | 38.90 | 36.50 | 03 – 07 |
| 15 | M22 x 1.0 | 31.50 | 29.40 | 27.00 | 42.10 | 39.70 | 03 – 10 |
| 17 | M25 x 1.0 | 34.50 | 31.00 | 28.60 | 45.20 | 42.90 | 03 – 12 |
| 19 | M28 x 1.0 | 37.50 | 31.80 | 29.40 | 48.40 | 46.00 | 03 – 12 |
| 21 | M31 x 1.0 | 40.50 | 33.30 | 31.00 | 51.60 | 49.20 | 03 – 16 |
| 23 | M34 x 1.0 | 43.50 | 34.10 | 31.80 | 54.80 | 52.40 | 03 – 16 |
| 25 | M37 x 1.0 | 47.50 | 35.70 | 33.30 | 57.90 | 55.60 | 03 – 20 |



Cable Clamp Type MS3057A



Cable Clamp Type MS3057D

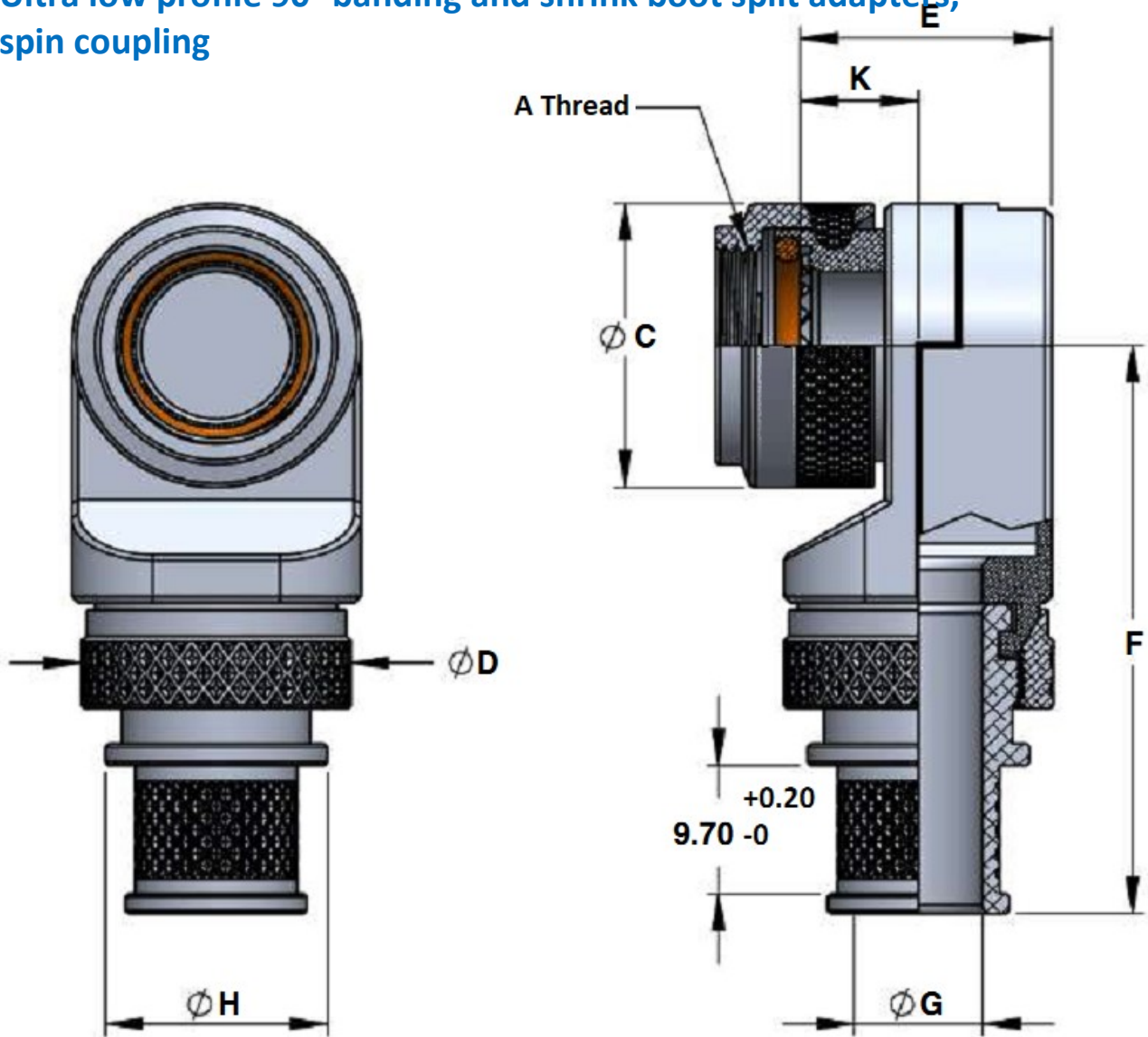
| Cable Entry Code | Cable Entry MAX | K MAX | V MAX |
|------------------|-----------------|-------|-------|
| | | | |
| 04 | 7.90 | 23.00 | 11.10 |
| 06 | 11.10 | 27.80 | 12.70 |
| 08 | 14.30 | 30.20 | 14.30 |
| 10 | 15.90 | 32.60 | 14.30 |
| 12 | 19.10 | 38.10 | 14.30 |
| 16 | 23.80 | 43.70 | 16.70 |
| 20 | 31.80 | 52.40 | 16.70 |

| Cable Entry Code | Cable Entry | | K MAX | V MAX |
|------------------|-------------|-------|-------|-------|
| | MIN | MAX | | |
| 04 | 3.20 | 7.90 | 24.30 | 19.80 |
| 06 | 6.40 | 11.10 | 29.10 | 19.80 |
| 08 | 9.80 | 14.30 | 33.80 | 19.80 |
| 10 | 8.90 | 15.90 | 33.80 | 19.80 |
| 12 | 12.70 | 19.10 | 39.40 | 20.60 |
| 16 | 15.90 | 23.80 | 45.00 | 23.00 |
| 20 | 22.20 | 31.80 | 53.70 | 27.70 |



Series ALUPB-01

Ultra low profile 90° banding and shrink boot split adapters, spin coupling



Ordering information

| | | | | | | | |
|----------------------------------|-----------------|-----------|----------|----------|------------|------------|-----------|
| Basic Series | ALUPB-01 | -H | 3 | W | -19 | -08 | -T |
| Connector Interface: | | | | | | | |
| H – MIL-DTL-38999 (series 3 & 4) | | | | | | | |
| Coupling Ring Option: | | | | | | | |
| 3 – spin coupling | | | | | | | |
| Material & Finish Code | | | | | | | |
| Shell Size | | | | | | | |
| Cable Entry Code | | | | | | | |
| Banding Option: | | | | | | | |
| S – CF spring | | | | | | | |
| T – termination band | | | | | | | |
| Omit – for none | | | | | | | |



Dimensions

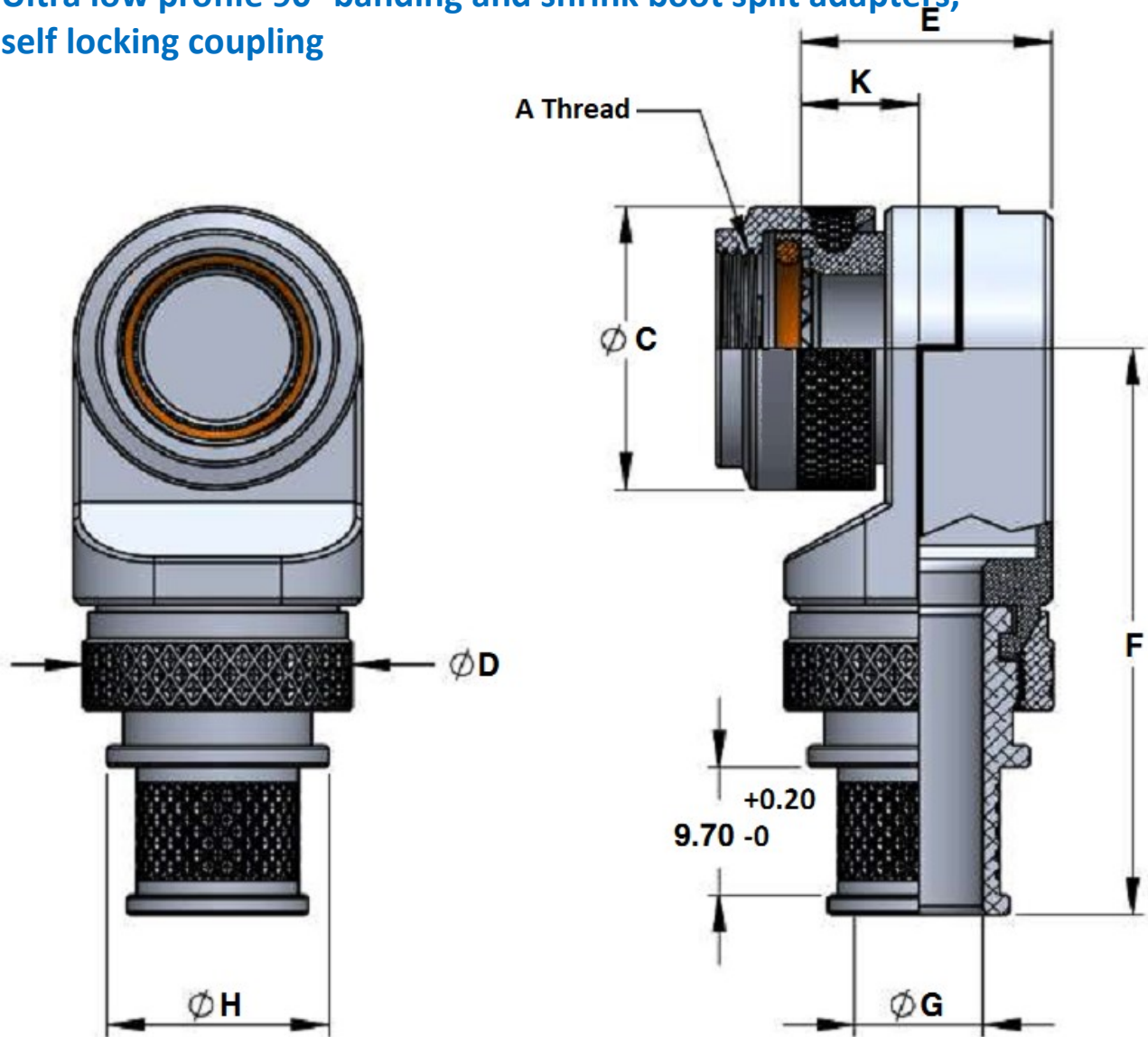
| Shell Size | A Thread | Ø C MAX | K MAX | E MAX | F MAX | Ø D MAX | Cable Entry Code |
|------------|-----------|------------|----------|----------|----------|------------|------------------|
| 09 | M12 x 1.0 | 19.00 | 9.50 | 17.70 | 48.60 | 18.70 | 02 – 04 |
| 11 | M15 x 1.0 | 21.80 | 9.50 | 19.00 | 52.70 | 21.70 | 02 – 06 |
| 13 | M18 x 1.0 | 25.40 | 9.50 | 22.10 | 52.70 | 24.70 | 02 – 06 |
| 15 | M22 x 1.0 | 29.30 | 10.50 | 22.10 | 58.80 | 24.70 | 02 – 08 |
| 17 | M25 x 1.0 | 32.00 | 11.20 | 25.10 | 58.80 | 28.70 | 02 – 10 |
| 19 | M28 x 1.0 | 35.40 | 17.00 | 30.00 | 61.50 | 28.70 | 02 – 10 |
| 21 | M31 x 1.0 | 39.30 | 17.00 | 30.00 | 62.50 | 28.70 | 02 – 10 |
| 23 | M34 x 1.0 | 41.55 | 16.10 | 33.50 | 65.00 | 31.70 | 02 – 12 |
| 25 | M37 x 1.0 | 46.12 | 18.10 | 36.50 | 66.50 | 31.70 | 02 – 12 |

| Cable Entry Code | Ø G +0.20 | Ø H MAX |
|------------------|-----------|---------|
| 02 | 3.20 | 10.41 |
| 03 | 4.70 | 11.91 |
| 04 | 6.30 | 13.51 |
| 05 | 7.90 | 15.11 |
| 06 | 9.50 | 16.71 |
| 07 | 11.10 | 18.31 |
| 08 | 12.70 | 19.91 |
| 09 | 14.20 | 21.41 |
| 10 | 15.80 | 23.01 |
| 11 | 17.40 | 24.61 |
| 12 | 19.00 | 26.21 |



Series ALUPB-01

Ultra low profile 90° banding and shrink boot split adapters, self locking coupling



Ordering information

| Basic Series | ALUPB-01 | -H | 5 | W | -19 | -08 | -T |
|----------------------------------|----------|----|---|---|-----|-----|----|
| Connector Interface: | | | | | | | |
| H – MIL-DTL-38999 (series 3 & 4) | | | | | | | |
| Coupling Ring Option: | | | | | | | |
| 5 – self locking coupling | | | | | | | |
| Material & Finish Code | | | | | | | |
| Shell Size | | | | | | | |
| Cable Entry Code | | | | | | | |
| Banding Option: | | | | | | | |
| S – CF spring | | | | | | | |
| T – termination band | | | | | | | |
| Omit – for none | | | | | | | |



Dimensions

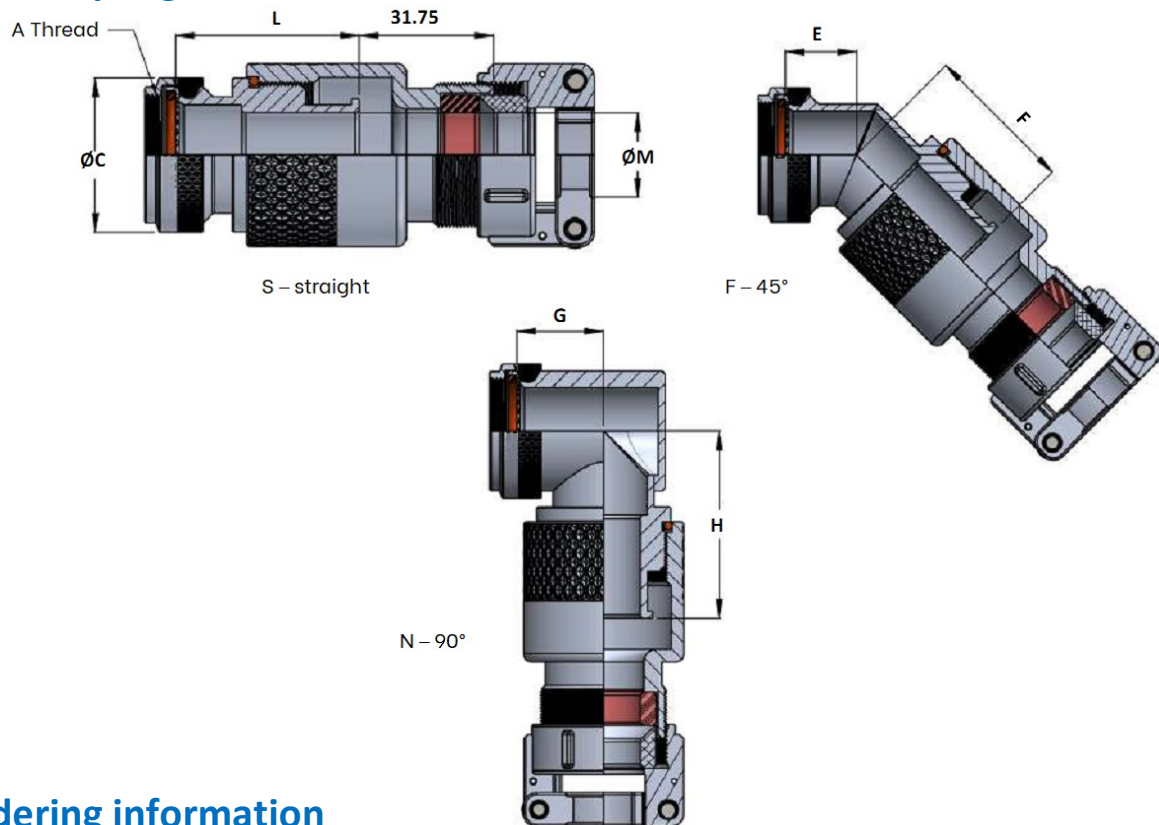
| Shell Size | A Thread | Ø C MAX | K MAX | E MAX | F MAX | Ø D MAX | Cable Entry Code |
|------------|-----------|------------|----------|----------|----------|------------|------------------|
| 09 | M12 x 1.0 | 21.50 | 13.50 | 21.70 | 48.60 | 18.70 | 02 – 04 |
| 11 | M15 x 1.0 | 24.65 | 13.50 | 23.00 | 52.70 | 21.70 | 02 – 06 |
| 13 | M18 x 1.0 | 28.10 | 13.50 | 26.10 | 52.70 | 24.70 | 02 – 06 |
| 15 | M22 x 1.0 | 31.50 | 14.50 | 26.10 | 58.80 | 24.70 | 02 – 08 |
| 17 | M25 x 1.0 | 34.50 | 15.20 | 29.10 | 58.80 | 28.70 | 02 – 10 |
| 19 | M28 x 1.0 | 37.50 | 21.00 | 34.00 | 61.50 | 28.70 | 02 – 10 |
| 21 | M31 x 1.0 | 40.50 | 21.00 | 34.00 | 62.50 | 28.70 | 02 – 10 |
| 23 | M34 x 1.0 | 43.50 | 20.10 | 37.50 | 65.00 | 31.70 | 02 – 12 |
| 25 | M37 x 1.0 | 47.50 | 22.10 | 40.50 | 66.50 | 31.70 | 02 – 12 |

| Cable Entry Code | Ø G +0.20 | Ø H MAX |
|------------------|-----------|---------|
| 02 | 3.20 | 10.41 |
| 03 | 4.70 | 11.91 |
| 04 | 6.30 | 13.51 |
| 05 | 7.90 | 15.11 |
| 06 | 9.50 | 16.71 |
| 07 | 11.10 | 18.31 |
| 08 | 12.70 | 19.91 |
| 09 | 14.20 | 21.41 |
| 10 | 15.80 | 23.01 |
| 11 | 17.40 | 24.61 |
| 12 | 19.00 | 26.21 |



Series ALBCB-01

EMI/RFI Band-in-a-can with strain-relief, environmental spin coupling

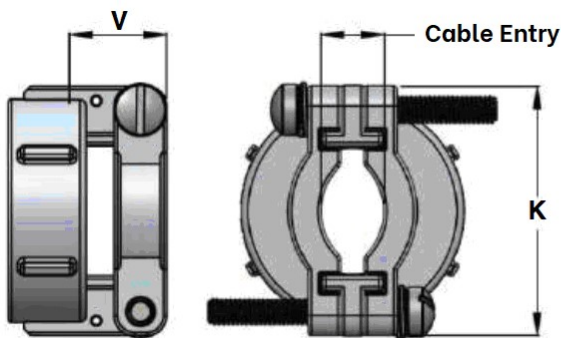


Ordering information

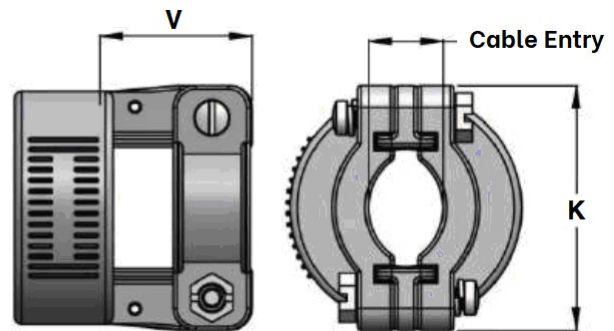
| Basic Series | ALBCB-01 | -H | 3 | S | W | -19 | 07 | -A | -6 | -T |
|--|----------|----|---|---|---|-----|----|----|----|----|
| Connector Interface: | | | | | | | | | | |
| H – MIL-DTL-38999 (series 3 & 4) | | | | | | | | | | |
| Coupling Ring Option: | | | | | | | | | | |
| 3 – spin coupling | | | | | | | | | | |
| Angle Code: | | | | | | | | | | |
| S – straight | | | | | | | | | | |
| F – 45° | | | | | | | | | | |
| N – 90° | | | | | | | | | | |
| Material & Finish Code | | | | | | | | | | |
| Shell Size | | | | | | | | | | |
| Cable Entry Code | | | | | | | | | | |
| Cable Clamp Type: | | | | | | | | | | |
| A – MS3057A | | | | | | | | | | |
| D – MS3057D | | | | | | | | | | |
| Length Code for Straight Parts: | | | | | | | | | | |
| ST – for standard length (L) – 2.00" | | | | | | | | | | |
| (1/2" increment, for example 8 = 4 inches) | | | | | | | | | | |
| Banding Option: | | | | | | | | | | |
| S – CF spring | | | | | | | | | | |
| T – termination band | | | | | | | | | | |
| Omit – for none | | | | | | | | | | |

Dimensions

| Shell Size | A Thread | Ø C MAX | E MAX | F MAX | G MAX | H MAX | Cable Entry Code |
|------------|-----------|---------|-------|-------|-------|-------|------------------|
| 09 | M12 x 1.0 | 19.00 | 20.00 | 35.10 | 23.00 | 38.10 | 03 – 05 |
| 11 | M15 x 1.0 | 21.80 | 21.00 | 35.80 | 24.50 | 39.40 | 03 – 05 |
| 13 | M18 x 1.0 | 25.40 | 21.50 | 36.30 | 26.10 | 40.90 | 03 – 07 |
| 15 | M22 x 1.0 | 29.30 | 22.00 | 37.10 | 27.30 | 42.70 | 03 – 10 |
| 17 | M25 x 1.0 | 32.00 | 23.00 | 37.60 | 28.90 | 44.20 | 03 – 12 |
| 19 | M28 x 1.0 | 35.40 | 23.50 | 37.80 | 29.90 | 44.70 | 03 – 12 |
| 21 | M31 x 1.0 | 39.30 | 24.00 | 38.40 | 31.40 | 46.20 | 03 – 16 |
| 23 | M34 x 1.0 | 41.55 | 24.50 | 39.40 | 32.90 | 48.30 | 03 – 16 |
| 25 | M37 x 1.0 | 46.12 | 25.00 | 40.10 | 34.40 | 50.00 | 03 – 20 |



Cable Clamp Type MS3057A



Cable Clamp Type MS3057D

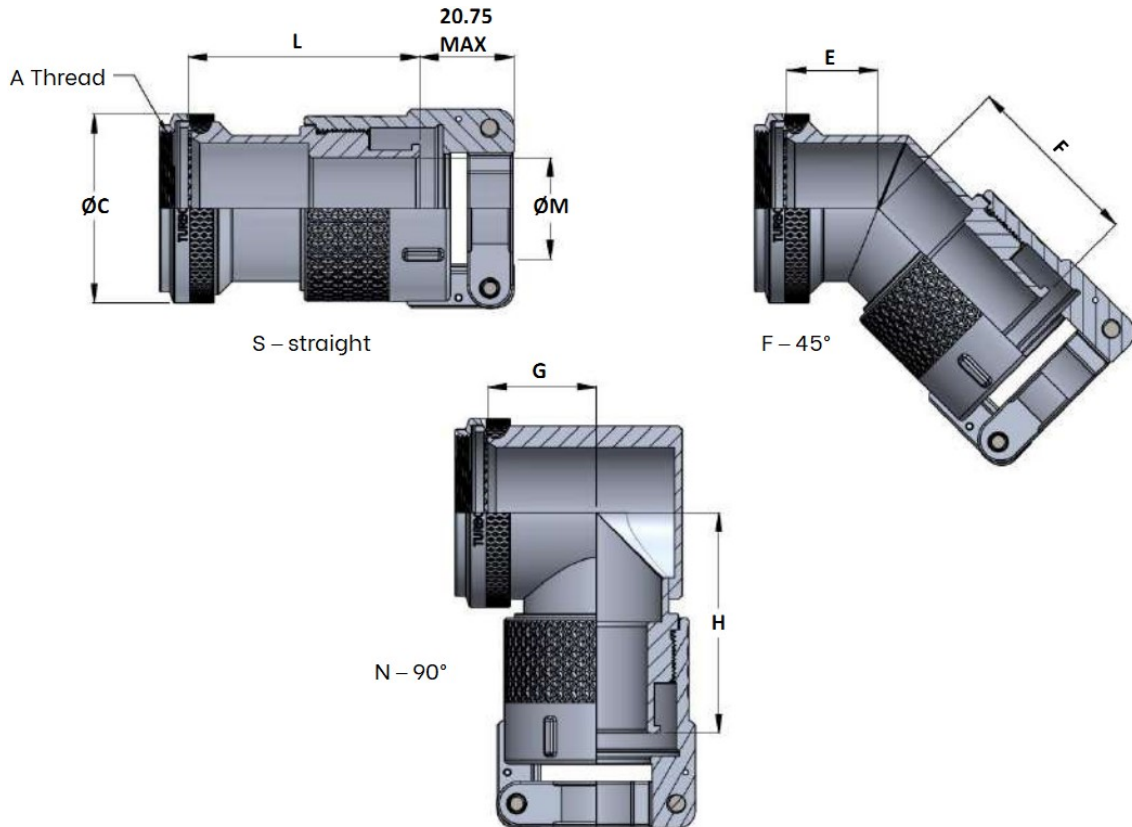
| Cable Entry Code | Cable Entry MAX | K MAX | V MAX |
|------------------|-----------------|-------|-------|
| | | | |
| 04 | 7.90 | 23.00 | 11.10 |
| 06 | 11.10 | 27.80 | 12.70 |
| 08 | 14.30 | 30.20 | 14.30 |
| 10 | 15.90 | 32.60 | 14.30 |
| 12 | 19.10 | 38.10 | 14.30 |
| 16 | 23.80 | 43.70 | 16.70 |
| 20 | 31.80 | 52.40 | 16.70 |

| Cable Entry Code | Cable Entry | | K MAX | V MAX |
|------------------|-------------|-------|-------|-------|
| | MIN | MAX | | |
| 04 | 3.20 | 7.90 | 24.30 | 19.80 |
| 06 | 6.40 | 11.10 | 29.10 | 19.80 |
| 08 | 9.80 | 14.30 | 33.80 | 19.80 |
| 10 | 8.90 | 15.90 | 33.80 | 19.80 |
| 12 | 12.70 | 19.10 | 39.40 | 20.60 |
| 16 | 15.90 | 23.80 | 45.00 | 23.00 |
| 20 | 22.20 | 31.80 | 53.70 | 27.70 |



Series ALBCB-02

EMI/RFI Band-in-a-can with strain-relief, non environmental, spin coupling

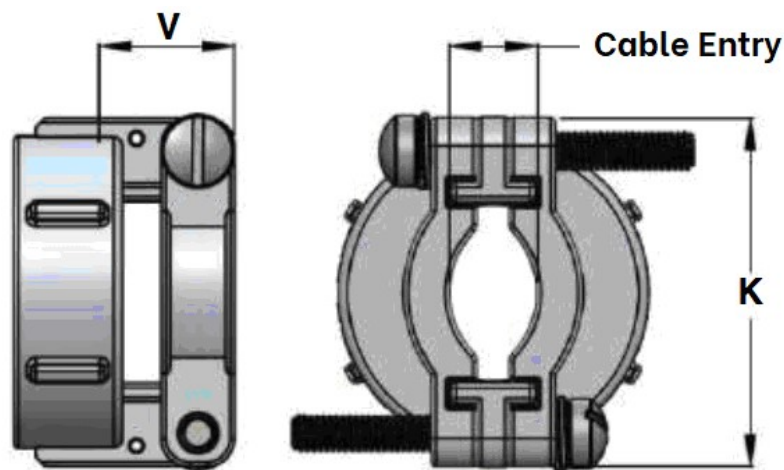


Ordering information

| Basic Series | ALBCB-02 | -H | 3 | S | W | -19 | 07 | -A | -6 | -T |
|--|----------|----|---|---|---|-----|----|----|----|----|
| Connector Interface: | | | | | | | | | | |
| H – MIL-DTL-38999 (series 3 & 4) | | | | | | | | | | |
| Coupling Ring Option: | | | | | | | | | | |
| 3 – spin coupling | | | | | | | | | | |
| Angle Code: | | | | | | | | | | |
| S – straight | | | | | | | | | | |
| F – 45° | | | | | | | | | | |
| N – 90° | | | | | | | | | | |
| Material & Finish Code | | | | | | | | | | |
| Shell Size | | | | | | | | | | |
| Cable Entry Code | | | | | | | | | | |
| Cable Clamp Type: | | | | | | | | | | |
| A – MS3057A | | | | | | | | | | |
| Length Code for Straight Parts: | | | | | | | | | | |
| ST – for standard length (L) – 2.00" | | | | | | | | | | |
| (1/2" increment, for example 8 = 4 inches) | | | | | | | | | | |
| Banding Option: | | | | | | | | | | |
| S – CF spring | | | | | | | | | | |
| T – termination band | | | | | | | | | | |
| Omit – for none | | | | | | | | | | |

Dimensions

| Shell Size | A Thread | Ø C MAX | E MAX | F MAX | G MAX | H MAX | Cable Entry Code |
|------------|-----------|---------|-------|-------|-------|-------|------------------|
| 09 | M12 x 1.0 | 19.00 | 20.00 | 35.10 | 23.00 | 38.10 | 03 – 05 |
| 11 | M15 x 1.0 | 21.80 | 21.00 | 35.80 | 24.50 | 39.40 | 03 – 05 |
| 13 | M18 x 1.0 | 25.40 | 21.50 | 36.30 | 26.10 | 40.90 | 03 – 07 |
| 15 | M22 x 1.0 | 29.30 | 22.00 | 37.10 | 27.30 | 42.70 | 03 – 10 |
| 17 | M25 x 1.0 | 32.00 | 23.00 | 37.60 | 28.90 | 44.20 | 03 – 12 |
| 19 | M28 x 1.0 | 35.40 | 23.50 | 37.80 | 29.90 | 44.70 | 03 – 12 |
| 21 | M31 x 1.0 | 39.30 | 24.00 | 38.40 | 31.40 | 46.20 | 03 – 16 |
| 23 | M34 x 1.0 | 41.55 | 24.50 | 39.40 | 32.90 | 48.30 | 03 – 16 |
| 25 | M37 x 1.0 | 46.12 | 25.00 | 40.10 | 34.40 | 50.00 | 03 – 20 |



Cable Clamp Type MS3057A

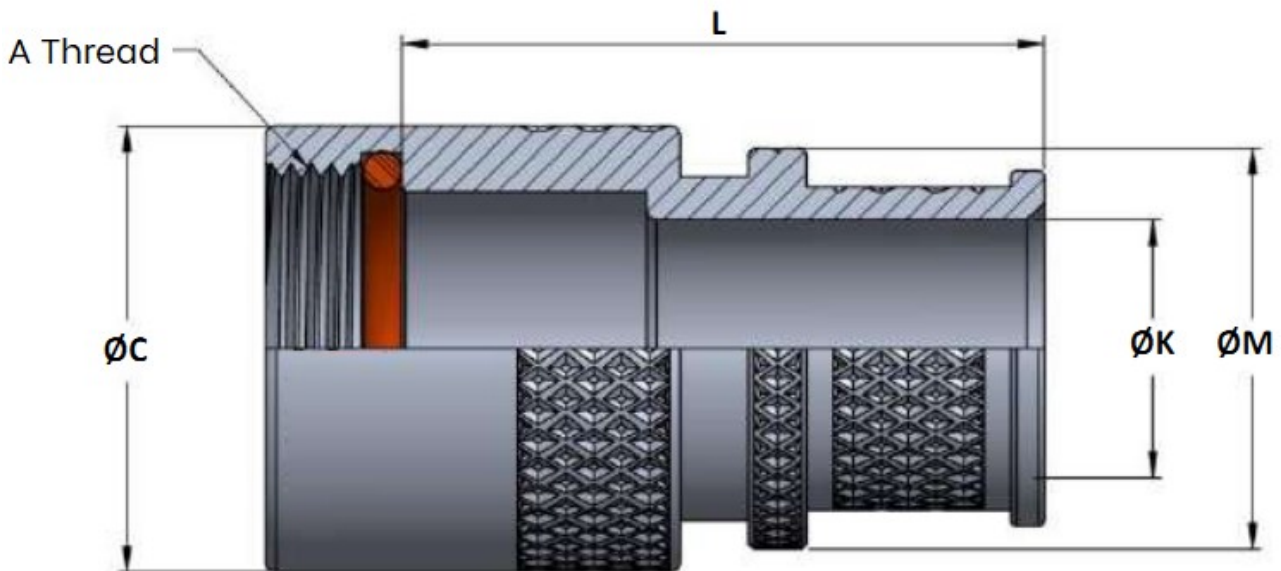
| Cable Entry Code | Ø M MAX | K MAX |
|------------------|---------|-------|
| 03 | 6.40 | 21.40 |
| 04 | 7.90 | 23.00 |
| 06 | 11.10 | 27.80 |
| 08 | 14.30 | 30.20 |
| 10 | 15.90 | 32.60 |
| 12 | 19.10 | 38.10 |
| 16 | 23.80 | 43.70 |
| 20 | 31.80 | 52.40 |
| 24 | 34.90 | 58.70 |
| 28 | 41.30 | 69.10 |
| 32 | 47.60 | 75.40 |
| 40 | 60.30 | 89.70 |



**MIL-DTL-5015 (crimp, MS34),
MIL-DTL-26482 series 2,
MIL-DTL-83723 series 3**

Series ALBS

EMI/RFI banding and shrink boot adapters, direct coupling



Ordering information

| Basic Series | ALBS | -A | 1 | S | W | -18 | 07 | -ST | -T |
|---|------|----|---|---|---|-----|----|-----|----|
| Connector Interface: | | | | | | | | | |
| A – MIL-DTL-5015 (crimp, MS34), MIL-DTL-26482 series 2, MIL-DTL-83723 series 3 | | | | | | | | | |
| Coupling Ring Option: | | | | | | | | | |
| 1 – direct coupling | | | | | | | | | |
| Angle Code: | | | | | | | | | |
| S – straight | | | | | | | | | |
| Material & Finish Code | | | | | | | | | |
| Shell Size | | | | | | | | | |
| Cable Entry Code | | | | | | | | | |
| Length Code for Straight Parts: | | | | | | | | | |
| ST – for standard length (L) – 1.25" (1/2" increment, for example 8 = 4 inches) | | | | | | | | | |
| Banding Option: | | | | | | | | | |
| S – CF spring | | | | | | | | | |
| T – termination band | | | | | | | | | |
| Omit – for none | | | | | | | | | |



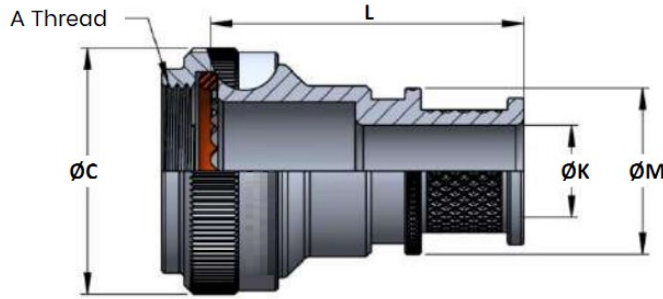
Dimensions

| Shell Size | A Thread | Ø C MAX | Cable Entry Code |
|------------|------------------|---------|------------------|
| 08 | 1/2 - 20 UNEF | 18.80 | 02 - 04 |
| 10 | 5/8 - 24 UNEF | 19.09 | 02 - 06 |
| 12 | 3/4 - 20 UNEF | 22.26 | 02 - 08 |
| 14 | 7/8 - 20 UNEF | 25.44 | 02 - 10 |
| 16 | 1 - 20 UNEF | 29.41 | 02 - 12 |
| 18 | 1-1/16 - 18 UNEF | 32.59 | 02 - 14 |
| 20 | 1-3/16 - 18 UNEF | 36.56 | 02 - 16 |
| 22 | 1-5/16 - 18 UNEF | 39.73 | 02 - 18 |
| 24 | 1-7/16 - 18 UNEF | 39.73 | 02 - 20 |

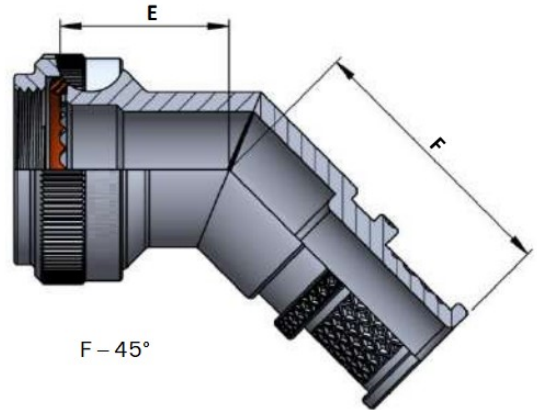
| Cable Entry Code | Ø K +0.20 | Ø M MAX |
|------------------|-----------|---------|
| 02 | 3.20 | 10.41 |
| 03 | 4.70 | 11.91 |
| 04 | 6.30 | 13.51 |
| 05 | 7.90 | 15.11 |
| 06 | 9.50 | 16.71 |
| 07 | 11.10 | 18.31 |
| 08 | 12.70 | 19.91 |
| 09 | 14.20 | 21.41 |
| 10 | 15.80 | 23.01 |
| 11 | 17.40 | 24.61 |
| 12 | 19.00 | 26.21 |
| 13 | 20.60 | 27.81 |
| 14 | 22.20 | 29.41 |
| 15 | 23.80 | 31.01 |
| 16 | 25.40 | 32.61 |
| 17 | 27.00 | 34.21 |
| 18 | 28.60 | 35.81 |
| 19 | 30.20 | 37.41 |
| 20 | 31.80 | 39.01 |

Series ALBS

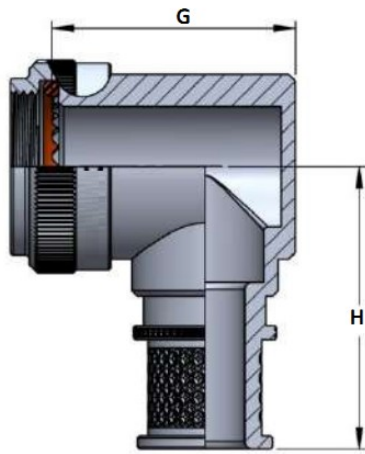
EMI/RFI banding and shrink boot adapters, spin coupling



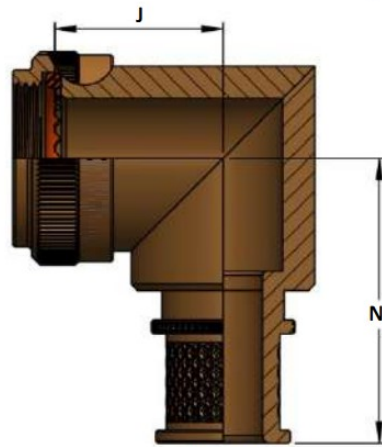
S – straight



F – 45°



N – 90°



N – 90°

stainless steel

nickel aluminium bronze

Ordering information

| Basic Series | ALBS | -A | 3 | S | W | -18 | 07 | -8 | -T |
|--|------|----|---|---|---|-----|----|----|----|
| Connector Interface: | | | | | | | | | |
| A – MIL-DTL-5015 (crimp, MS34), MIL-DTL-26482 series 2, MIL-DTL-83723 series 3 | | | | | | | | | |
| Coupling Ring Option: | | | | | | | | | |
| 3 – spin coupling | | | | | | | | | |
| Angle Code: | | | | | | | | | |
| S – straight | | | | | | | | | |
| F – 45° | | | | | | | | | |
| N – 90° | | | | | | | | | |
| Material & Finish Code | | | | | | | | | |
| Shell Size | | | | | | | | | |
| Cable Entry Code | | | | | | | | | |
| Length Code for Straight Parts: | | | | | | | | | |
| ST – for standard length (L) – 1.25" | | | | | | | | | |
| (1/2" increment, for example 8 = 4 inches) | | | | | | | | | |
| Banding Option: | | | | | | | | | |
| S – CF spring | | | | | | | | | |
| T – termination band | | | | | | | | | |
| Omit – for none | | | | | | | | | |



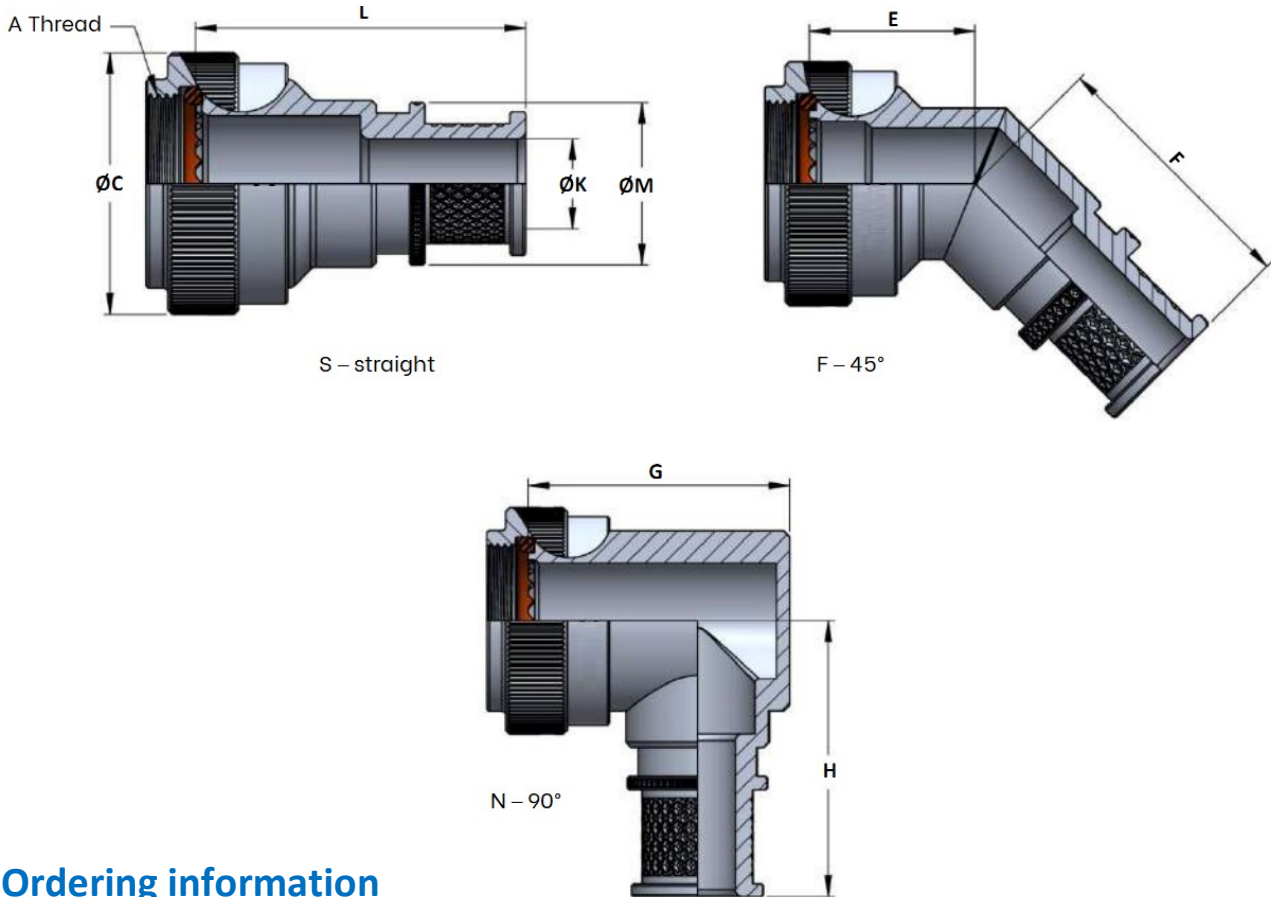
Dimensions

| Shell Size | A Thread | Ø C MAX | | Cable Entry Code | | |
|------------|------------------|---------|-------|------------------|-------|-------|
| 08 | 1/2 - 20 UNEF | 16.00 | | 02 – 05 | | |
| 10 | 5/8 - 24 UNEF | 18.70 | | 02 – 07 | | |
| 12 | 3/4 - 20 UNEF | 22.10 | | 02 – 08 | | |
| 14 | 7/8 - 20 UNEF | 25.20 | | 02 – 10 | | |
| 16 | 1 - 20 UNEF | 28.40 | | 04 – 12 | | |
| 18 | 1-1/16 - 18 UNEF | 31.10 | | 05 – 12 | | |
| 20 | 1-3/16 - 18 UNEF | 34.30 | | 05 – 14 | | |
| 22 | 1-5/16 - 18 UNEF | 37.50 | | 06 – 16 | | |
| 24 | 1-7/16 - 18 UNEF | 40.60 | | 07 – 20 | | |
| Shell Size | E MAX | F MAX | G MAX | H MAX | J MAX | N MAX |
| 08 | 18.10 | 27.40 | 25.70 | 31.00 | 18.50 | 31.00 |
| 10 | 18.30 | 27.20 | 27.70 | 33.00 | 19.80 | 33.00 |
| 12 | 18.80 | 27.10 | 30.20 | 32.80 | 21.40 | 32.80 |
| 14 | 19.60 | 28.90 | 31.70 | 34.40 | 22.50 | 34.40 |
| 16 | 20.50 | 29.20 | 35.20 | 37.70 | 24.00 | 37.70 |
| 18 | 20.70 | 30.10 | 38.20 | 37.70 | 25.00 | 37.70 |
| 20 | 21.60 | 30.30 | 43.20 | 39.30 | 26.70 | 39.30 |
| 22 | 21.80 | 30.60 | 45.20 | 41.60 | 28.20 | 41.60 |
| 24 | 23.30 | 32.50 | 46.20 | 42.60 | 29.70 | 42.60 |

| Cable Entry Code | Ø K +0.20 | Ø M MAX | Cable Entry Code | Ø K +0.20 | Ø M MAX |
|------------------|-----------|---------|------------------|-----------|---------|
| 02 | 3.20 | 10.41 | 12 | 19.00 | 26.21 |
| 03 | 4.70 | 11.91 | 13 | 20.60 | 27.81 |
| 04 | 6.30 | 13.51 | 14 | 22.20 | 29.41 |
| 05 | 7.90 | 15.11 | 15 | 23.80 | 31.01 |
| 06 | 9.50 | 16.71 | 16 | 25.40 | 32.61 |
| 07 | 11.10 | 18.31 | 17 | 27.00 | 34.21 |
| 08 | 12.70 | 19.91 | 18 | 28.60 | 35.81 |
| 09 | 14.20 | 21.41 | 19 | 30.20 | 37.41 |
| 10 | 15.80 | 23.01 | 20 | 31.80 | 39.01 |
| 11 | 17.40 | 24.61 | | | |

Series ALBS

EMI/RFI banding and shrink boot adapters, self locking coupling
 M85049/82, M85049/83, M85049/84



Ordering information

| Basic Series | ALBS | -A | 5 | S | W | -18 | 07 | -8 | -T |
|--|------|----|---|---|---|-----|----|----|----|
| Connector Interface: | | | | | | | | | |
| A – MIL-DTL-5015 (crimp, MS34), MIL-DTL-26482 series 2, MIL-DTL-83723 series 3 | | | | | | | | | |
| Coupling Ring Option: | | | | | | | | | |
| 5 – self locking coupling | | | | | | | | | |
| Angle Code: | | | | | | | | | |
| S – straight (M85049/82) | | | | | | | | | |
| F – 45° (M85049/83) | | | | | | | | | |
| N – 90° (M85049/84) | | | | | | | | | |
| Material & Finish Code | | | | | | | | | |
| Shell Size | | | | | | | | | |
| Cable Entry Code | | | | | | | | | |
| Length Code for Straight Parts: | | | | | | | | | |
| ST – for standard length (L) – 1.25" | | | | | | | | | |
| (1/2" increment, for example 8 = 4 inches) | | | | | | | | | |
| Banding Option: | | | | | | | | | |
| S – CF spring | | | | | | | | | |
| T – termination band | | | | | | | | | |
| Omit – for none | | | | | | | | | |



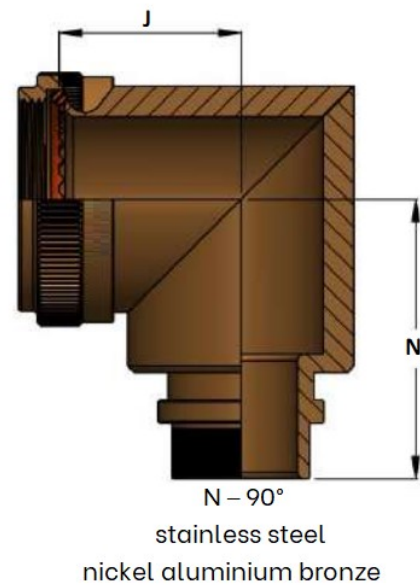
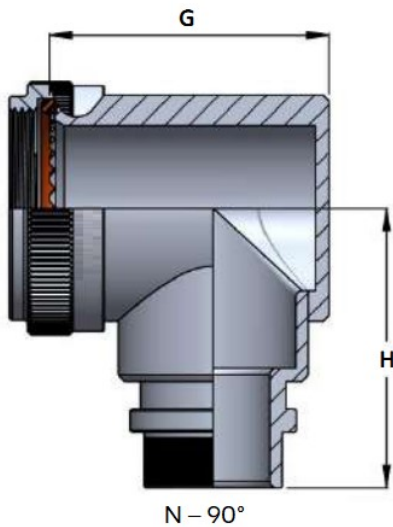
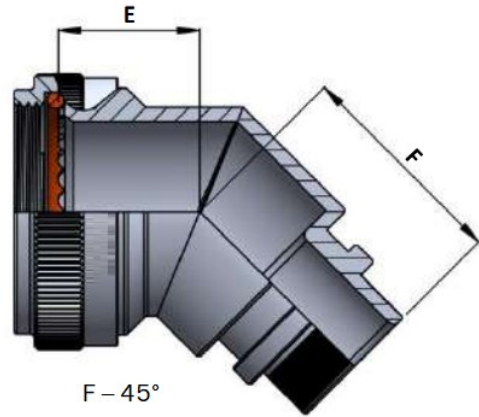
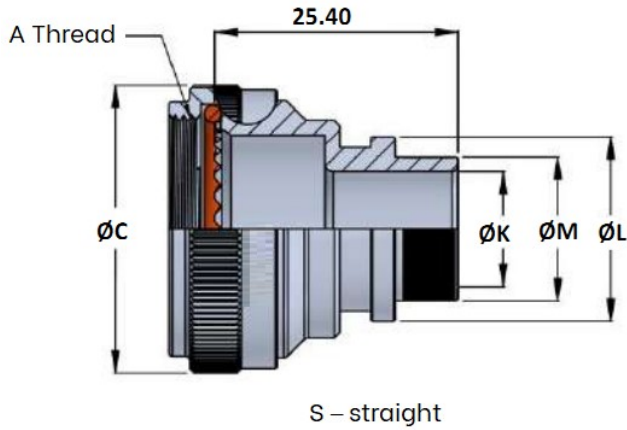
Dimensions

| Shell Size | A Thread | Ø C MAX | Cable Entry Code | |
|------------|------------------|---------|------------------|-------|
| 08 | 1/2 - 20 UNEF | 22.45 | 02 – 05 | |
| 10 | 5/8 - 24 UNEF | 25.65 | 02 – 07 | |
| 12 | 3/4 - 20 UNEF | 28.80 | 02 – 08 | |
| 14 | 7/8 - 20 UNEF | 32.00 | 02 – 10 | |
| 16 | 1 - 20 UNEF | 35.15 | 04 – 12 | |
| 18 | 1-1/16 - 18 UNEF | 38.35 | 05 – 12 | |
| 20 | 1-3/16 - 18 UNEF | 41.50 | 05 – 14 | |
| 22 | 1-5/16 - 18 UNEF | 44.70 | 06 – 16 | |
| 24 | 1-7/16 - 18 UNEF | 47.85 | 07 – 20 | |
| Shell Size | E MAX | F MAX | G MAX | H MAX |
| 08 | 22.10 | 27.40 | 30.20 | 31.00 |
| 10 | 22.60 | 27.20 | 32.50 | 33.00 |
| 12 | 23.40 | 27.10 | 35.70 | 32.80 |
| 14 | 23.90 | 28.90 | 38.90 | 34.40 |
| 16 | 24.40 | 29.20 | 42.10 | 37.70 |
| 18 | 24.90 | 30.10 | 43.60 | 37.70 |
| 20 | 25.40 | 30.30 | 46.80 | 39.30 |
| 22 | 26.20 | 30.60 | 49.20 | 41.60 |
| 24 | 26.70 | 32.50 | 53.20 | 42.60 |

| Cable Entry Code | Ø K +0.20 | Ø M MAX | Cable Entry Code | Ø K +0.20 | Ø M MAX |
|------------------|-----------|---------|------------------|-----------|---------|
| 02 | 3.20 | 10.41 | 12 | 19.00 | 26.21 |
| 03 | 4.70 | 11.91 | 13 | 20.60 | 27.81 |
| 04 | 6.30 | 13.51 | 14 | 22.20 | 29.41 |
| 05 | 7.90 | 15.11 | 15 | 23.80 | 31.01 |
| 06 | 9.50 | 16.71 | 16 | 25.40 | 32.61 |
| 07 | 11.10 | 18.31 | 17 | 27.00 | 34.21 |
| 08 | 12.70 | 19.91 | 18 | 28.60 | 35.81 |
| 09 | 14.20 | 21.41 | 19 | 30.20 | 37.41 |
| 10 | 15.80 | 23.01 | 20 | 31.80 | 39.01 |
| 11 | 17.40 | 24.61 | | | |

Series ALMR

EMI/RFI memory ring adapters, spin coupling



Ordering information

| Basic Series | ALMR | -A | 3 | S | W | -18 | 07 | -8 |
|--|------|----|---|---|---|-----|----|----|
| Connector Interface: | | | | | | | | |
| A – MIL-DTL-5015 (crimp, MS34), MIL-DTL-26482 series 2, MIL-DTL-83723 series 3 | | | | | | | | |
| Coupling Ring Option: | | | | | | | | |
| 3 – spin coupling | | | | | | | | |
| Angle Code: | | | | | | | | |
| S – straight | | | | | | | | |
| F – 45° | | | | | | | | |
| N – 90° | | | | | | | | |
| Material & Finish Code | | | | | | | | |
| Shell Size | | | | | | | | |
| Cable Entry Code | | | | | | | | |
| Length Code for Straight Parts: | | | | | | | | |
| ST – for standard length (L) – 1.00" | | | | | | | | |
| (1/2" increment, for example 8 = 4 inches) | | | | | | | | |



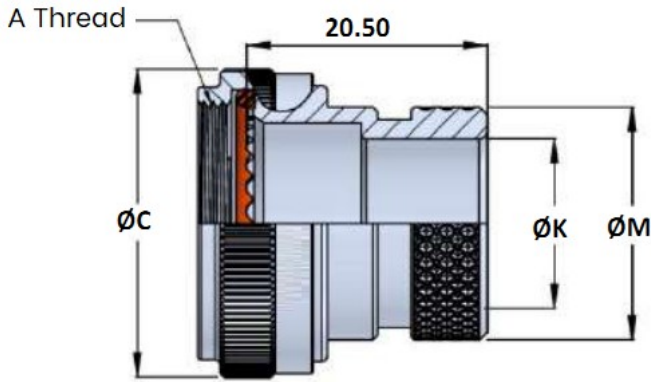
Dimensions

| Shell Size | A Thread | Ø C MAX | | Cable Entry Code | | |
|------------|------------------|---------|-------|------------------|-------|-------|
| 08 | 1/2 - 20 UNEF | 16.00 | | 04 – 05 | | |
| 10 | 5/8 - 24 UNEF | 18.70 | | 04 – 07 | | |
| 12 | 3/4 - 20 UNEF | 22.10 | | 04 – 08 | | |
| 14 | 7/8 - 20 UNEF | 25.20 | | 04 – 10 | | |
| 16 | 1 - 20 UNEF | 28.40 | | 04 – 12 | | |
| 18 | 1-1/16 - 18 UNEF | 31.10 | | 04 – 12 | | |
| 20 | 1-3/16 - 18 UNEF | 34.30 | | 04 – 14 | | |
| 22 | 1-5/16 - 18 UNEF | 37.50 | | 04 – 16 | | |
| 24 | 1-7/16 - 18 UNEF | 40.60 | | 04 – 20 | | |
| Shell Size | E MAX | F MAX | G MAX | H MAX | J MAX | N MAX |
| 08 | 18.10 | 28.30 | 25.70 | 27.00 | 18.50 | 27.20 |
| 10 | 18.30 | 29.00 | 27.70 | 28.70 | 19.80 | 29.00 |
| 12 | 18.80 | 29.50 | 30.20 | 29.40 | 21.40 | 30.50 |
| 14 | 19.60 | 30.50 | 31.70 | 31.10 | 22.50 | 32.00 |
| 16 | 20.50 | 31.20 | 35.20 | 33.40 | 24.00 | 33.70 |
| 18 | 20.70 | 32.00 | 38.20 | 33.50 | 25.00 | 33.70 |
| 20 | 21.60 | 32.40 | 43.20 | 35.10 | 26.70 | 35.10 |
| 22 | 21.80 | 31.60 | 45.20 | 36.70 | 28.20 | 36.70 |
| 24 | 23.30 | 34.00 | 46.20 | 38.20 | 29.70 | 38.20 |

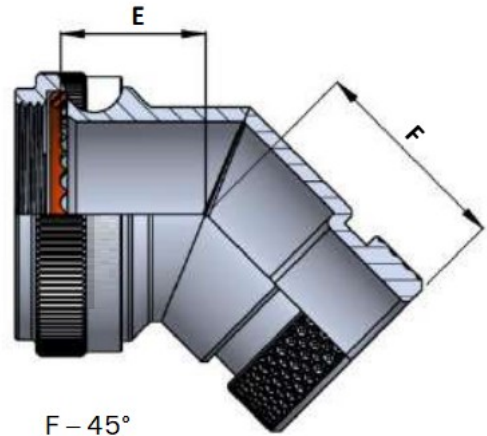
| Cable Entry Code | Ø K +0.20 | Ø M MAX | Ø L MAX | Cable Entry Code | Ø K +0.20 | Ø M MAX | Ø L MAX |
|------------------|-----------|---------|---------|------------------|-----------|---------|---------|
| 04 | 6.30 | 9.64 | 14.14 | 12 | 19.00 | 22.34 | 26.84 |
| 05 | 7.90 | 11.24 | 15.74 | 14 | 22.20 | 25.54 | 30.04 |
| 06 | 9.50 | 12.84 | 17.34 | 16 | 25.40 | 28.74 | 33.24 |
| 07 | 11.10 | 14.44 | 18.94 | 18 | 28.60 | 31.94 | 36.44 |
| 08 | 12.70 | 16.04 | 20.54 | 20 | 31.80 | 35.14 | 39.64 |
| 10 | 15.80 | 19.14 | 23.64 | | | | |

Series ALSA

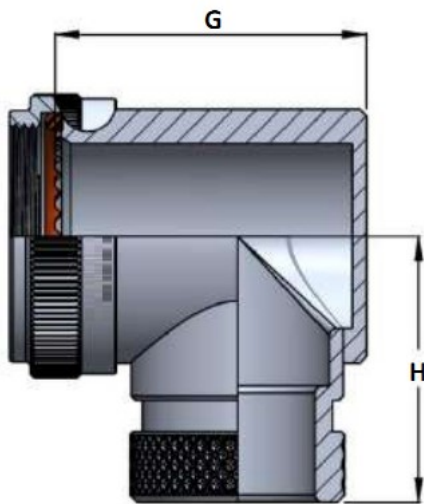
Shrink boot adapters, spin coupling. M85049/60-1



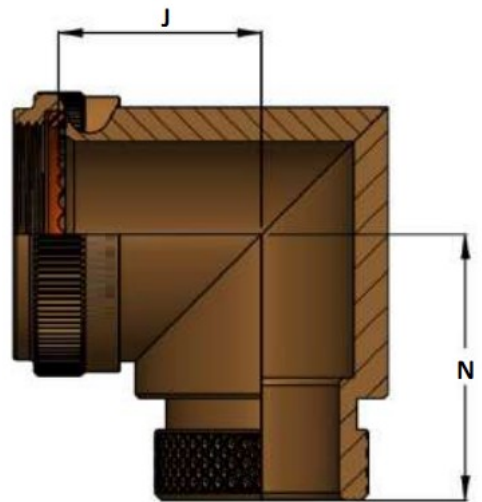
S – straight



F – 45°



N – 90°



N – 90°

stainless steel

nickel aluminium bronze

Ordering information

| Basic Series | ALSA | -A | 3 | S | W | -18 | DH |
|--|------|----|---|---|---|-----|----|
| Connector Interface: | | | | | | | |
| A – MIL-DTL-5015 (crimp, MS34), MIL-DTL-26482 series 2, MIL-DTL-83723 series 3 | | | | | | | |
| Coupling Ring Option: | | | | | | | |
| 3 – spin coupling | | | | | | | |
| Angle Code: | | | | | | | |
| S – straight (M85049/60-1) | | | | | | | |
| F – 45° | | | | | | | |
| N – 90° | | | | | | | |
| Material & Finish Code | | | | | | | |
| Shell Size | | | | | | | |
| Drain Holes Option: | | | | | | | |
| DH – Drain Holes | | | | | | | |
| Omit – for none | | | | | | | |

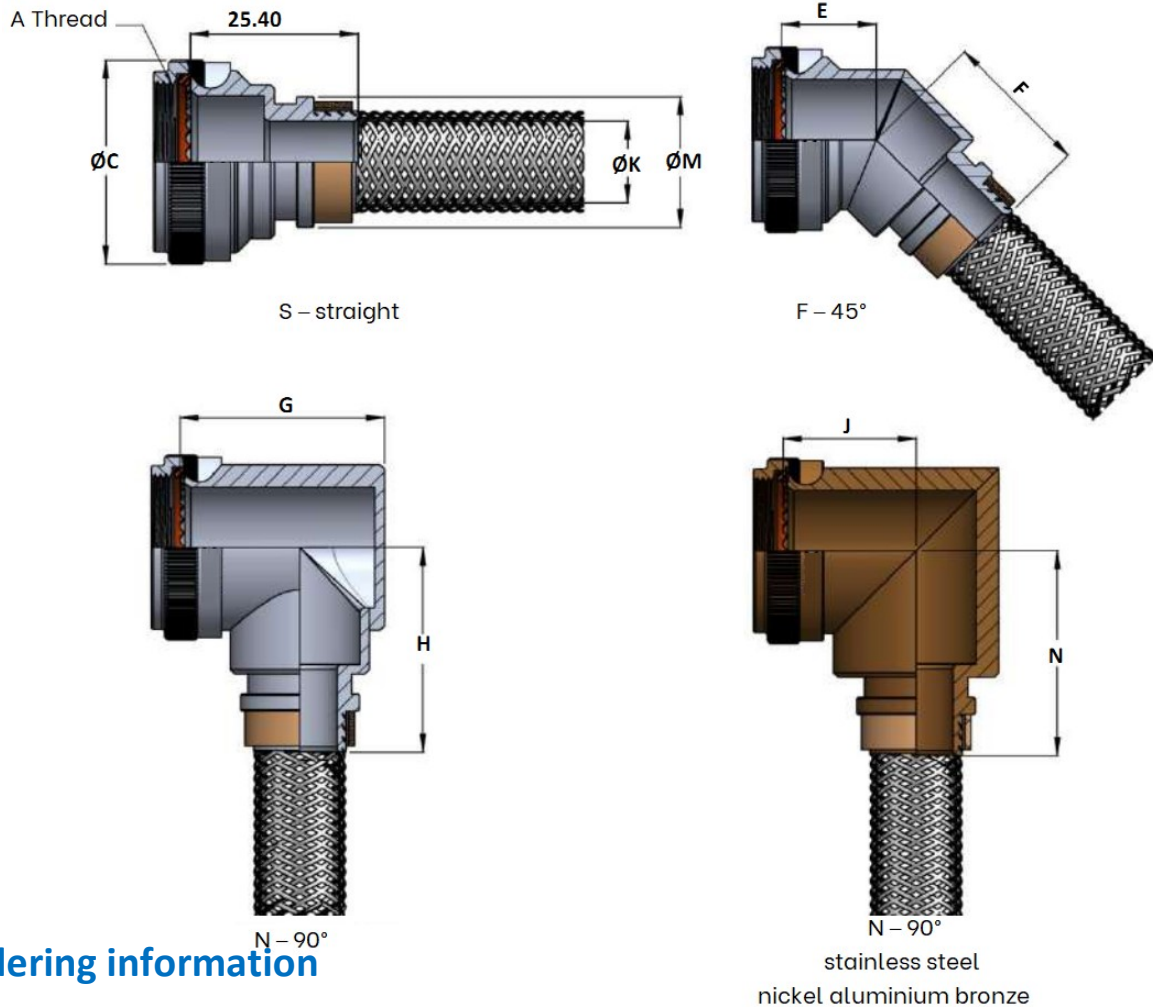


Dimensions

| Shell Size | A Thread | Ø C MAX | Ø K | Ø M | | |
|------------|------------------|---------|-------|-------|-------|-------|
| 08 | 1/2 - 20 UNEF | 16.00 | 6.35 | 13.54 | | |
| 10 | 5/8 - 24 UNEF | 18.70 | 9.52 | 15.37 | | |
| 12 | 3/4 - 20 UNEF | 22.10 | 12.70 | 19.66 | | |
| 14 | 7/8 - 20 UNEF | 25.20 | 15.88 | 21.29 | | |
| 16 | 1 - 20 UNEF | 28.40 | 19.05 | 24.46 | | |
| 18 | 1-1/16 - 18 UNEF | 31.10 | 20.62 | 26.47 | | |
| 20 | 1-3/16 - 18 UNEF | 34.30 | 23.80 | 30.91 | | |
| 22 | 1-5/16 - 18 UNEF | 37.50 | 26.97 | 34.42 | | |
| 24 | 1-7/16 - 18 UNEF | 40.60 | 30.18 | 36.65 | | |
| Shell Size | E MAX | F MAX | G MAX | H MAX | J MAX | N MAX |
| 08 | 18.10 | 18.10 | 25.70 | 26.00 | 18.50 | 26.00 |
| 10 | 18.30 | 19.00 | 27.70 | 27.70 | 19.80 | 27.70 |
| 12 | 18.80 | 20.10 | 30.20 | 29.20 | 21.40 | 29.20 |
| 14 | 19.60 | 20.40 | 31.70 | 30.70 | 22.50 | 30.70 |
| 16 | 20.50 | 21.20 | 35.20 | 32.40 | 24.00 | 32.40 |
| 18 | 20.70 | 21.50 | 38.20 | 32.40 | 25.00 | 32.40 |
| 20 | 21.60 | 22.10 | 43.20 | 34.00 | 26.70 | 34.00 |
| 22 | 21.80 | 23.00 | 45.20 | 35.60 | 28.20 | 35.60 |
| 24 | 23.30 | 23.40 | 46.20 | 37.10 | 29.70 | 37.10 |

Series ALSS

EMI/RFI shield sock shrink boot adapters, spin coupling M85049/109 & M85049/111



Ordering information

| Basic Series | ALSS | -A | 3 | S | W | -18 | 07 | -08 | -6 |
|---|------|----|---|---|---|-----|----|-----|----|
| Connector Interface: | | | | | | | | | |
| A – MIL-DTL-5015 (crimp, MS34), MIL-DTL-26482 series 2, MIL-DTL-83723 series 3 | | | | | | | | | |
| Coupling Ring Option: | | | | | | | | | |
| 3 – spin coupling | | | | | | | | | |
| Angle Code: | | | | | | | | | |
| S – straight (M85049/109) | | | | | | | | | |
| F – 45° | | | | | | | | | |
| N – 90° (M85049/111) | | | | | | | | | |
| Material & Finish Code | | | | | | | | | |
| Shell Size | | | | | | | | | |
| Cable Entry Code | | | | | | | | | |
| Braid Length Code: | | | | | | | | | |
| Standard supply will be 6.00" (custom option available in 1" increment. for example 8 = 8 inches) | | | | | | | | | |
| Length Code for Straight Parts: | | | | | | | | | |
| ST – for standard length (L) – 1.00" | | | | | | | | | |
| (1/2" increment, for example 8 = 4 inches) | | | | | | | | | |



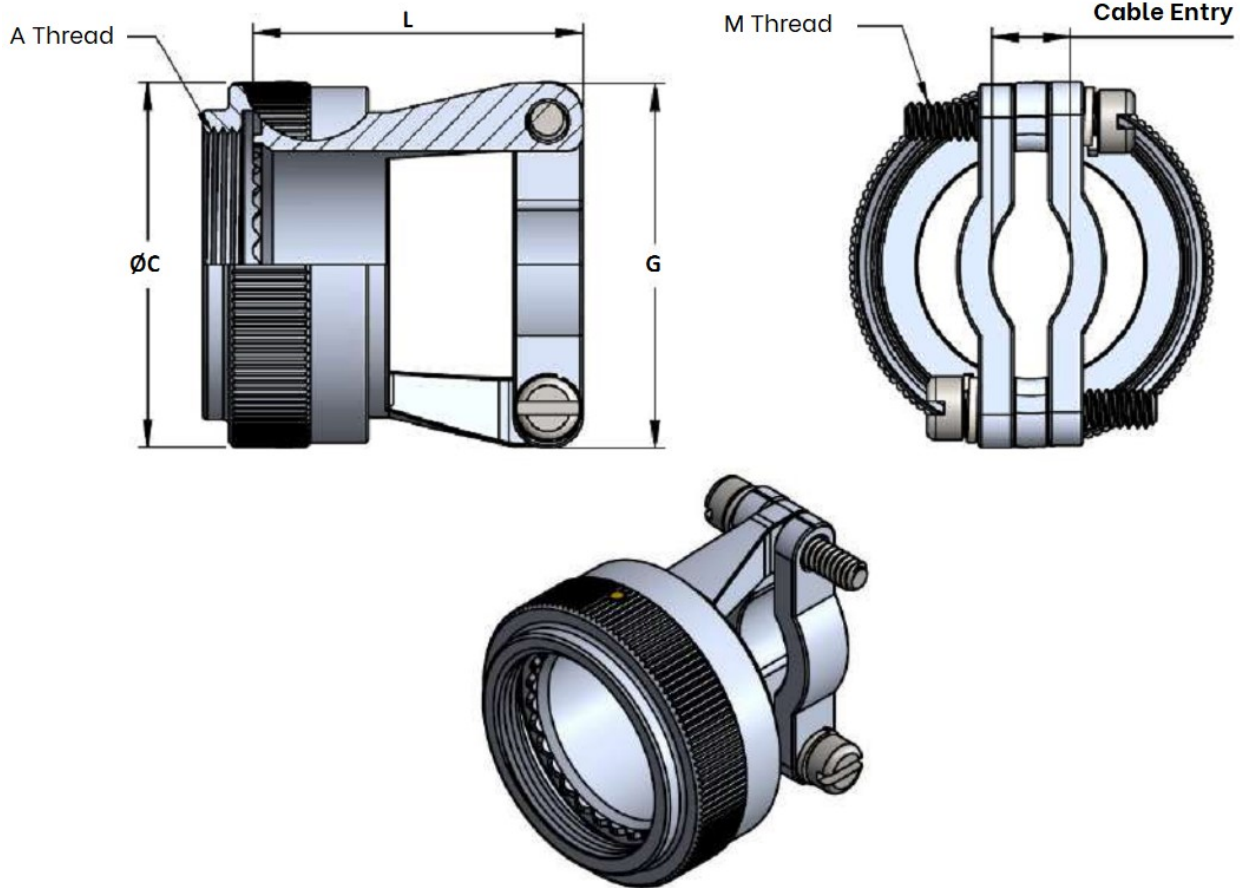
Dimensions

| Shell Size | A Thread | Ø C MAX | | Cable Entry Code | | |
|------------|------------------|---------|-------|------------------|-------|-------|
| 08 | 1/2 - 20 UNEF | 16.00 | | 03 – 04 | | |
| 10 | 5/8 - 24 UNEF | 18.70 | | 03 – 06 | | |
| 12 | 3/4 - 20 UNEF | 22.10 | | 03 – 08 | | |
| 14 | 7/8 - 20 UNEF | 25.20 | | 03 – 09 | | |
| 16 | 1 - 20 UNEF | 28.40 | | 03 – 11 | | |
| 18 | 1-1/16 - 18 UNEF | 31.10 | | 03 – 13 | | |
| 20 | 1-3/16 - 18 UNEF | 34.30 | | 03 – 15 | | |
| 22 | 1-5/16 - 18 UNEF | 37.50 | | 03 – 17 | | |
| 24 | 1-7/16 - 18 UNEF | 40.60 | | 03 – 18 | | |
| Shell Size | E MAX | F MAX | G MAX | H MAX | J MAX | N MAX |
| 08 | 18.10 | 17.90 | 25.70 | 25.80 | 18.50 | 25.80 |
| 10 | 18.30 | 18.20 | 27.70 | 26.50 | 19.80 | 26.50 |
| 12 | 18.80 | 18.60 | 30.20 | 27.50 | 21.40 | 27.50 |
| 14 | 19.60 | 19.40 | 31.70 | 29.10 | 22.50 | 29.10 |
| 16 | 20.50 | 20.20 | 35.20 | 31.20 | 24.00 | 31.20 |
| 18 | 20.70 | 20.50 | 38.20 | 31.20 | 25.00 | 31.20 |
| 20 | 21.60 | 21.30 | 43.20 | 33.00 | 26.70 | 33.00 |
| 22 | 21.80 | 21.60 | 45.20 | 34.60 | 28.20 | 34.60 |
| 24 | 23.30 | 23.00 | 46.20 | 36.10 | 29.70 | 36.10 |

| Cable Entry Code | Ø K +0.20 | Ø M MAX | Cable Entry Code | Ø K +0.20 | Ø M MAX |
|------------------|-----------|---------|------------------|-----------|---------|
| 03 | 4.70 | 12.40 | 11 | 17.40 | 25.10 |
| 04 | 6.30 | 14.00 | 12 | 19.00 | 26.70 |
| 05 | 7.90 | 15.60 | 13 | 20.60 | 28.30 |
| 06 | 9.50 | 17.20 | 14 | 22.20 | 29.90 |
| 07 | 11.10 | 18.80 | 15 | 23.80 | 31.50 |
| 08 | 12.70 | 20.40 | 16 | 25.40 | 33.10 |
| 09 | 14.20 | 21.90 | 17 | 27.00 | 34.70 |
| 10 | 15.80 | 23.50 | 18 | 28.60 | 36.30 |

Series ALSB

Straight Strain Reliefs, spin coupling. M85049/52



Ordering information

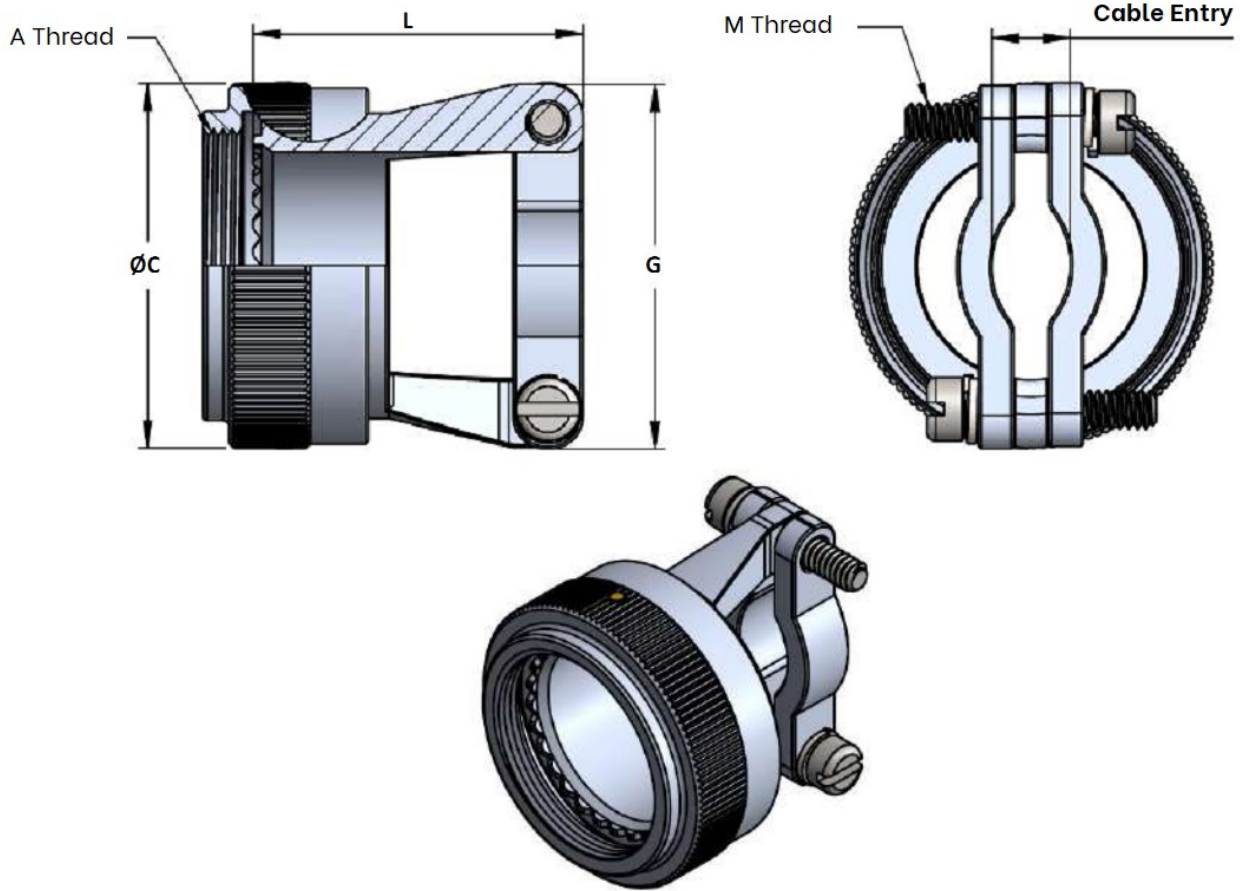
| | | | | | |
|--|-------------|-----------|----------|----------|------------|
| Basic Series | ALSB | -A | 3 | S | -14 |
| Connector Interface: | | | | | |
| A – MIL-DTL-5015 (crimp, MS34), MIL-DTL-26482 series 2, MIL-DTL-83723 series 3 | | | | | |
| Coupling Ring Option: | | | | | |
| 3 – spin coupling | | | | | |
| Material & Finish Code | | | | | |
| Shell Size | | | | | |

Dimensions

| Shell Size | A Thread | Ø C MAX | Cable Entry | L MAX | G MAX | M Thread |
|------------|------------------|---------|---------------|-------|-------|----------|
| 08 | 1/2 - 20 UNEF | 16.00 | 3.20 – 5.20 | 16.00 | 19.90 | 6-32 |
| 10 | 5/8 - 24 UNEF | 18.70 | 4.70 – 7.30 | 18.80 | 21.90 | 6-32 |
| 12 | 3/4 - 20 UNEF | 22.10 | 7.40 – 10.60 | 21.84 | 25.50 | 6-32 |
| 14 | 7/8 - 20 UNEF | 25.20 | 8.90 – 12.10 | 21.84 | 26.90 | 6-32 |
| 16 | 1 - 20 UNEF | 28.40 | 12.70 – 15.90 | 25.15 | 33.90 | 6-32 |
| 18 | 1-1/16 - 18 UNEF | 31.10 | 13.20 – 17.90 | 31.50 | 37.20 | 8-32 |
| 20 | 1-3/16 - 18 UNEF | 34.30 | 14.80 – 21.10 | 34.54 | 39.90 | 8-32 |
| 22 | 1-5/16 - 18 UNEF | 37.50 | 16.40 – 24.30 | 37.85 | 42.90 | 8-32 |
| 24 | 1-7/16 - 18 UNEF | 40.60 | 17.90 – 27.50 | 40.89 | 45.50 | 8-32 |

Series ALSB

Straight Strain Reliefs, self locking coupling. M85049/52



Ordering information

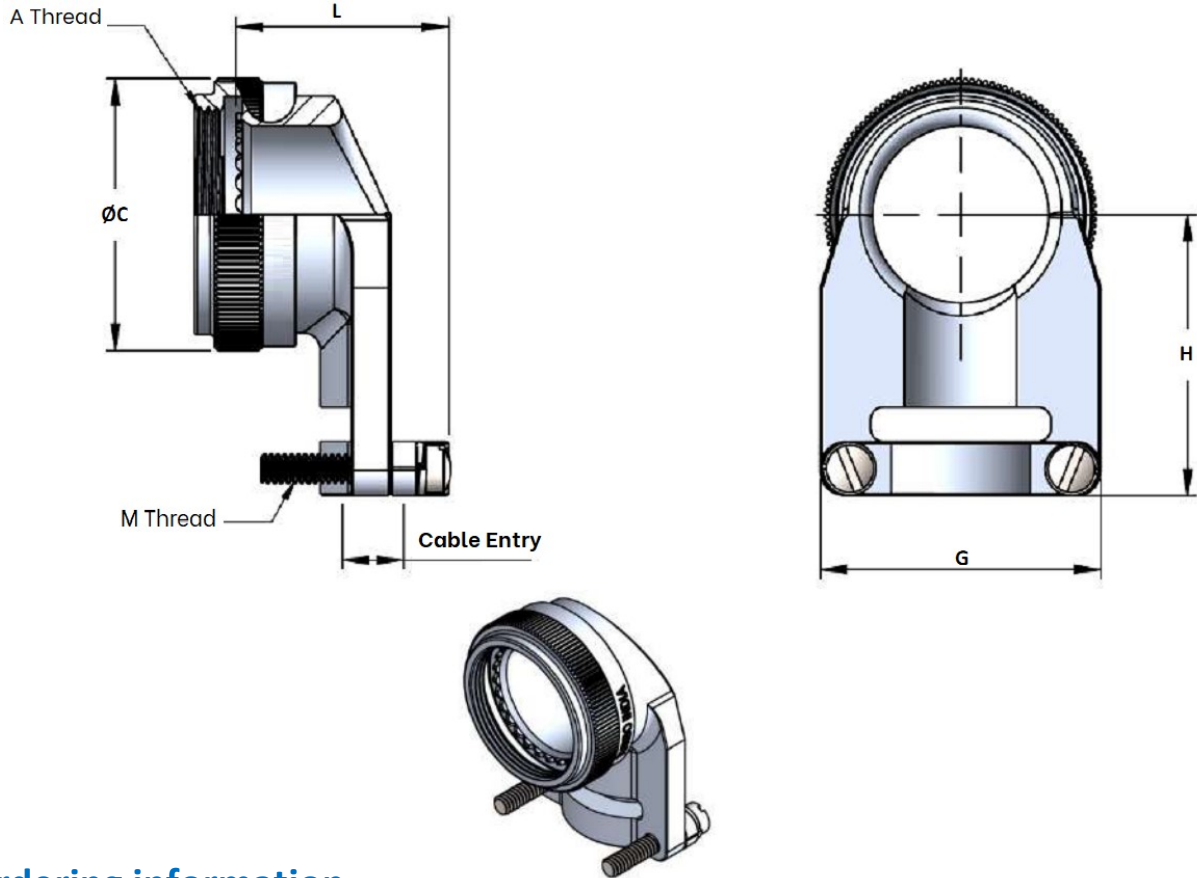
| | | | | | |
|--|-------------|-----------|----------|----------|------------|
| Basic Series | ALSB | -A | 5 | S | -14 |
| Connector Interface: | | | | | |
| A – MIL-DTL-5015 (crimp, MS34), MIL-DTL-26482 series 2, MIL-DTL-83723 series 3 | | | | | |
| Coupling Ring Option: | | | | | |
| 5 – self locking coupling | | | | | |
| Material & Finish Code | | | | | |
| Shell Size | | | | | |

Dimensions

| Shell Size | A Thread | Ø C MAX | Cable Entry | L MAX | G MAX | M Thread |
|------------|------------------|---------|---------------|-------|-------|----------|
| 08 | 1/2 - 20 UNEF | 22.45 | 3.20 – 5.20 | 18.54 | 19.90 | 6-32 |
| 10 | 5/8 - 24 UNEF | 25.65 | 4.70 – 7.30 | 21.59 | 21.90 | 6-32 |
| 12 | 3/4 - 20 UNEF | 28.80 | 7.40 – 10.60 | 24.89 | 25.50 | 6-32 |
| 14 | 7/8 - 20 UNEF | 32.00 | 8.90 – 12.10 | 24.89 | 26.90 | 6-32 |
| 16 | 1 - 20 UNEF | 35.15 | 12.70 – 15.90 | 27.94 | 33.90 | 6-32 |
| 18 | 1-1/16 - 18 UNEF | 38.35 | 13.20 – 17.90 | 34.29 | 37.20 | 8-32 |
| 20 | 1-3/16 - 18 UNEF | 41.50 | 14.80 – 21.10 | 37.59 | 39.90 | 8-32 |
| 22 | 1-5/16 - 18 UNEF | 44.70 | 16.40 – 24.30 | 40.64 | 42.90 | 8-32 |
| 24 | 1-7/16 - 18 UNEF | 47.85 | 17.90 – 27.50 | 43.94 | 45.50 | 8-32 |

Series ALAB

90° Strain Reliefs, spin coupling. M85049/51



Ordering information

| | | | | | |
|------------------------|--|-----------|----------|----------|------------|
| Basic Series | ALAB | -A | 3 | S | -14 |
| Connector Interface: | A – MIL-DTL-5015 (crimp, MS34), MIL-DTL-26482 series 2, MIL-DTL-83723 series 3 | | | | |
| Coupling Ring Option: | 3 – spin coupling | | | | |
| Material & Finish Code | | | | | |
| Shell Size | | | | | |

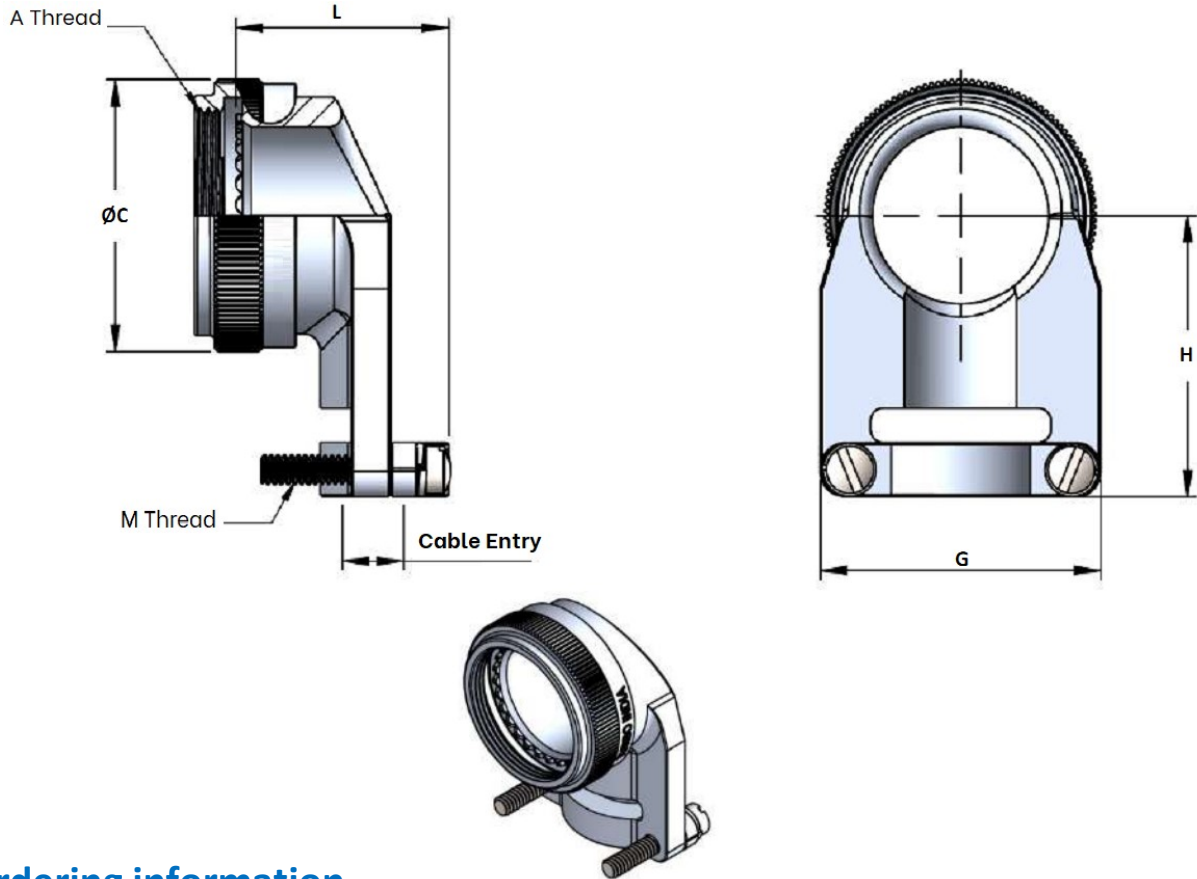
Dimensions

| Shell Size | A Thread | Ø C MAX | Cable Entry | L MAX | G MAX | H MAX | M Thread |
|------------|------------------|---------|---------------|-------|-------|-------|----------|
| 08 | 1/2 - 20 UNEF | 16.00 | 3.20 – 5.20 | 19.81 | 19.90 | 18.85 | 6-32 |
| 10 | 5/8 - 24 UNEF | 18.70 | 4.70 – 7.30 | 21.84 | 21.90 | 20.45 | 6-32 |
| 12 | 3/4 - 20 UNEF | 22.10 | 7.40 – 10.60 | 26.67 | 25.50 | 22.02 | 6-32 |
| 14 | 7/8 - 20 UNEF | 25.20 | 8.90 – 12.10 | 28.19 | 26.90 | 23.62 | 6-32 |
| 16 | 1 - 20 UNEF | 28.40 | 12.70 – 15.90 | 32.00 | 33.90 | 25.25 | 6-32 |
| 18 | 1-1/16 - 18 UNEF | 31.10 | 13.20 – 17.90 | 34.80 | 37.20 | 29.74 | 8-32 |
| 20 | 1-3/16 - 18 UNEF | 34.30 | 14.80 – 21.10 | 38.10 | 39.90 | 31.34 | 8-32 |
| 22 | 1-5/16 - 18 UNEF | 37.50 | 16.40 – 24.30 | 41.15 | 42.90 | 32.92 | 8-32 |
| 24 | 1-7/16 - 18 UNEF | 40.60 | 17.90 – 27.50 | 44.45 | 45.50 | 34.49 | 8-32 |



Series ALSB

90° Strain Reliefs, self locking coupling. M85049/51



Ordering information

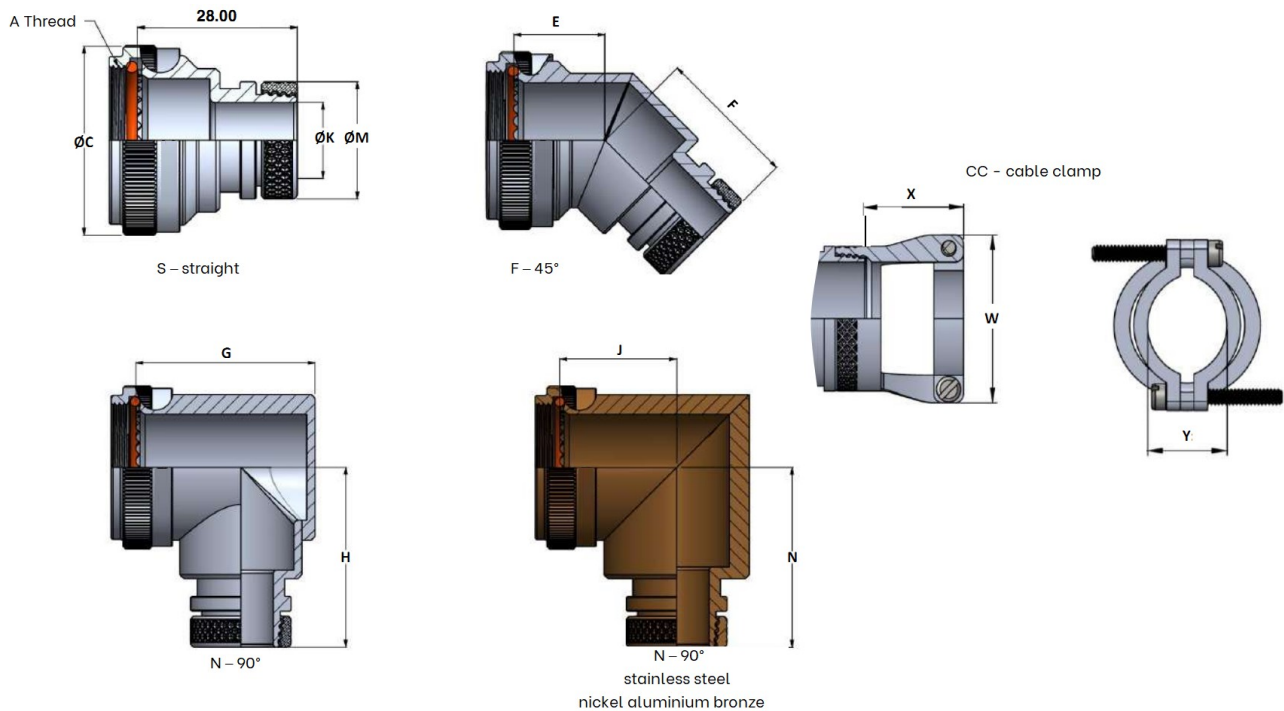
| | | | | | |
|------------------------|--|-----------|----------|----------|------------|
| Basic Series | ALAB | -A | 5 | S | -14 |
| Connector Interface: | A – MIL-DTL-5015 (crimp, MS34), MIL-DTL-26482 series 2, MIL-DTL-83723 series 3 | | | | |
| Coupling Ring Option: | 5 – self locking coupling | | | | |
| Material & Finish Code | | | | | |
| Shell Size | | | | | |

Dimensions

| Shell Size | A Thread | Ø C MAX | Cable Entry | L MAX | G MAX | H MAX | M Thread |
|------------|------------------|------------|---------------|----------|----------|----------|-------------|
| 08 | 1/2 - 20 UNEF | 22.45 | 3.20 – 5.20 | 23.62 | 19.90 | 18.85 | 6-32 |
| 10 | 5/8 - 24 UNEF | 25.65 | 4.70 – 7.30 | 25.91 | 21.90 | 20.45 | 6-32 |
| 12 | 3/4 - 20 UNEF | 28.80 | 7.40 – 10.60 | 30.73 | 25.50 | 22.02 | 6-32 |
| 14 | 7/8 - 20 UNEF | 32.00 | 8.90 – 12.10 | 32.26 | 26.90 | 23.62 | 6-32 |
| 16 | 1 - 20 UNEF | 35.15 | 12.70 – 15.90 | 36.07 | 33.90 | 25.25 | 6-32 |
| 18 | 1-1/16 - 18 UNEF | 38.35 | 13.20 – 17.90 | 38.86 | 37.20 | 29.74 | 8-32 |
| 20 | 1-3/16 - 18 UNEF | 41.50 | 14.80 – 21.10 | 41.91 | 39.90 | 31.34 | 8-32 |
| 22 | 1-5/16 - 18 UNEF | 44.70 | 16.40 – 24.30 | 45.21 | 42.90 | 32.92 | 8-32 |
| 24 | 1-7/16 - 18 UNEF | 47.85 | 17.90 – 27.50 | 48.26 | 45.50 | 34.49 | 8-32 |

Series ALLB

EMI/RFI lamp base thread shrink boot adapters, spin coupling



Ordering information

| Basic Series | ALLB | -A | 3 | S | W | -18 | 07 | -8 | -CC |
|--|------|----|---|---|---|-----|----|----|-----|
| Connector Interface: | | | | | | | | | |
| A – MIL-DTL-5015 (crimp, MS34), MIL-DTL-26482 series 2, MIL-DTL-83723 series 3 | | | | | | | | | |
| Coupling Ring Option: | | | | | | | | | |
| 3 – spin coupling | | | | | | | | | |
| Angle Code: | | | | | | | | | |
| S – straight | | | | | | | | | |
| F – 45° | | | | | | | | | |
| N – 90° | | | | | | | | | |
| Material & Finish Code | | | | | | | | | |
| Shell Size | | | | | | | | | |
| Cable Entry Code | | | | | | | | | |
| Length Code for Straight Parts: | | | | | | | | | |
| ST – for standard length (L) – 1.10" | | | | | | | | | |
| (1/2" increment, for example 8 = 4 inches) | | | | | | | | | |
| Cable Clamp Option: | | | | | | | | | |
| CC – Cable Clamp | | | | | | | | | |
| Omit – back nut | | | | | | | | | |



Dimensions

| Shell Size | A Thread | Ø C MAX | Cable Clamp | | | |
|------------|------------------|------------|-------------|----------|-------|-------|
| | | | F MAX | H MAX | N MAX | |
| 08 | 1/2 - 20 UNEF | 16.00 | 25.00 | 31.50 | 31.50 | |
| 10 | 5/8 - 24 UNEF | 18.70 | 25.70 | 33.20 | 33.20 | |
| 12 | 3/4 - 20 UNEF | 22.10 | 26.10 | 34.00 | 34.00 | |
| 14 | 7/8 - 20 UNEF | 25.20 | 27.00 | 35.40 | 35.40 | |
| 16 | 1 - 20 UNEF | 28.40 | 27.80 | 37.90 | 37.90 | |
| 18 | 1-1/16 - 18 UNEF | 31.10 | 28.30 | 37.90 | 37.90 | |
| 20 | 1-3/16 - 18 UNEF | 34.30 | 29.20 | 39.50 | 39.50 | |
| 22 | 1-5/16 - 18 UNEF | 37.50 | 29.50 | 41.20 | 41.20 | |
| 24 | 1-7/16 - 18 UNEF | 40.60 | 30.40 | 42.60 | 42.60 | |
| Shell Size | E MAX | G MAX | J MAX | Back Nut | | |
| | | | | F MAX | H MAX | N MAX |
| 08 | 18.10 | 25.70 | 18.50 | 21.00 | 27.50 | 27.50 |
| 10 | 18.30 | 27.70 | 19.80 | 21.70 | 29.20 | 29.20 |
| 12 | 18.80 | 30.20 | 21.40 | 22.10 | 30.00 | 30.00 |
| 14 | 19.60 | 31.70 | 22.50 | 23.00 | 31.40 | 31.40 |
| 16 | 20.50 | 35.20 | 24.00 | 23.80 | 33.90 | 33.90 |
| 18 | 20.70 | 38.20 | 25.00 | 24.30 | 33.90 | 33.90 |
| 20 | 21.60 | 43.20 | 26.70 | 25.20 | 35.50 | 35.50 |
| 22 | 21.80 | 45.20 | 28.20 | 25.50 | 37.20 | 37.20 |
| 24 | 23.30 | 46.20 | 29.70 | 26.40 | 38.60 | 38.60 |



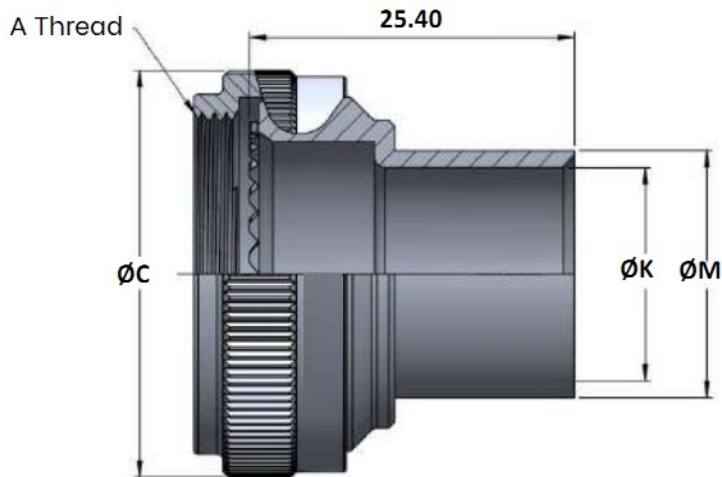
Dimensions

| Shell Size | Cable Entry Code |
|------------|------------------|
| 08 | 03 |
| 10 | 03 – 07 |
| 12 | 03 – 08 |
| 14 | 03 – 08 |
| 16 | 03 – 10 |
| 18 | 03 – 12 |
| 20 | 03 – 14 |
| 22 | 03 – 16 |
| 24 | 03 – 18 |

| Cable Entry Code | Ø K +0.20 | Ø M MAX | W MAX | X MAX | Y MAX |
|------------------|-----------|---------|-------|-------|-------|
| 03 | 4.70 | 15.20 | 17.50 | 12.80 | 5.80 |
| 04 | 6.30 | 15.20 | 19.10 | 12.80 | 5.70 |
| 05 | 7.90 | 16.80 | 20.70 | 12.80 | 6.80 |
| 06 | 9.50 | 18.40 | 22.30 | 12.80 | 6.90 |
| 07 | 11.10 | 20.00 | 23.80 | 12.80 | 8.10 |
| 08 | 12.70 | 21.60 | 25.30 | 15.80 | 8.50 |
| 09 | 14.20 | 23.20 | 27.00 | 15.80 | 9.70 |
| 10 | 15.80 | 24.80 | 28.60 | 15.80 | 10.40 |
| 11 | 17.40 | 26.40 | 30.30 | 18.80 | 11.50 |
| 12 | 19.00 | 27.90 | 31.80 | 18.80 | 11.50 |
| 13 | 20.60 | 29.50 | 33.30 | 18.80 | 14.00 |
| 14 | 22.20 | 31.10 | 35.00 | 21.80 | 15.40 |
| 15 | 23.80 | 32.70 | 36.70 | 21.80 | 16.80 |
| 16 | 25.40 | 34.30 | 38.10 | 21.80 | 17.30 |
| 17 | 27.00 | 35.90 | 39.70 | 21.80 | 18.80 |
| 18 | 28.60 | 37.50 | 41.30 | 21.80 | 19.50 |

Series ALCR

Crimp ring backshells, spin coupling. M85049/26-1



Ordering information

| Basic Series | ALCR | -A | 3 | S | -14 |
|--|------|----|---|---|-----|
| Connector Interface: A – MIL-DTL-5015 (crimp, MS34), MIL-DTL-26482 series 2, MIL-DTL-83723 series 3 | | | | | |
| Coupling Ring Option: 3 – spin coupling | | | | | |
| Material & Finish Code | | | | | |
| Shell Size | | | | | |

Dimensions

| Shell Size | A Thread | Ø C MAX | Ø K MAX | Ø M MAX |
|------------|------------------|---------|---------|---------|
| 08 | 1/2 - 20 UNEF | 16.00 | 6.40 | 8.60 |
| 10 | 5/8 - 24 UNEF | 18.70 | 8.30 | 12.40 |
| 12 | 3/4 - 20 UNEF | 22.10 | 10.70 | 12.70 |
| 14 | 7/8 - 20 UNEF | 25.20 | 13.70 | 15.70 |
| 16 | 1 - 20 UNEF | 28.40 | 17.00 | 19.10 |
| 18 | 1-1/16 - 18 UNEF | 31.10 | 20.00 | 22.40 |
| 20 | 1-3/16 - 18 UNEF | 34.30 | 23.20 | 25.40 |
| 22 | 1-5/16 - 18 UNEF | 37.50 | 26.40 | 28.40 |
| 24 | 1-7/16 - 18 UNEF | 40.60 | 28.20 | 30.30 |



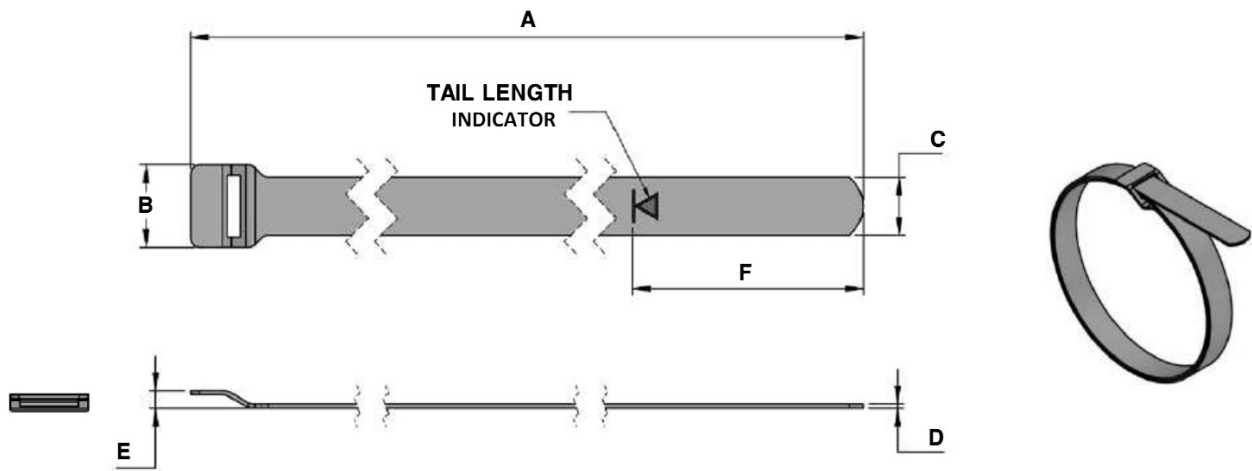
Termination Accessories



Series AL128

Termination Bands. M85049/128

Stamped Buckle



Ordering information

| Basic Series | AL128 | LB | -03 | -01 |
|----------------------|-------|----|-----|-----|
| Band Type: | | | | |
| LB – standard | | | | |
| MB – mini | | | | |
| Buckle Style: | | | | |
| 03, 07, 09 – stamped | | | | |
| Supplied Type: | | | | |
| 01 – coiled | | | | |
| Omit – flat | | | | |

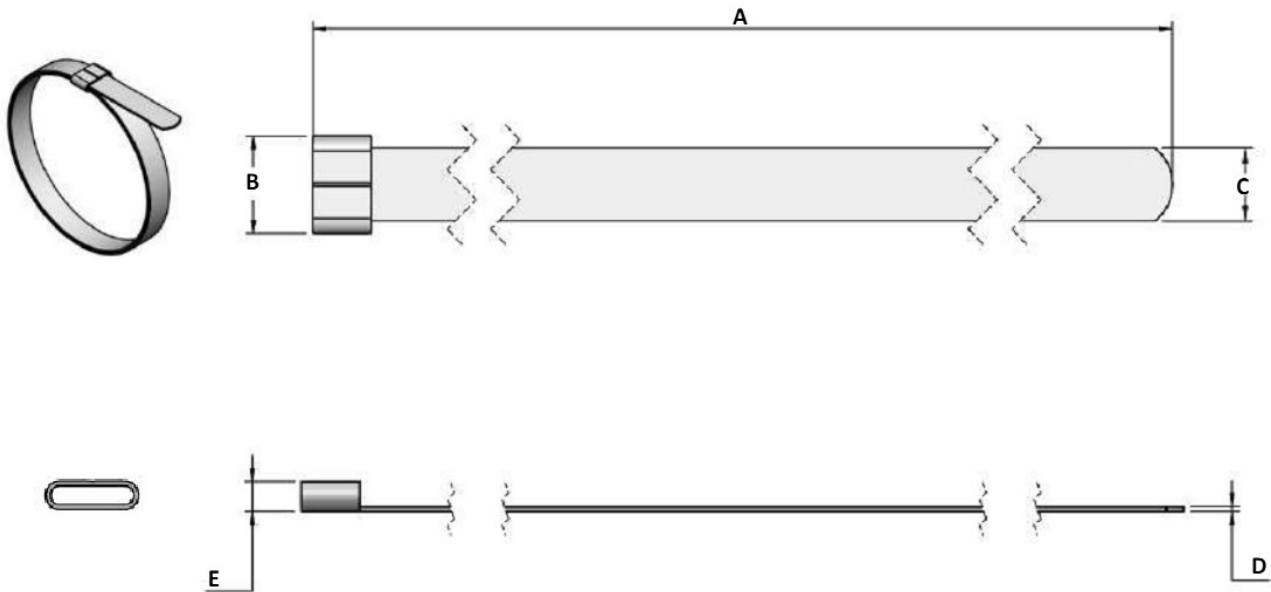
Dimensions

| Part Number | A ± 1.52 | B ± 0.79 | C ± 0.26 | D | E |
|---------------|----------|----------|----------|------|------|
| AL128LB-03 | 361.95 | 8.89 | 6.35 | 0.51 | 3.30 |
| AL128LB-03-01 | 361.95 | 8.89 | 6.35 | 0.51 | 3.30 |
| AL128MB-07 | 206.38 | 4.95 | 3.05 | 0.38 | 1.35 |
| AL128MB-07-01 | 206.38 | 4.95 | 3.05 | 0.38 | 1.35 |
| AL128MB-09 | 361.95 | 4.95 | 3.05 | 0.38 | 1.35 |
| AL128MB-09-01 | 361.95 | 4.95 | 3.05 | 0.38 | 1.35 |

Series AL128

Termination Bands. M85049/128

Welded Buckle



Ordering information

| Basic Series | AL128 | LB | -05 | -01 |
|-----------------|-------|----|-----|-----|
| Band Type: | | | | |
| LB – standard | | | | |
| MB – mini | | | | |
| Buckle Style: | | | | |
| 01, 05 – welded | | | | |
| Supplied Type: | | | | |
| 01 – coiled | | | | |
| Omit – flat | | | | |

Dimensions

| Part Number | A ± 1.52 | B ± 0.79 | C ± 0.26 | D | E |
|---------------|----------|----------|----------|------|------|
| AL128LB-01 | 355.60 | 8.33 | 6.22 | 0.50 | 2.54 |
| AL128LB-01-01 | 355.60 | 8.33 | 6.22 | 0.50 | 2.54 |
| AL128MB-05 | 241.30 | 5.03 | 2.99 | 0.40 | 2.03 |
| AL128MB-05-01 | 241.30 | 5.03 | 2.99 | 0.40 | 2.03 |
| AL128LB-01 | 355.60 | 8.33 | 6.22 | 0.50 | 2.54 |
| AL128LB-01-01 | 355.60 | 8.33 | 6.22 | 0.50 | 2.54 |

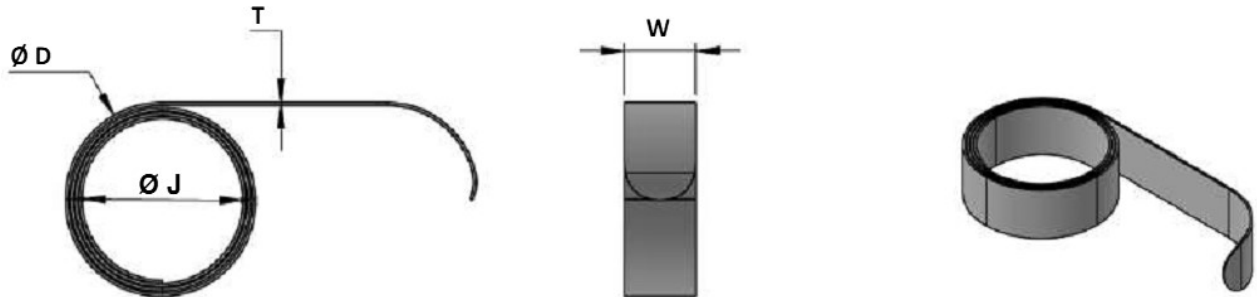


Cross Reference List

| AL128 series | M85049/128 | GLENAIR |
|---------------------|-------------------|----------------|
| AL128LB-03 | -3 | 600-052 |
| AL128LB-03-01 | -4 | 600-052-1 |
| AL128MB-07 | -7 | 600-057 |
| AL128MB-07-01 | -8 | 600-057-1 |
| AL128MB-09 | - | 600-083 |
| AL128MB-09-01 | - | 600-083-1 |
| AL128LB-01 | -1 | - |
| AL128LB-01-01 | -2 | - |
| AL128MB-05 | -5 | - |
| AL128MB-05-01 | -6 | - |

Series ALSWB

Spring Band



| Part number | Ø J | Ø D (+0/-1.0) | T (± 0.01) | W (+0.05/-0.13) | Spring length (±5) | Turns |
|-------------|-------|------------------|---------------|--------------------|-----------------------|-------|
| ALSWB-050 | 7.10 | 8.50 | 0.11 | 9.53 | 107.90 | 4.25 |
| ALSWB-100 | 8.20 | 9.10 | 0.11 | 9.53 | 119.00 | 4.25 |
| ALSWB-200 | 12.70 | 14.40 | 0.18 | 9.53 | 127.00 | 3.00 |
| ALSWB-300 | 18.46 | 19.51 | 0.26 | 9.53 | 232.00 | 4.25 |
| ALSWB-400 | 25.91 | 26.86 | 0.31 | 9.53 | 217.50 | 3.50 |

| Backshell Entry Code | Ø J | Part Number Spring Band |
|----------------------|-------|-------------------------|
| 03 | 4.70 | ALSWB-050 |
| 04 | 6.30 | ALSWB-050 |
| 05 | 7.90 | ALSWB-100 |
| 06 | 9.50 | ALSWB-100 |
| 07 | 11.10 | ALSWB-100 |
| 08 | 12.70 | ALSWB-200 |
| 09 | 14.20 | ALSWB-200 |
| 10 | 15.80 | ALSWB-200 |
| 11 | 17.40 | ALSWB-200 |
| 12 | 19.00 | ALSWB-300 |
| 13 | 20.60 | ALSWB-300 |
| 14 | 22.20 | ALSWB-300 |
| 15 | 23.80 | ALSWB-300 |
| 16 | 25.40 | ALSWB-300 |
| 17 | 27.00 | ALSWB-400 |
| 18 | 28.60 | ALSWB-400 |
| 19 | 30.20 | ALSWB-400 |
| 20 | 31.80 | ALSWB-400 |
| 21 | 33.30 | ALSWB-400 |
| 22 | 35.00 | ALSWB-400 |
| 23 | 36.50 | ALSWB-400 |
| 24 | 38.10 | ALSWB-400 |



Protective Caps

Dummy Stowage Receptacles

MIL-DTL-38999

MIL-DTL-26482

MIL-DTL-5015 (MS34)

VG95234

Product Finder






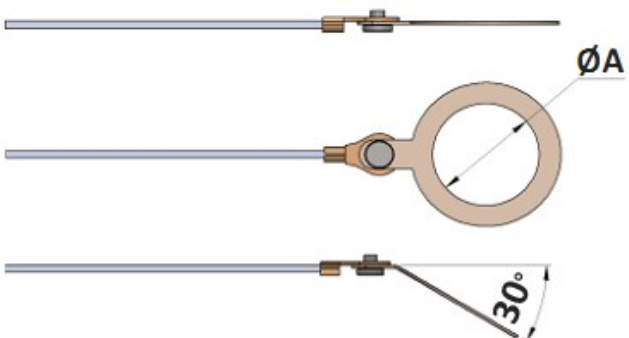

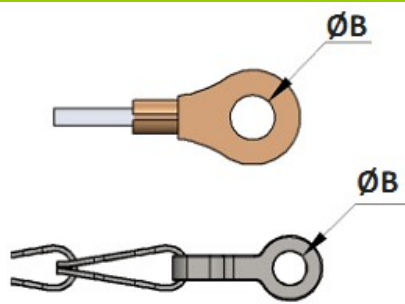
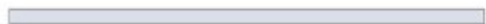

| Series Code | for Plugs | for Receptacles | Description |
|-----------------|---|---|--|
| Series 12 & 13 |  |  | Protective Caps MIL-DTL-38999 series 1 (bayonet) |
| Series 22 & 23 |  |  | Protective Caps MIL-DTL-38999 series 2 (bayonet) |
| Series 32 & 33 |  |  | Protective Caps MIL-DTL-38999 series 3 (thread) |
| Series 42 & 43 |  |  | Protective Caps MIL-DTL-38999 series 4 |
| Series 52 & 53 |  |  | Protective Caps MIL-DTL-26482 series 1 & 2 |
| Series 62 & 63 |  |  | Protective Caps MIL-DTL-5015 (thread, crimp, MS34) |
| Series 72 & 73 |  |  | Protective Caps MIL-DTL-5015, VG95234 (bayonet) |
| Series ALDSR-01 |  | | Dummy Receptacles MIL-DTL-5015, VG95234 (bayonet) |
| Series ALDSR-03 |  | | Dummy Stowage Receptacles MIL-DTL-38999 series 3 (thread) |



Material & Finish Code

| Code | Material & Finish | Process | Salt Spray Hours |
|-----------|--------------------------------------|------------------------------------|------------------|
| A | aluminum/black anodized | conductive up -65 to +175°C | 336 |
| AH | aluminum/hard anodized | non-conductive up -65 to +200°C | 336 |
| N | aluminum/electroless nickel | conductive up -65 to +200°C | 96 |
| W | aluminum/olive drab cadmium | conductive up -65 to +175°C | 500 |
| WS | aluminum/olive drab cadmium | conductive up -65 to +175°C | 1000 |
| Z | aluminum/black zinc nickel | conductive up -65 to +175°C | 500 |
| VB | aluminum/black zinc cobalt | conductive up -65 to +175°C | 350 |
| VO | aluminum/olive drab zinc cobalt | conductive up -65 to +175°C | 350 |
| NU | nickel aluminium bronze/unplated | conductive up -65 to +200°C | 1000 |
| NS | nickel aluminium bronze/shot blasted | conductive up -65 to +200°C | 1000 |
| S | stainless steel/passivation | conductive up -65 to +200°C | 1000 |
| Y | aluminum/gold yellow cadmium | conductive up -65 to +175°C | 1000 |
| WC | aluminum/clear cadmium | conductive up -65 to +175°C | 1000 |
| L | stainless steel/electroless nickel | conductive up -65 to +200°C | 500 |

Lanyard & Attachment Option

| | |
|--|--|
| <p>Stainless Steel Sash Chain</p>  <p>code – SC</p> | <p>Stainless Steel Rope/Teflon Jacket</p>  <p>code – T</p> |
| <p>Stainless Steel Rope/Nylon Jacket</p>  <p>code – Y</p> | <p>Nylon Rope</p>  <p>code – NB</p> |
| <p>Protective Cap no Accessories</p>  <p>NONE</p> | <p>Straight Ring, Bend Ring</p>  <p>DASH NO</p> |
| <p>Tie Wrap</p>  <p>code – TW</p> | <p>Eyelet</p>  <p>DASH NO</p> |
| <p>no Eyelet/no Ring</p>  <p>code – 00</p> | <p>Crimp Ferrule</p>  <p>code – CF</p> |



Solid Ring & Eyelet Option

| Straight Ring | | Bend Ring | | Eyelet | |
|---------------|-----------|-----------|-----------|---------|-----------|
| DASH NO | Ø A ±0.40 | DASH NO | Ø A ±0.40 | DASH NO | Ø B ±0.25 |
| 150 | 15.00 | 150B | 15.00 | 01 | 3.60 |
| 184 | 18.40 | 184B | 18.40 | 02 | 4.60 |
| 232 | 23.20 | 232B | 23.20 | 03 | 4.90 |
| 265 | 26.50 | 265B | 26.50 | 04 | 5.00 |
| 303 | 30.30 | 303B | 30.30 | 05 | 4.20 |
| 326 | 32.60 | 326B | 32.60 | 06 | 3.20 |
| 365 | 36.50 | 365B | 36.50 | 07 | 5.50 |
| 393 | 39.30 | 393B | 39.30 | 08 | 4.00 |
| 429 | 42.90 | 429B | 42.90 | 00 | no eyelet |
| 450 | 45.00 | 450B | 45.00 | | |

Cross Reference List

Protective Caps

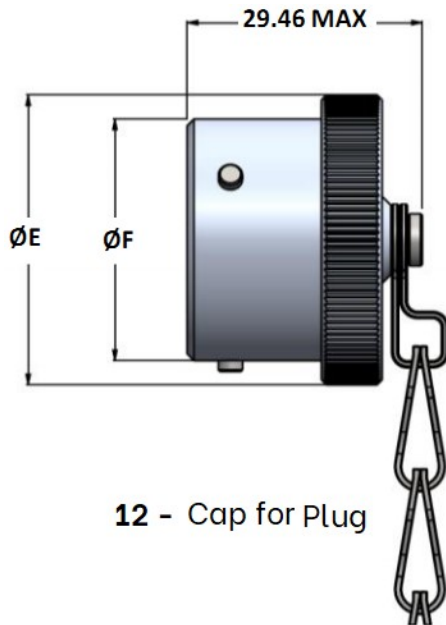
| Series | MIL STYLE | TE/POLAMCO | GLENAIR |
|-----------|------------------------|------------|---------|
| Series 12 | MS27501 | PPC27501 | 660-012 |
| Series 13 | MS27502 | PRC27502 | 660-013 |
| Series 22 | MS27510 | PPC27510 | 660-014 |
| Series 23 | MS27511 | PRC27511 | 660-015 |
| Series 32 | D38999/32 | 100P237 | 660-023 |
| Series 33 | D38999/33 | 100P160 | 660-024 |
| Series 42 | D38999/51 | 100P609 | 660-031 |
| Series 43 | D38999/52 | 100P608 | 660-032 |
| Series 52 | MS3180 | PPC3180 | 660-008 |
| Series 53 | MS3181 | PRC3181 | 660-009 |
| Series 62 | AS25042 | 100P1167 | 660-004 |
| Series 63 | AS25043 | 100P1240 | 660-005 |
| Series 72 | VG95234KB VG95234KC | – | – |
| Series 73 | VG95234KR VG95234KA | – | – |

Dummy Stowage Receptacles

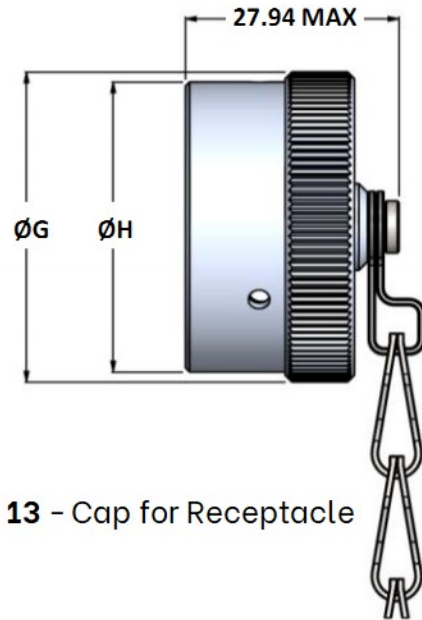
| Series | MIL STYLE | TE/POLAMCO | GLENAIR |
|----------|------------|------------|------------|
| ALDSR-01 | VG95234B0D | PC95234DR | VG95234B0D |
| ALDSR-03 | D38999/22 | 100P939 | D38999/22 |

Series 12 & 13

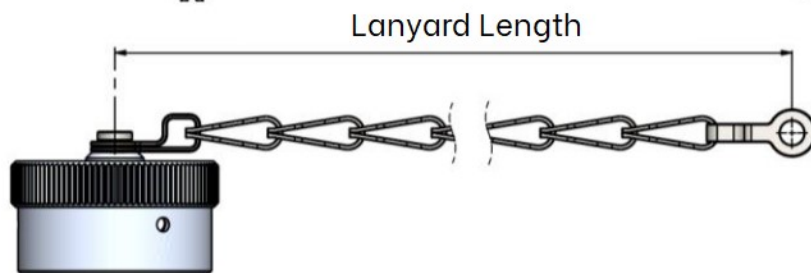
Protective Caps. MIL-DTL-38999 series 1. MS27501 & MS27502



12 - Cap for Plug



13 - Cap for Receptacle



Ordering information

| Basic Series | AL | 12 | -19 | W | -SC | 5 | -05 |
|----------------------------|----|----|-----|---|-----|---|-----|
| Shell type: | | | | | | | |
| 12 – Cap for plug | | | | | | | |
| 13 – Cap for receptacle | | | | | | | |
| Shell Size | | | | | | | |
| Material & Finish Code | | | | | | | |
| Lanyard Options | | | | | | | |
| Omit – for none | | | | | | | |
| Lanyard Length (in inches) | | | | | | | |
| Omit – for none | | | | | | | |
| Attachment Options: | | | | | | | |
| Eyelet Option | | | | | | | |
| Straight Ring Option | | | | | | | |
| Omit – for none | | | | | | | |

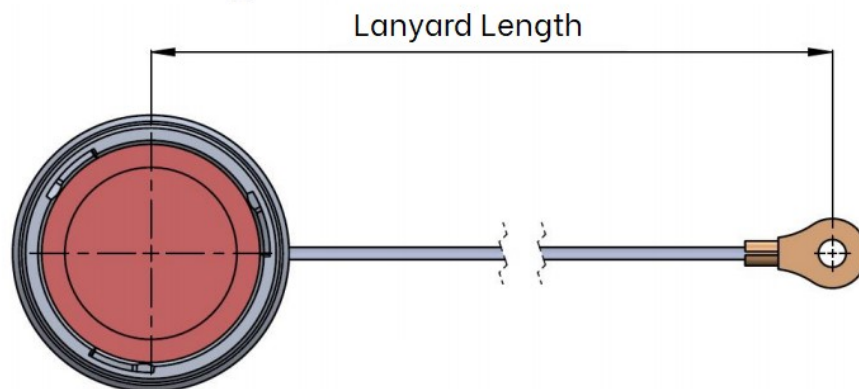
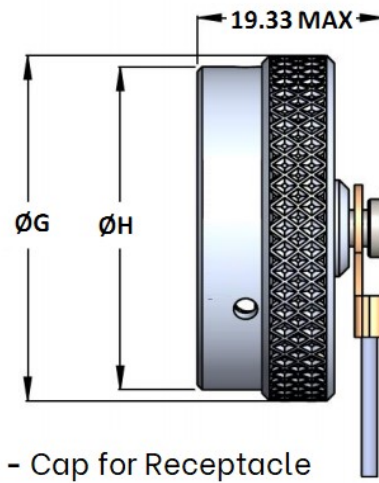
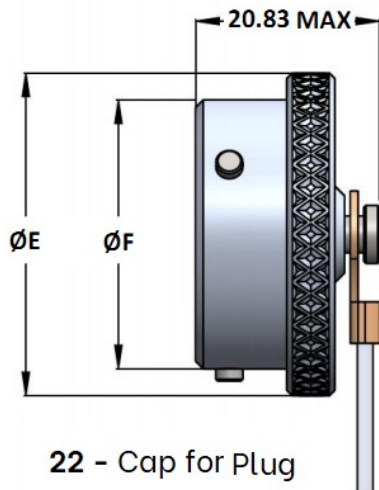


Dimensions

| Shell Size | Ø E MAX | Ø F MAX | Ø G MAX | Ø H MAX | Standard Lanyard Length |
|------------|---------|---------|---------|---------|-------------------------|
| 9 | 20.80 | 14.53 | 21.80 | 20.80 | 76.20 |
| 11 | 23.90 | 17.78 | 24.90 | 23.90 | 76.20 |
| 13 | 27.20 | 21.59 | 29.50 | 27.90 | 88.90 |
| 15 | 30.20 | 24.76 | 32.50 | 31.00 | 88.90 |
| 17 | 33.50 | 27.94 | 35.80 | 34.00 | 88.90 |
| 19 | 36.60 | 30.66 | 38.60 | 37.10 | 88.90 |
| 21 | 39.90 | 33.83 | 41.90 | 40.10 | 101.60 |
| 23 | 42.90 | 37.01 | 45.00 | 43.20 | 101.60 |
| 25 | 46.20 | 40.18 | 48.00 | 46.50 | 101.60 |

Series 22 & 23

Protective Caps. MIL-DTL-38999 series 2. MS27510 & MS27511



Ordering information

| Basic Series | AL | 22 | -18 | W | -SC | 5 | -05 |
|----------------------------|----|----|-----|---|-----|---|-----|
| Shell type: | | | | | | | |
| 22 – Cap for plug | | | | | | | |
| 23 – Cap for receptacle | | | | | | | |
| Shell Size | | | | | | | |
| Material & Finish Code | | | | | | | |
| Lanyard Options | | | | | | | |
| Omit – for none | | | | | | | |
| Lanyard Length (in inches) | | | | | | | |
| Omit – for none | | | | | | | |
| Attachment Options: | | | | | | | |
| Eyelet Option | | | | | | | |
| Straight Ring Option | | | | | | | |
| Omit – for none | | | | | | | |

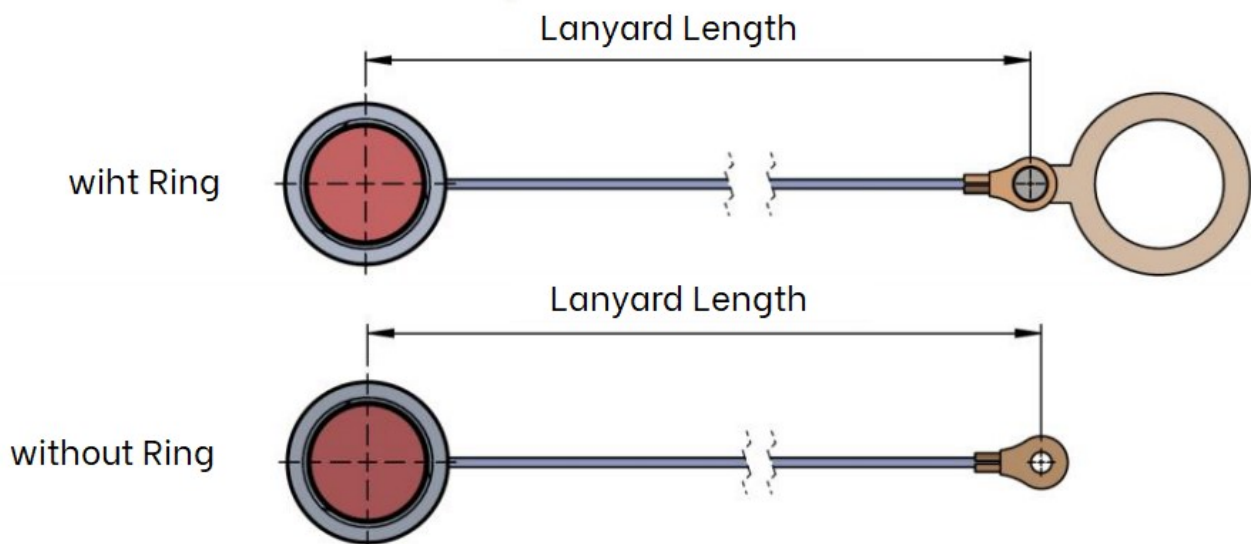
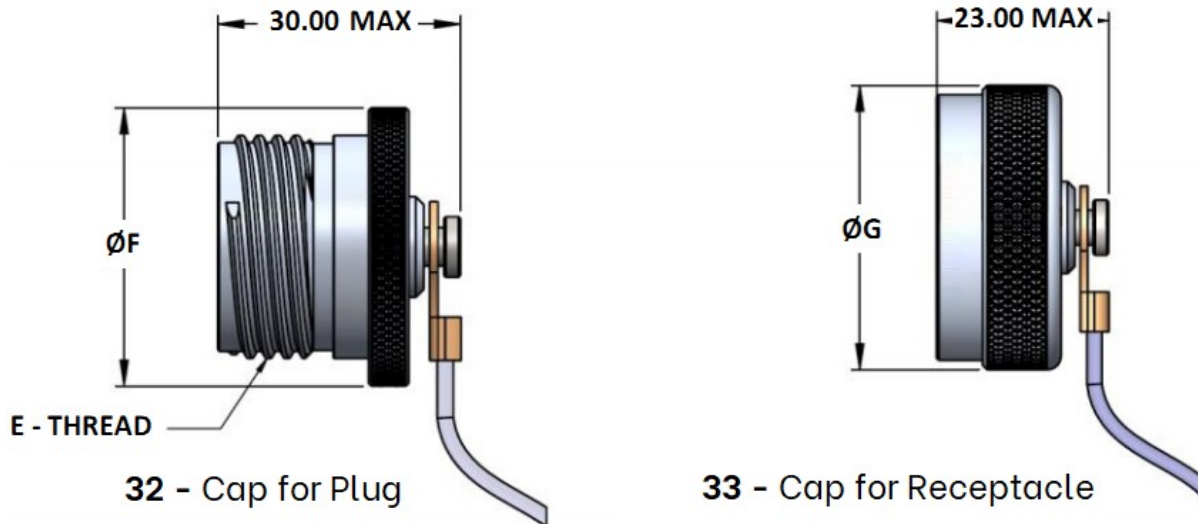


Dimensions

| Shell Size | Ø E MAX | Ø F MAX | Ø G MAX | Ø H MAX | Standard Lanyard Length |
|------------|---------|---------|---------|---------|-------------------------|
| 8 | 18.30 | 12.00 | 19.05 | 16.00 | 76.20 |
| 10 | 21.60 | 15.00 | 21.82 | 19.33 | 76.20 |
| 12 | 25.40 | 19.10 | 26.19 | 23.77 | 88.90 |
| 14 | 28.70 | 22.20 | 29.36 | 27.28 | 88.90 |
| 16 | 31.80 | 25.40 | 32.54 | 29.77 | 88.90 |
| 18 | 35.10 | 28.60 | 35.71 | 33.12 | 88.90 |
| 20 | 38.10 | 31.80 | 38.89 | 36.45 | 101.60 |
| 22 | 41.40 | 34.90 | 41.68 | 39.62 | 101.60 |
| 24 | 44.50 | 38.10 | 44.86 | 42.88 | 101.60 |

Series 32 & 33

Protective Caps. MIL-DTL-38999 series 3. D38999/32 & D38999/33



Ordering information

| | | | | | | | |
|----------------------------|-----------|-----------|------------|----------|------------|----------|---------------|
| Basic Series | AL | 32 | -19 | W | -TW | 5 | -1184B |
| Shell type: | | | | | | | |
| 32 – Cap for plug | | | | | | | |
| 33 – Cap for receptacle | | | | | | | |
| Shell Size | | | | | | | |
| Material & Finish Code | | | | | | | |
| Lanyard Options | | | | | | | |
| Omit – for none | | | | | | | |
| Lanyard Length (in inches) | | | | | | | |
| Omit – for none | | | | | | | |
| Attachment Options: | | | | | | | |
| Eyelet Option | | | | | | | |
| Straight Ring Option | | | | | | | |
| Omit – for none | | | | | | | |

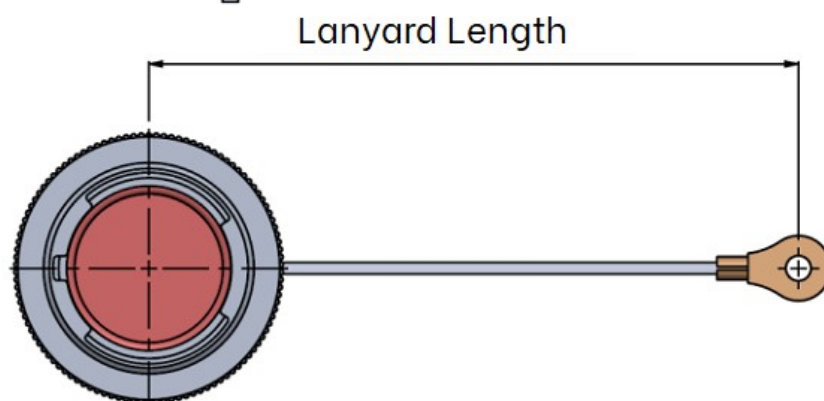
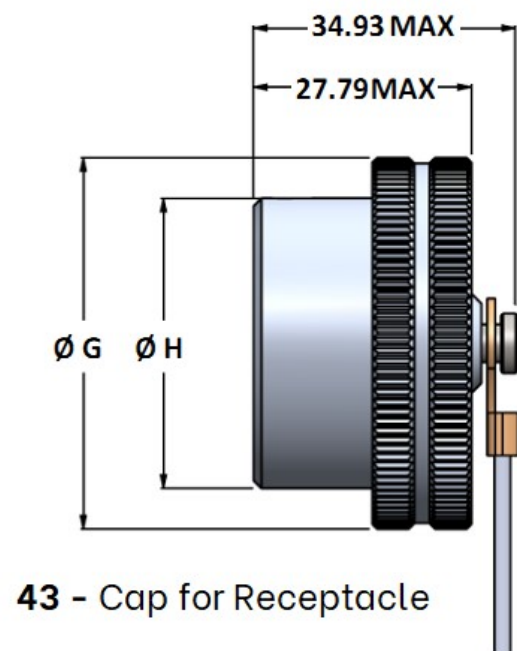
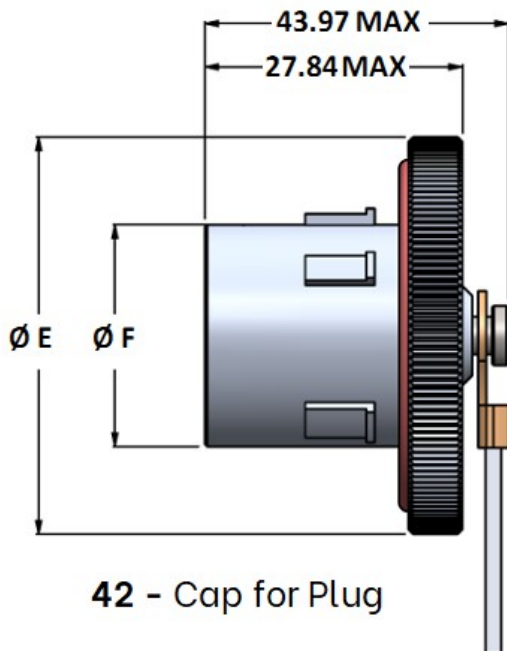


Dimensions

| Shell Size | E Thread | Ø F MAX | Ø G MAX | Standard Lanyard Length |
|------------|---------------------|---------|---------|-------------------------|
| 9 | 0.6250-0.1P-0.3L-TS | 23.00 | 23.00 | 127.00 |
| 11 | 0.7500-0.1P-0.3L-TS | 26.00 | 28.00 | 127.00 |
| 13 | 0.8750-0.1P-0.3L-TS | 31.00 | 31.00 | 127.00 |
| 15 | 1.0000-0.1P-0.3L-TS | 33.00 | 32.00 | 127.00 |
| 17 | 1.1875-0.1P-0.3L-TS | 37.00 | 37.00 | 127.00 |
| 19 | 1.2500-0.1P-0.3L-TS | 40.00 | 39.00 | 127.00 |
| 21 | 1.3750-0.1P-0.3L-TS | 44.00 | 42.00 | 127.00 |
| 23 | 1.5000-0.1P-0.3L-TS | 46.00 | 45.00 | 127.00 |
| 25 | 1.6250-0.1P-0.3L-TS | 50.00 | 49.00 | 127.00 |

Series 42 & 43

Protective Caps. MIL-DTL-38999 series 3. D38999/51 & D38999/52



Ordering information

| | | | | | | | |
|----------------------------|----|----|-----|---|----|---|------|
| Basic Series | AL | 42 | -11 | W | -Y | 5 | -265 |
| Shell type: | | | | | | | |
| 42 – Cap for plug | | | | | | | |
| 43 – Cap for receptacle | | | | | | | |
| Shell Size | | | | | | | |
| Material & Finish Code | | | | | | | |
| Lanyard Options | | | | | | | |
| Omit – for none | | | | | | | |
| Lanyard Length (in inches) | | | | | | | |
| Omit – for none | | | | | | | |
| Attachment Options: | | | | | | | |
| Eyelet Option | | | | | | | |
| Straight Ring Option | | | | | | | |
| Omit – for none | | | | | | | |

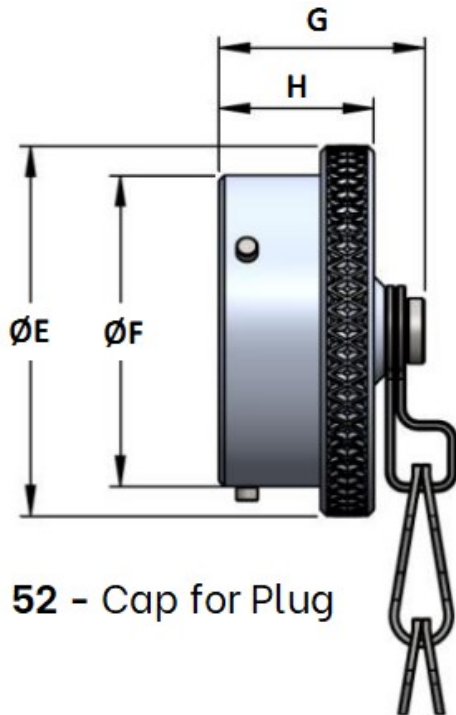


Dimensions

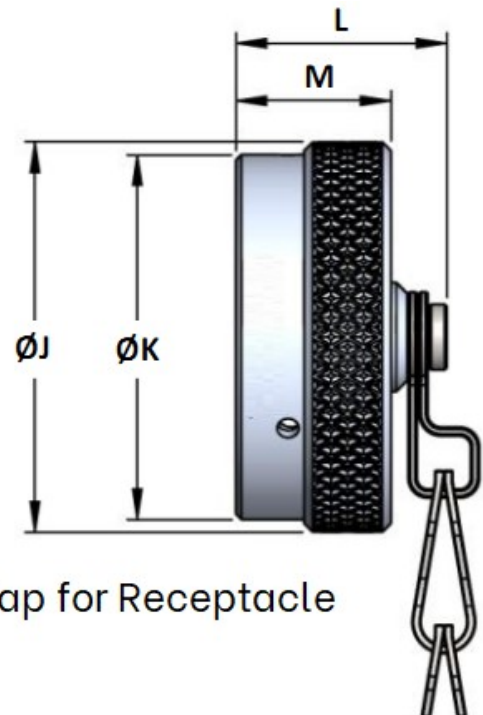
| Shell Size | Ø E MAX | Ø F MAX | Ø G MAX | Standard Lanyard Length |
|------------|---------|---------|---------|-------------------------|
| 11 | 35,05 | 12,92 | 26,59 | 19,18 |
| 13 | 39,88 | 16,10 | 30,99 | 22,86 |
| 15 | 42,17 | 19,28 | 34,19 | 26,42 |
| 17 | 49,47 | 22,48 | 37,39 | 29,21 |
| 19 | 48,77 | 25,63 | 40,21 | 32,39 |
| 21 | 52,33 | 28,80 | 43,31 | 35,56 |
| 23 | 57,15 | 31,98 | 46,50 | 38,74 |
| 25 | 60,45 | 35,15 | 49,71 | 41,91 |

Series 52 & 53

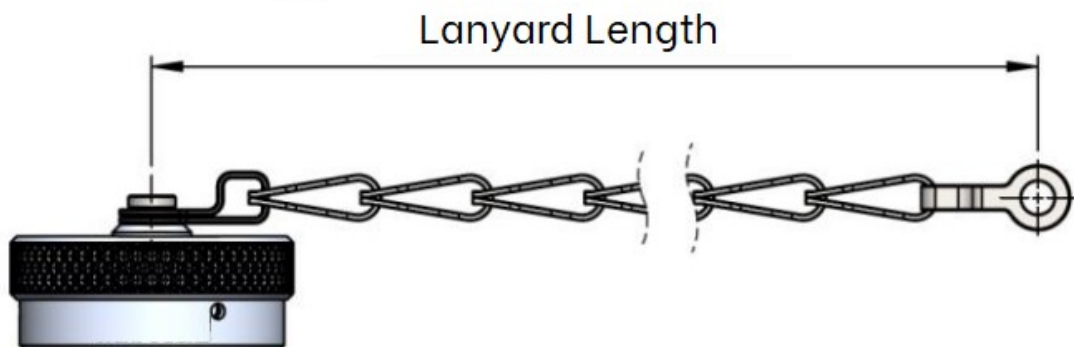
Protective Caps. MIL-DTL-26482 series 1 & 2. MS3181 & MS3180



52 - Cap for Plug



53 - Cap for Receptacle



Ordering information

| Basic Series | AL | 52 | -18 | W | -Y | 5 | -429 |
|----------------------------|----|----|-----|---|----|---|------|
| Shell type: | | | | | | | |
| 52 – Cap for plug | | | | | | | |
| 53 – Cap for receptacle | | | | | | | |
| Shell Size | | | | | | | |
| Material & Finish Code | | | | | | | |
| Lanyard Options | | | | | | | |
| Omit – for none | | | | | | | |
| Lanyard Length (in inches) | | | | | | | |
| Omit – for none | | | | | | | |
| Attachment Options: | | | | | | | |
| Eyelet Option | | | | | | | |
| Straight Ring Option | | | | | | | |
| Omit – for none | | | | | | | |

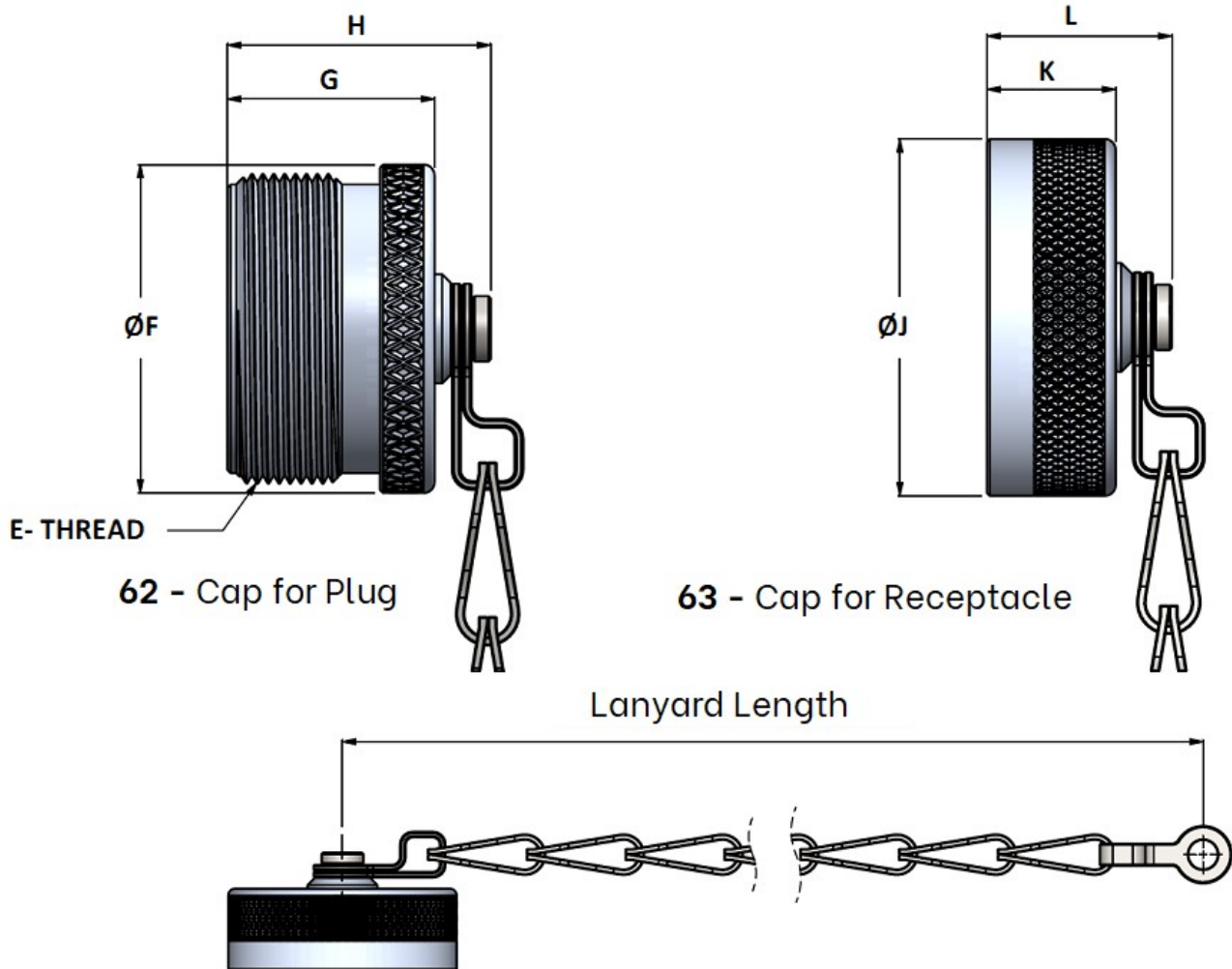


Dimensions

| Shell Size | Ø E MAX | Ø F MAX | Ø G MAX | Ø H MAX | Ø J MAX | Ø K MAX | L MAX | M MAX | Standard Lanyard Length |
|------------|---------|---------|---------|---------|---------|---------|-------|-------|-------------------------|
| 8 | 18.26 | 12.01 | 19.84 | 14.27 | 18.64 | 16.14 | 21.44 | 14.27 | 76.20 |
| 10 | 21.44 | 14.99 | 19.84 | 14.27 | 21.82 | 19.32 | 21.44 | 14.27 | 76.20 |
| 12 | 25.40 | 19.05 | 19.84 | 14.27 | 25.40 | 22.90 | 21.44 | 14.27 | 88.90 |
| 14 | 28.58 | 22.22 | 19.84 | 14.27 | 28.58 | 26.08 | 21.44 | 14.27 | 88.90 |
| 16 | 31.75 | 25.40 | 19.84 | 14.27 | 31.75 | 29.25 | 21.44 | 14.27 | 88.90 |
| 18 | 34.92 | 28.58 | 19.84 | 14.27 | 34.92 | 32.42 | 21.44 | 14.27 | 88.90 |
| 20 | 38.10 | 31.75 | 21.44 | 15.88 | 38.10 | 35.60 | 21.44 | 14.27 | 101.60 |
| 22 | 41.28 | 34.92 | 21.44 | 15.88 | 41.28 | 38.78 | 21.44 | 14.27 | 101.60 |
| 24 | 44.45 | 38.10 | 22.22 | 16.71 | 44.45 | 41.95 | 22.22 | 15.29 | 101.60 |

Series 62 & 63

Protective Caps. MIL-DTL-5015 (thread, crimp, MS34)
MS25042 & MS25043



Ordering information

| Basic Series | AL | 62 | -18 | W | -SC | 5 | -08 |
|----------------------------|----|----|-----|---|-----|---|-----|
| Shell type: | | | | | | | |
| 62 – Cap for plug | | | | | | | |
| 63 – Cap for receptacle | | | | | | | |
| Shell Size | | | | | | | |
| Material & Finish Code | | | | | | | |
| Lanyard Options | | | | | | | |
| Omit – for none | | | | | | | |
| Lanyard Length (in inches) | | | | | | | |
| Omit – for none | | | | | | | |
| Attachment Options: | | | | | | | |
| Eyelet Option | | | | | | | |
| Straight Ring Option | | | | | | | |
| Omit – for none | | | | | | | |



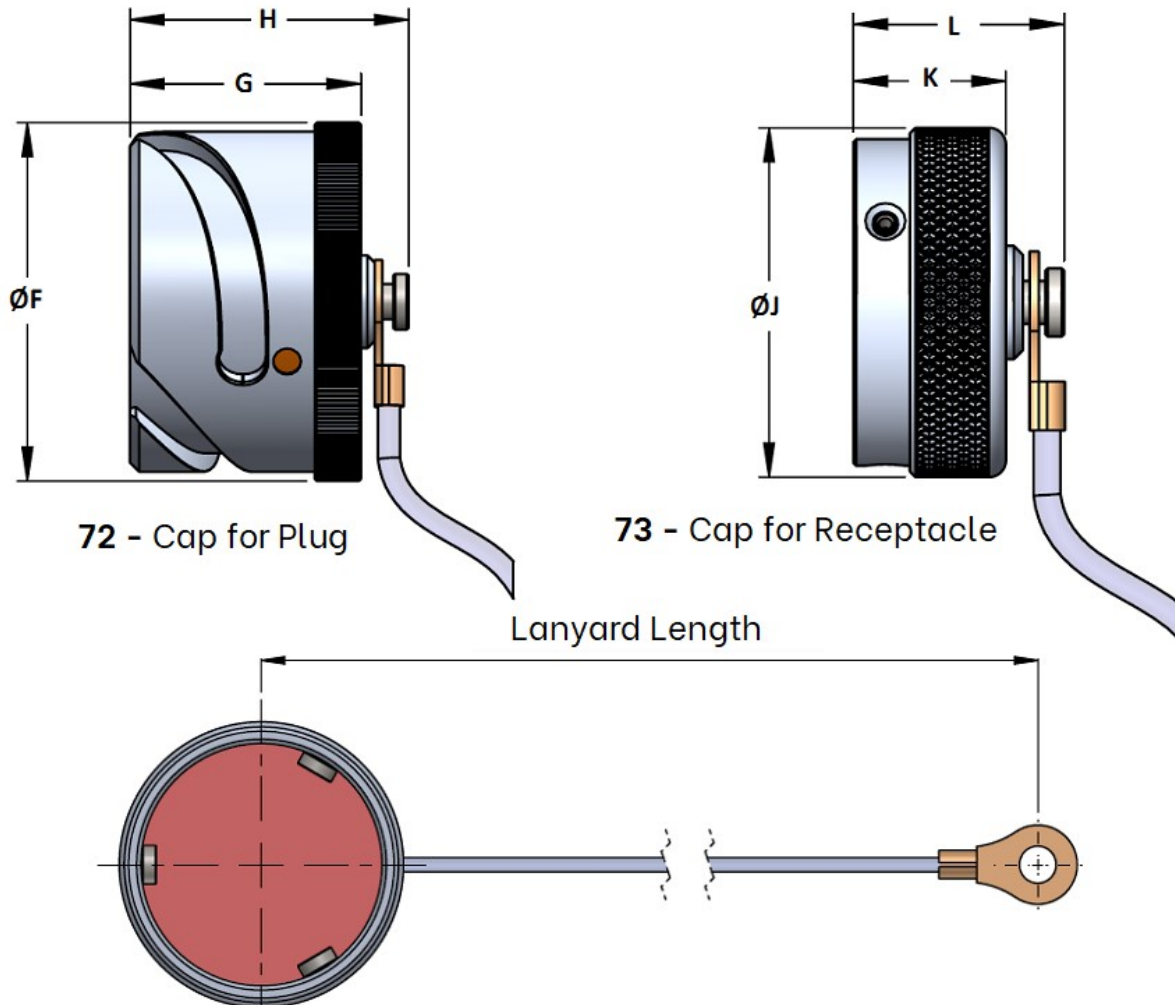
Dimensions

| Shell Size | E Thread | Ø F MAX | G MAX | H MAX | Ø J MAX | K MAX | L MAX | Standard Lanyard Length |
|------------|-----------------|---------|-------|-------|---------|-------|-------|-------------------------|
| 8 | 1/2 - 28 UNEF | 14.30 | 16.70 | 24.61 | 17.50 | 11.80 | 19.05 | 101.60 |
| 10 | 5/8 - 24 UNEF | 17.40 | 16.70 | 24.61 | 20.70 | 11.80 | 19.05 | 101.60 |
| 12 | 3/4 - 20 UNEF | 20.60 | 21.40 | 29.36 | 25.40 | 11.80 | 19.05 | 114.30 |
| 14 | 7/8 - 20 UNEF | 23.80 | 21.40 | 29.36 | 28.60 | 11.80 | 19.05 | 114.30 |
| 16 | 1 - 20 UNEF | 27.00 | 21.40 | 29.36 | 30.20 | 11.80 | 19.05 | 114.30 |
| 18 | 1 1/8 - 18 UNEF | 30.10 | 21.40 | 29.36 | 34.10 | 11.80 | 19.05 | 114.30 |
| 20 | 1 1/4 - 18 UNEF | 33.30 | 21.40 | 29.36 | 37.30 | 11.80 | 19.05 | 127.00 |
| 22 | 1 3/8 - 18 UNEF | 36.50 | 21.40 | 29.36 | 40.50 | 11.80 | 19.05 | 127.00 |
| 24 | 1 1/2 - 18 UNEF | 39.70 | 21.40 | 29.36 | 43.70 | 11.80 | 19.05 | 139.70 |
| 28 | 1 3/4 - 18 UNS | 46.00 | 21.40 | 29.36 | 50.00 | 13.50 | 20.62 | 196.85 |
| 32 | 2 - 18 UNS | 52.40 | 21.40 | 29.36 | 56.40 | 13.50 | 20.62 | 196.85 |
| 36 | 2 1/4 - 16 UN | 58.70 | 21.40 | 29.36 | 62.70 | 13.50 | 20.62 | 196.85 |
| 40 | 2 1/2 - 16 UN | 65.10 | 21.40 | 29.36 | 69.10 | 13.50 | 20.62 | 196.85 |
| 44 | 2 3/4 - 16 UN | 71.40 | 21.40 | 29.36 | 75.40 | 13.50 | 20.62 | 196.85 |
| 48 | 3 - 16 UN | 77.80 | 21.40 | 29.36 | 81.00 | 13.50 | 20.62 | 196.85 |

Series 72 & 73

Protective Caps. MIL-DTL-5015 & VG95234 (bayonet)

VG95234KB, VG95234KC, VG95234KR & VG95234KA



Ordering information

| Basic Series | AL | 72 | -18 | W | -SC | 5 | -08 |
|----------------------------|----|----|-----|---|-----|---|-----|
| Shell type: | | | | | | | |
| 72 – Cap for plug | | | | | | | |
| 73 – Cap for receptacle | | | | | | | |
| Shell Size | | | | | | | |
| Material & Finish Code | | | | | | | |
| Lanyard Options | | | | | | | |
| Omit – for none | | | | | | | |
| Lanyard Length (in inches) | | | | | | | |
| Omit – for none | | | | | | | |
| Attachment Options: | | | | | | | |
| Eyelet Option | | | | | | | |
| Straight Ring Option | | | | | | | |
| Omit – for none | | | | | | | |

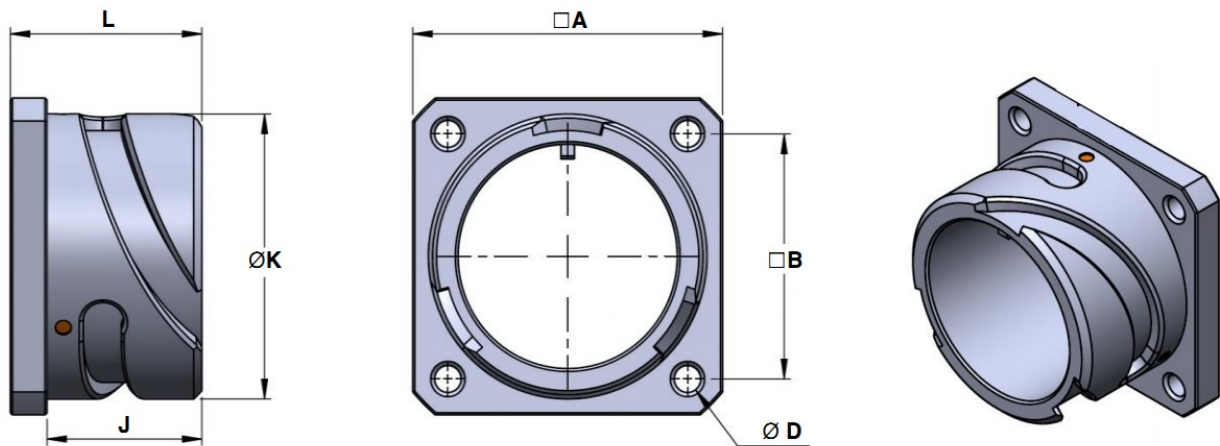


Dimensions

| Shell Size | E MAX | F MAX | G MAX | H MAX | J MAX | K MAX | L MAX | Standard Lanyard Length |
|-------------|-------|-------|-------|-------|-------|-------|--------|-------------------------|
| 10SL | 20.50 | 29.00 | 24.00 | 23.00 | 16.50 | 21.50 | 101.60 | 20.50 |
| 14S | 27.00 | 29.00 | 24.00 | 30.00 | 16.50 | 21.50 | 114.30 | 27.00 |
| 16S | 29.50 | 29.00 | 24.00 | 32.50 | 16.50 | 21.50 | 114.30 | 29.50 |
| 16 | 29.50 | 37.20 | 32.50 | 32.50 | 21.00 | 26.00 | 120.65 | 29.50 |
| 18 | 33.00 | 37.20 | 32.50 | 37.00 | 21.00 | 26.00 | 120.65 | 33.00 |
| 20 | 36.50 | 37.20 | 32.50 | 40.50 | 21.00 | 26.00 | 139.70 | 36.50 |
| 22 | 39.50 | 37.20 | 32.50 | 43.50 | 21.00 | 26.00 | 139.70 | 39.50 |
| 24 | 43.00 | 37.20 | 32.50 | 47.00 | 21.00 | 26.00 | 139.70 | 43.00 |
| 28 | 49.00 | 37.20 | 32.50 | 54.00 | 21.00 | 26.00 | 190.50 | 49.00 |
| 32 | 55.50 | 38.40 | 33.70 | 60.50 | 21.00 | 26.00 | 190.50 | 55.50 |
| 36 | 62.00 | 38.40 | 33.70 | 67.00 | 21.00 | 26.00 | 190.50 | 62.00 |

Seeries ALDSR-01

Dummy Stowage Receptacles. MIL-DTL-5015, VG95234 (bayonet)
VG95234B0D



Ordering information

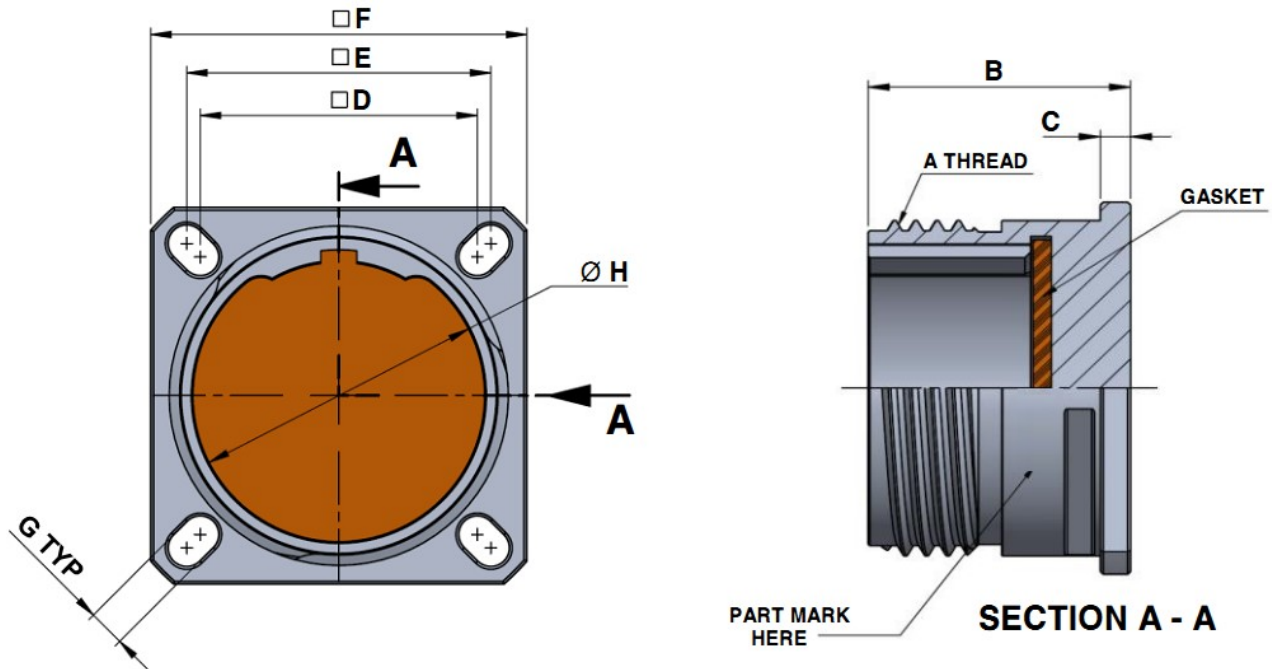
| | | | |
|------------------------|-----------------|------------|----------|
| Basic Series | ALDSR-01 | -18 | W |
| Shell Size | | | |
| Material & Finish Code | | | |

Dimensions

| Shell Size | A | B | D | J MAX | K | L MAX |
|------------|-------|-------|------|-------|-------|-------|
| 10SL | 25.40 | 18.20 | 3.20 | 14.20 | 18.20 | 17.50 |
| 12S | 28.00 | 20.60 | 3.20 | 14.20 | 21.40 | 18.00 |
| 14S | 30.00 | 23.00 | 3.20 | 14.20 | 24.60 | 18.00 |
| 16S | 32.50 | 24.60 | 3.20 | 14.20 | 27.40 | 18.00 |
| 16 | 32.50 | 24.60 | 3.20 | 19.00 | 27.40 | 23.50 |
| 18 | 35.00 | 27.00 | 3.20 | 19.00 | 30.80 | 23.50 |
| 20 | 38.00 | 29.40 | 3.20 | 19.00 | 34.20 | 23.50 |
| 22 | 41.00 | 31.80 | 3.20 | 19.00 | 37.40 | 23.50 |
| 24 | 44.50 | 34.90 | 3.70 | 20.60 | 40.90 | 25.50 |
| 28 | 50.80 | 39.70 | 3.70 | 20.60 | 46.70 | 25.50 |
| 32 | 57.00 | 44.50 | 4.30 | 22.20 | 53.40 | 27.00 |
| 36 | 63.50 | 49.20 | 4.30 | 22.20 | 59.60 | 27.00 |

Series ALDSR-03

Dummy Stowage Receptacles. MIL-DTL-38999 series 3. D38999/22



Ordering information

| | | | |
|------------------------|----------|-----|---|
| Basic Series | ALDSR-03 | -19 | W |
| Shell Size | | | |
| Material & Finish Code | | | |

Dimensions

| Shell Size | A Thread | B MAX | G MAX | D | E | F MAX | G ± 0.20 | Ø H |
|------------|---------------------|-------|-------|-------|-------|-------|----------|-------|
| 9 | 0.6250-0.1P-0.3L-TS | 21.40 | 2.80 | 15.10 | 18.30 | 24.10 | 3.30 | 12.50 |
| 11 | 0.7500-0.1P-0.3L-TS | 21.40 | 2.80 | 18.30 | 20.60 | 26.50 | 3.30 | 15.70 |
| 13 | 0.8750-0.1P-0.3L-TS | 21.40 | 2.80 | 20.60 | 23.00 | 28.90 | 3.30 | 19.50 |
| 15 | 1.0000-0.1P-0.3L-TS | 21.40 | 2.80 | 23.00 | 24.60 | 31.30 | 3.30 | 22.70 |
| 17 | 1.1875-0.1P-0.3L-TS | 21.40 | 2.80 | 24.60 | 27.00 | 33.60 | 3.30 | 25.90 |
| 19 | 1.2500-0.1P-0.3L-TS | 21.40 | 2.80 | 27.00 | 29.40 | 36.80 | 3.30 | 28.50 |
| 21 | 1.3750-0.1P-0.3L-TS | 20.60 | 3.50 | 29.40 | 31.80 | 40.00 | 3.30 | 31.70 |
| 23 | 1.5000-0.1P-0.3L-TS | 20.60 | 3.50 | 31.80 | 34.90 | 43.20 | 3.90 | 34.90 |
| 25 | 1.6250-0.1P-0.3L-TS | 20.60 | 3.50 | 34.90 | 38.10 | 46.30 | 3.90 | 38.10 |

CÔNG TY TNHH RỒNG VÀNG TECHNOLOGY

**Địa chỉ: 48/5 Vĩnh Xuân, Phường Vĩnh thái,
Thành Phố Nha Trang, Tỉnh Khánh Hòa**

SĐT: +84 79.219.2707

www.rong-vang-technology.vn

www.rong-vang-technology.vn