



RỒNG VÀNG  
TECHNOLOGY



# Optical Fiber Connectors RD38999 series III

[www.rong-vang-technology.vn](http://www.rong-vang-technology.vn)



## Description

Complies with MIL-DTL-38999III series interface

Different materials of outer shells and coatings allow to adapt to different environmental requirements

Five-key positioning with blind insertion and error-proof insertion functions

Three-head thread quick connection with anti-loosening mechanism

Precision docking with ceramic pins and casing

Various tail attachment forms are available

Adapter socket form (optional gas seal) emancipate from cable bondage using

## Technical features

Description	Values
Operating temperature	up -55°C to +85°C
Vibration	10Hz ~ 2000Hz, acceleration 147m/s <sup>2</sup>
Impact	980m/s <sup>2</sup>
Salt spray	Class K: 500h; Class F: 48h; Class W: 500h Class MW: 192h (Acid atmosphere)
Liquid resistance	resistance to a variety of fuel, coolant and other oil
Optical performance	Insertion loss: ≤0.6dB (≤ 4 core), ≤0.75dB (≥5 core)
Durability	500 cycles
Tensile strength	≥720N (multi-core cable)



## Ordering information

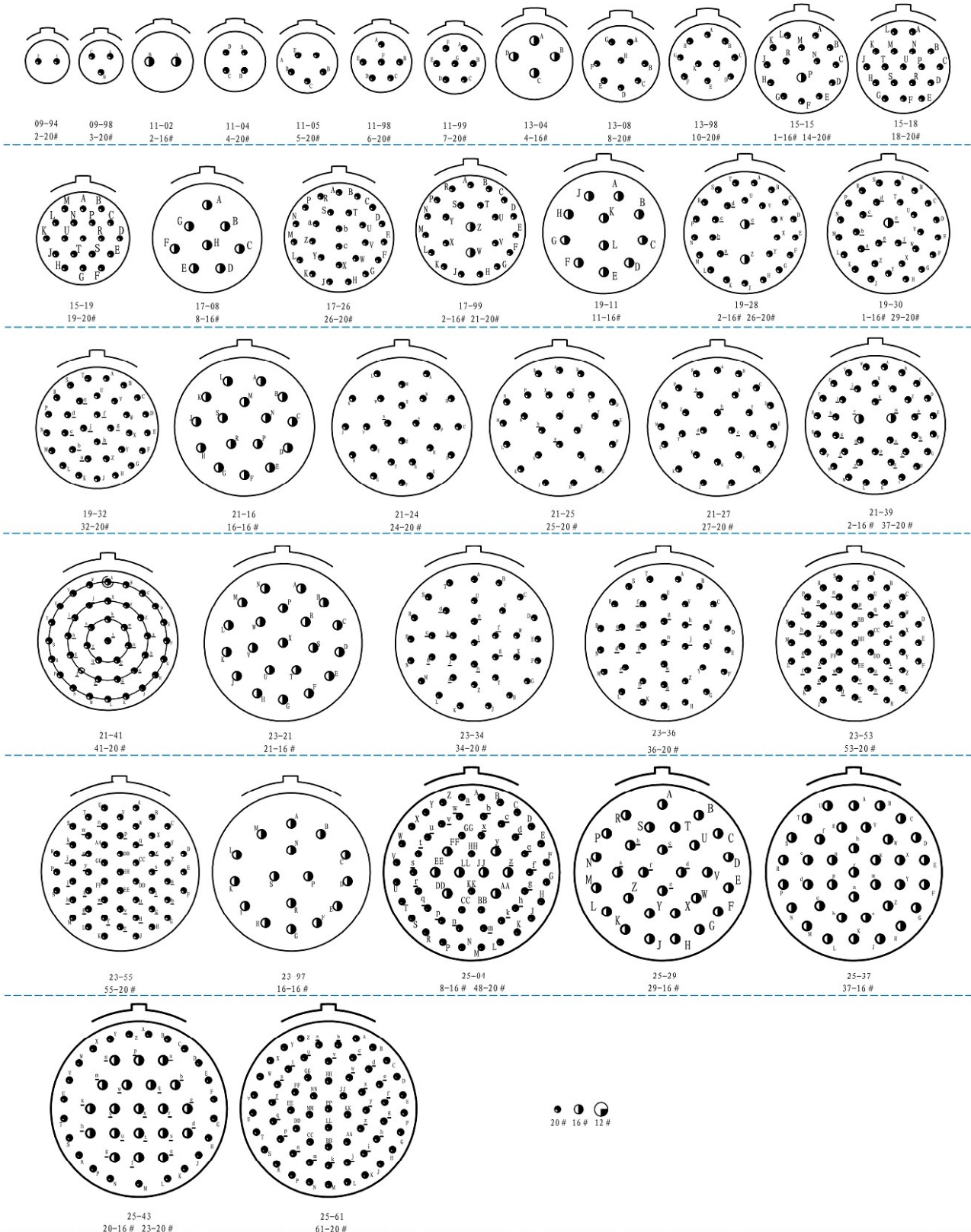
Basic series	RD38999/	26	W	C	04	B1	N	01	-M2
Connector Type:									
20: Square flange receptacle									
21: Box Mount Receptacle, Hermetic									
24: Jam nut receptacle									
26: Straight Plug									
Service Class:									
K: Stainless steel/Passivation									
F: Aluminum/Electroless nickel									
W: Aluminum/Cadmium									
MW: Aluminum/Cadmium plating (Marine environment)									
Shell size:									
A (09), B (11), C (13), D (15), E (17), F (19), G (21), H (23), J (25)									
Contact layout									
Insert type:									
A1: Male insert									
B1: Female insert									
Orientation: N, A, B, C, D, E									
Design code:									
01: The straight backshell is connected with a bellow tube and is suitable for single-core optical cable									
02: The elbow backshell is connected with a bellow tube and is suitable for single-core optical cable									
03: The bent tail attachment is connected with bellows and ADAPTS to single fiber cable									
41: Suitable for multi-core armored optical cable									
Omit: suitable for multi-core field optical cable									
Adapt to optical cable:									
1. When the design number is 01, 02, 03 it is suitable for Optical cable, indoor optical cable									
Optional:									
M2: single core multi-mode 62.5/125 optical cable									
S2: single core single mode 9/125 cable									
MI2: single core multi-mode 50/125 cable									
MIV2: single core multi-mode OM3 50/125 cable									
2. When the design number is 41, adaptive optical cab (outdoor optical cable)									
Optional:									
M: Multi-mode 62.5/125 multi-core armored cable									
S: Single mode G652 9/125 multi-core armored cable									
MI: Multi-mode 50/125 multi-core armored cable									
MIV: Multi-mode OM3 50/125 multi-core armored cable									
3. Multi-core armored cable									
M: Multi-mode 62.5/125 multi-core field optical cable									
S: Single mode 9/125 multi-core field cable									
MI: Multi-mode 50/125 multi-core field optical cable									
MIV: Multi-mode OM3 50/125 multi-core field fiber cable									
G—Empty shell, no optical contact									

Cable length provided according to customer requirements (unit: m)



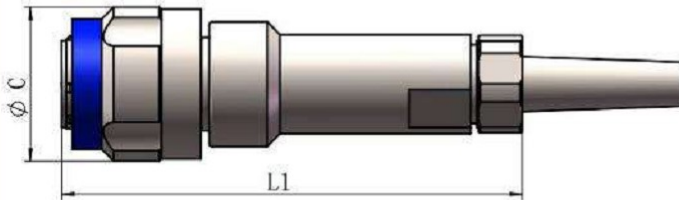
# Contact layouts

## Contact arrangement (pin insulator insertion surface view)

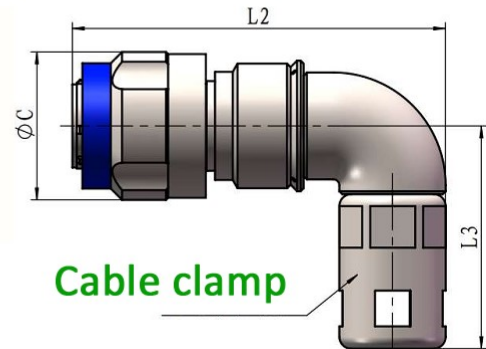


## Dimensions

### Plug with straight backshell



### Plug with elbow backshell



Shell size	A (9)	B (11)	C (13)	D (15)	E (17)	F (19)	H (23)	J (25)
<b>Dimensions</b>								
<b>C</b>	21.80	25.00	29.40	32.40	35.60	38.50	44.90	48.00
<b>L1</b>	80.90	74.70	74.20	91.60	109.60	–	160.00	–
<b>L2</b>	63.00	63.00	67.90	68.50	70.66	74.19	80.20	83.41
<b>L3</b>	45.60	44.50	53.40	55.40	63.30	57.00	73.00	80.00

**CÔNG TY TNHH RỒNG VÀNG TECHNOLOGY**

**Địa chỉ: 48/5 Vĩnh Xuân, Phường Vĩnh thái,  
Thành Phố Nha Trang, Tỉnh Khánh Hòa**

**SĐT: +84 79.219.2707**

**[www.rong-vang-technology.vn](http://www.rong-vang-technology.vn)**

**[www.rong-vang-technology.vn](http://www.rong-vang-technology.vn)**