



RỒNG VÀNG
TECHNOLOGY



Circular Connector Backshells and Accessories

www.rong-vang-technology.vn











Contents

Features	3
Backshells for MIL-DTL-38999 series 1 & 2, MIL-DTL-26482 series 1	10
Backshells for MIL-DTL-38999 series 3 & 4	31
Backshells for MIL-DTL-5015 (crimp, MS34), MIL-DTL-26482 series 2, MIL-DTL-83723 series 3	75
Termination Accessories	96
Protective Caps, Dummy Stowage Receptacles	101

Product Finder

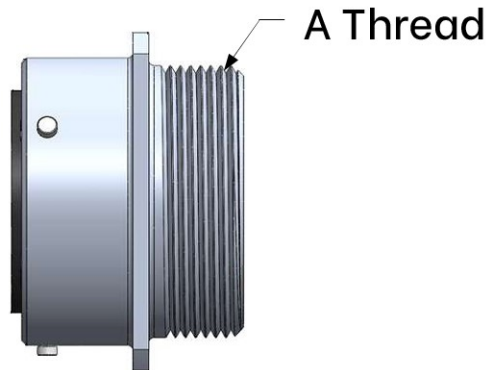
Series Code	Model	Description
Series BS		EMI/RFI banding and shrink Boot Adapters
Series MR		EMI/RFI memory ring shrink boot adapters
Series SA		shrink boot adapters
Series SS		EMI/RFI shield sock shrink boot adapters
Series SB		straight strain reliefs
Series AB		90° strain reliefs
Series LB		EMI/RFI lamp base thread shrink boot adapters
Series QT		Qwik-Ty strain reliefs
Series BN		back nuts
Series CR		crimp ring backshells

Product Finder

Series Code	Model	Description
Series CCB-01		Submersible backshells with strain relief, environmental, non screened
Series CCB-02		Submersible backshells with strain relief, non environmental, non screened
Series CCB-03		EMI/RFI Submersible backshells with strain relief, environmental
Series CCB-04		EMI/RFI Submersible backshells with strain relief, non environmental
Series CCB-06		EMI/RFI Submersible backshells with strain relief & cone clamp, non environmental
Series UPB-01		Ultra low profile 90° banding and shrink boot split adapters
Series BCB -01		EMI/RFI Band-in-a-can with strain-relief, environmental
Series BCB-02		EMI/RFI Band-in-a-can with strain-relief, non environmental

Connector Interface Data					
Code	POLAMCO	AMPHENOL	GLENAIR	RAYCHEM	Backshells Designed to be Used In Connector Series
A	A	J	A	54	MIL-DTL-5015 (crimp, MS34), MIL-DTL-26482 series II, MIL-DTL-83723 series III (bayonet & threaded)
F	F	K	F	41	MIL-DTL-38999 series I, II
T	D & DG	—	D	21	MIL-DTL-26482 series I
H	H	L	H	40	MIL-DTL-38999 series III, IV
B	L, LS, LM & LV	J	B	18	MIL-DTL-5015 (solder cup, MS31)

Coupling Interface



Shell Size MIL-DTL-38999 (series 3, 4)	A Thread	Shell Size MIL-DTL-38999 (series 1)	A Thread
09	M12 x 1-6g	09	.4375-28 UNEF
11	M15 x 1-6g	11	.5625-24 UNEF
13	M18 x 1-6g	13	.6875-24 UNEF
15	M22 x 1-6g	15	.8125-20 UNEF
17	M25 x 1-6g	17	.9375-20 UNEF
19	M28 x 1-6g	19	1.0625-18 UNEF
21	M31 x 1-6g	21	1.1875-18 UNEF
23	M34 x 1-6g	23	1.3125-18 UNEF
25	M37 x 1-6g	25	1.4375-18 UNEF
Shell Size MIL-DTL-38999 (series 2); MIL-DTL-26482 (series 1)	A Thread	Shell Size MIL-DTL-83723 (series 3); EN2997; MIL-DTL-26482 (series 2); MIL-DTL-5015 (series MS34)	A Thread
08	.4375-28 UNEF	08	.5000-20 UNF
10	.5625-24 UNEF	10	.6250-24 UNEF
12	.6875-24 UNEF	12	.7500-20 UNEF
14	.8125-20 UNEF	14	.8750-20 UNEF
16	.9375-20 UNEF	16	1.0000-20 UNEF
18	1.0625-18 UNEF	18	1.0625-18 UNEF
20	1.1875-18 UNEF	20	1.1875-18 UNEF
22	1.3125-18 UNEF	22	1.3125-18 UNEF
24	1.4375-18 UNEF	24	1.4375-18 UNEF

Coupling Interface & Cable Entry

H – Interface		
Shell Size	A – Thread	Cable Entry Max
09	M12 x 1.0	05
11	M15 x 1.0	07
13	M18 x 1.0	09
15	M22 x 1.0	11
17	M25 x 1.0	13
19	M28 x 1.0	14
21	M31 x 1.0	16
23	M34 x 1.0	18
25	M37 x 1.0	20

F, T – Interface		
Shell Size	A – Thread	Cable Entry Max
09/08	7/16 - 28 UNEF	04
11/10	9/16 - 24 UNEF	06
13/12	11/16 - 24 UNEF	08
15/14	13/16 - 20 UNEF	10
17/16	15/16 - 20 UNEF	12
19/18	1-1/16 - 18 UNEF	14
21/20	1-3/16 - 18 UNEF	16
23/22	1-5/16 - 18 UNEF	18
25/24	1-7/16 - 18 UNEF	20

A – Interface		
Shell Size	A – Thread	Cable Entry Max
08	1/2 - 20 UNEF	04
10	5/8 - 24 UNEF	06
12	3/4 - 20 UNEF	08
14	7/8 - 20 UNEF	09
16	1 - 20 UNEF	11
18	1-1/16 - 18 UNEF	12
20	1-3/16 - 18 UNEF	14
22	1-5/16 - 18 UNEF	16
24	1-7/16 - 18 UNEF	18

NOTE: Adapters with other shell sizes and cable entries are possible on request



Material & Finish Code

Code	Material & Finish	Process	Salt Spray Hours
A	aluminum/black anodized	conductive up -65 to +175°C	336
AH	aluminum/hard anodized	non-conductive up -65 to +200°C	336
N	aluminum/electroless nickel	conductive up -65 to +200°C	96
W	aluminum/olive drab cadmium	conductive up -65 to +175°C	500
WS	aluminum/olive drab cadmium	conductive up -65 to +175°C	1000
Z	aluminum/black zinc nickel	conductive up -65 to +175°C	500
VB	aluminum/black zinc cobalt	conductive up -65 to +175°C	350
VO	aluminum/olive drab zinc cobalt	conductive up -65 to +175°C	350
NU	nickel aluminium bronze/unplated	conductive up -65 to +200°C	1000
NS	nickel aluminium bronze/shot blasted	conductive up -65 to +200°C	1000
S	stainless steel/passivation	conductive up -65 to +200°C	1000
Y	aluminum/gold yellow cadmium	conductive up -65 to +175°C	1000
WC	aluminum/clear cadmium	conductive up -65 to +175°C	1000
L	stainless steel/electroless nickel	conductive up -65 to +200°C	500

Cross Reference List

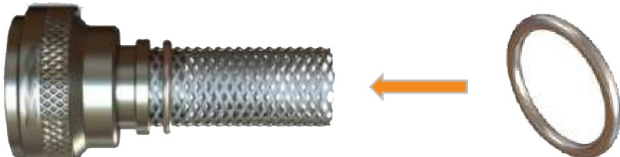
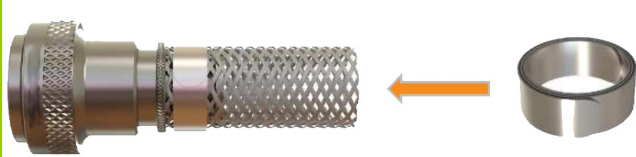
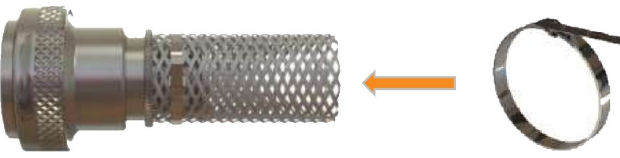
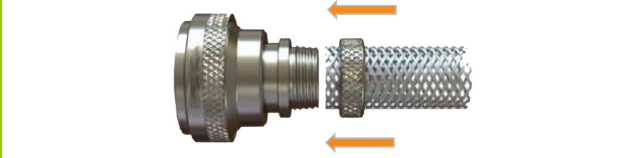
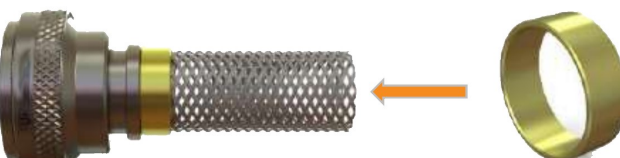
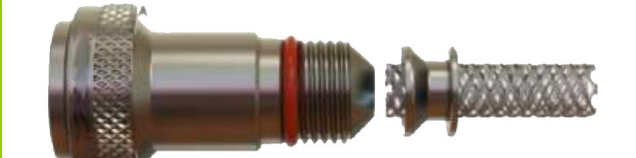
MIL-DTL-38999 series 3 & 4			
Series	MIL STYLE	GLENAIR	TE/POLAMCO
Series BS	M85049/88, M85049/89, M85049/90	440HS030	91H
Series MR	–	440HS084	60H
Series SA	M85049/69	310HS001	97H
Series SS	M85049/115, M85049/117	319HS001	70H
Series SB	M85049/38	620HS011	96H1
Series AB	M85049/39	620HA011	96H3
Series LB	–	311HS001	95H
Series QT	M85049/15, M85049/16	450HS001	86H
Series CR	M85049/20	–	–
Series BN	M85049/14	–	–
Series CCB-01	–	370HS001	37H
Series CCB-02	–	360HS001	37H (NE)
Series CCB-03	–	390HS011	39H
Series CCB-04	M85049/19	380HS005	39H (NE)
Series CCB-06	–	380HS105	–
Series UPB-01	–	440HC030	BTH3C
Series BCB-01	–	443HS009	88H
Series BCB-02	–	447HS425	88H (NE)

MIL-DTL-38999 series 1 & 2			
Series	MIL STYLE	GLENAIR	TE/POLAMCO
Series BS	M85049/85, M85049/86, M85049/87	440FS030	91F
Series MR	–	440FS084	60F
Series SA	M85049/62	310FS001	97F
Series SS	M85049/112, M85049/114	319FS001	70F
Series SB	M85049/49-2	620FS011	96F1
Series AB	M85049/47	620FA011	96F3
Series LB	–	311FS001	95F
Series CR	M85049/26-1	450FS001	86F

Cross Reference List

MIL-DTL-26482 series 2			
Series	MIL STYLE	GLENAIR	TE/POLAMCO
Series BS	M85049/82, M85049/83, M85049/84	440AS030	91A
Series MR	–	440AS084	60A
Series SA	M85049/60-1	310AS001	97A
Series SS	M85049/109, M85049/111	319AS001	70A
Series SB	M85049/52	620AS011	96A1
Series AB	M85049/51	620AA011	96A3
Series LB	–	311AS001	95A
Series CR	M85049/33-2	–	–

Braid Terminations

Memory Ring	Spring
	
memory ring shrunk by the application of heat using a tool	spring wrapped around braid (without tooling)
Band	Thread Lock
	
band clamped with calibrated tool	braid trapped in loose fitting male and female thread
Crimp Ring	Cone
	
product supplied with pre-terminated braid	braid clamped between cones

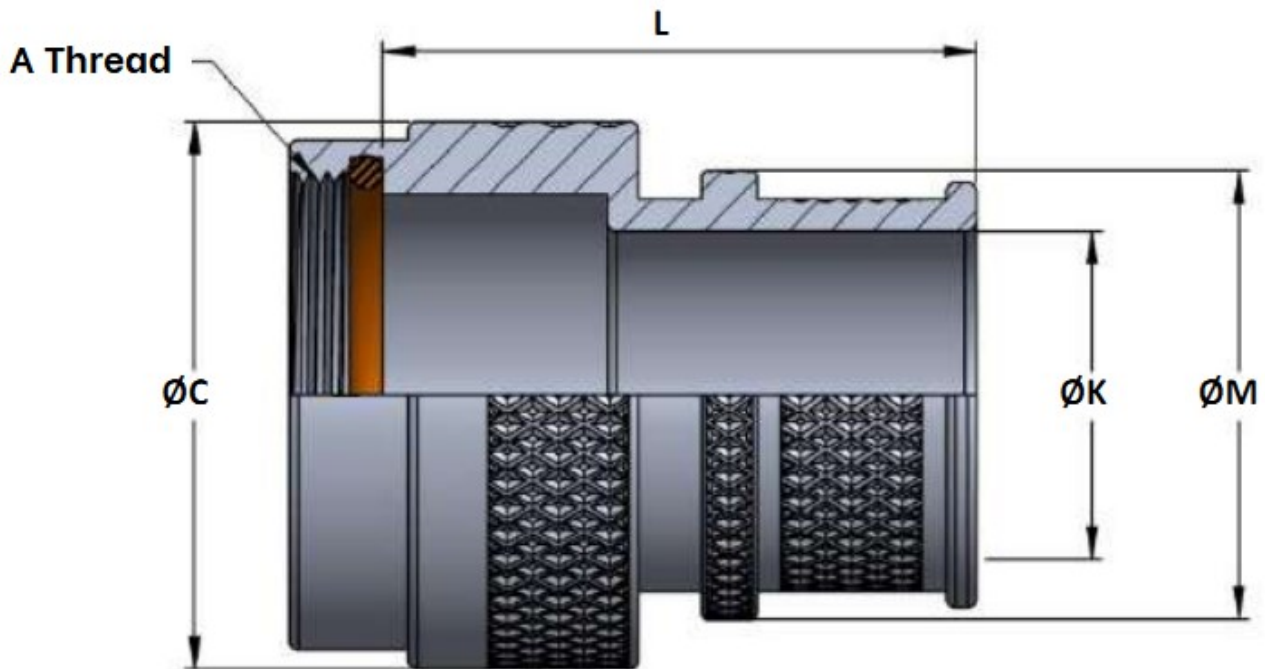


**MIL-DTL-38999 (series 1 & 2),
MIL-DTL-26482 (series 1)**



Series ALBS

EMI/RFI banding and shrink boot adapters, direct coupling



Ordering information

Basic Series	ALBS	-F	1	S	W	-18	07	-ST	-T
Connector Interface:									
F – MIL-DTL-38999 (series 1 & 2)									
T – MIL-DTL-26482 (series 1)									
Coupling Ring Option:									
1 – direct coupling									
Angle Code:									
S – straight									
Material & Finish Code									
Shell Size									
Cable Entry Code									
Length Code for Straight Parts:									
ST – for standard length (L) – 1.25"									
(1/2" increment, for example 8 = 4 inches)									
Banding Option:									
S – CF spring									
T – termination band									
Omit – for none									



Dimensions

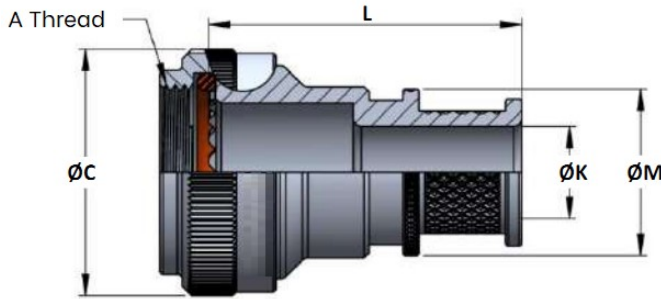
Shell Size		A Thread	Ø C MAX	Cable Entry Code
38999, series 1	38999, series 2 26482, series 1			
09	08	7/16 - 28 UNEF	18.80	02 - 04
11	10	9/16 - 24 UNEF	19.00	02 - 06
13	12	11/16 - 24 UNEF	22.16	02 - 08
15	14	13/16 - 20 UNEF	25.34	02 - 10
17	16	15/16 - 20 UNEF	29.31	02 - 12
19	18	1-1/16 - 18 UNEF	32.49	02 - 14
21	20	1-3/16 - 18 UNEF	36.46	02 - 16
23	22	1-5/16 - 18 UNEF	39.63	02 - 18
25	24	1-7/16 - 18 UNEF	41.48	02 - 20

Cable Entry Code	Ø K +0.20	Ø M MAX
02	3.20	10.41
03	4.70	11.91
04	6.30	13.51
05	7.90	15.11
06	9.50	16.71
07	11.10	18.31
08	12.70	19.91
09	14.20	21.41
10	15.80	23.01
11	17.40	24.61
12	19.00	26.21
13	20.60	27.81
14	22.20	29.41
15	23.80	31.01
16	25.40	32.61
17	27.00	34.21
18	28.60	35.81
19	30.20	37.41
20	31.80	39.01

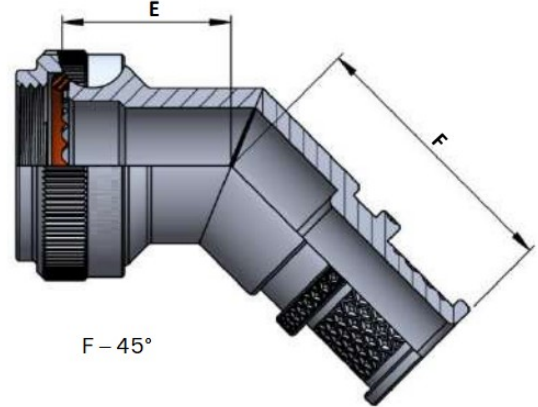


Series ALBS

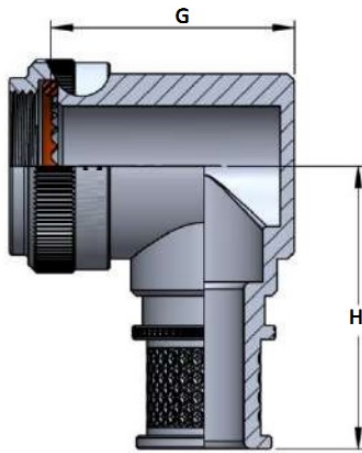
EMI/RFI banding and shrink boot adapters, spin coupling



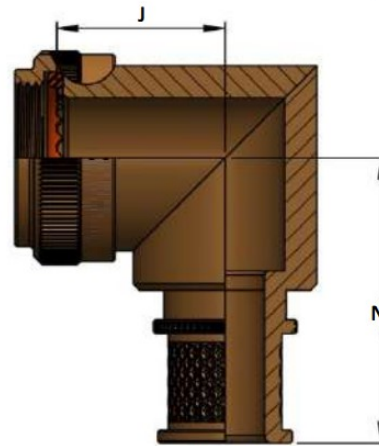
S – straight



F – 45°



N – 90°



N – 90°

stainless steel
nickel aluminium bronze

Ordering information

Basic Series	ALBS	-F	3	S	W	-18	07	-8	-T
Connector Interface:									
F – MIL-DTL-38999 (series 1 & 2)									
T – MIL-DTL-26482 (series 1)									
Coupling Ring Option:									
3 – spin coupling									
Angle Code:									
S – straight									
F – 45°									
N – 90°									
Material & Finish Code									
Shell Size									
Cable Entry Code									
Length Code for Straight Parts:									
ST – for standard length (L) – 1.25"									
(1/2" increment, for example 8 = 4 inches)									
Banding Option:									
S – CF spring									
T – termination band									
Omit – for none									



Dimensions

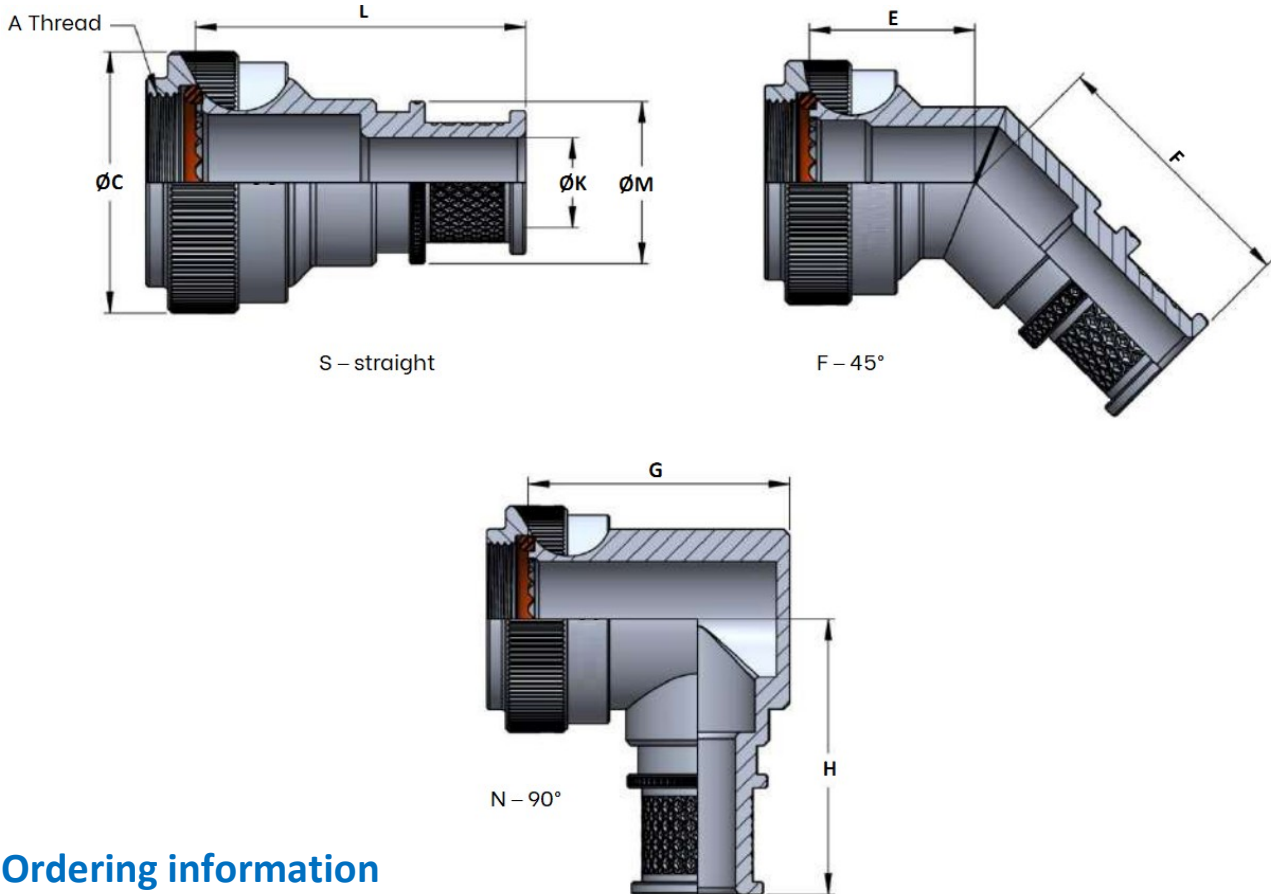
Shell Size		A Thread	Ø C MAX		Cable Entry Code		
38999, series 1	38999, series 2 26482, series 1						
09	08	7/16 - 28 UNEF	18.30		02 – 05		
11	10	9/16 - 24 UNEF	21.50		02 – 07		
13	12	11/16 - 24 UNEF	24.80		02 – 08		
15	14	13/16 - 20 UNEF	28.10		02 – 10		
17	16	15/16 - 20 UNEF	31.10		04 – 12		
19	18	1-1/16 - 18 UNEF	34.30		05 – 12		
21	20	1-3/16 - 18 UNEF	37.60		05 – 14		
23	22	1-5/16 - 18 UNEF	40.80		06 – 16		
25	24	1-7/16 - 18 UNEF	44.00		07 – 20		
Shell Size		E MAX	F MAX	G MAX	H MAX	J MAX	N MAX
38999, series 1	38999, series 2 26482, series 1						
09	08	17.90	26.70	24.70	24.70	16.00	31.00
11	10	18.70	27.90	27.20	27.20	18.00	32.70
13	12	19.10	28.30	30.20	30.20	19.00	34.20
15	14	20.00	29.20	33.20	33.20	21.00	35.70
17	16	20.70	30.00	36.70	36.70	22.50	37.40
19	18	21.10	30.30	40.70	40.70	24.00	38.90
21	20	21.90	31.10	43.20	43.20	26.00	41.60
23	22	22.30	31.50	46.20	46.20	27.00	42.10
25	24	23.20	32.40	49.20	49.20	29.00	43.60

Cable Entry Code	Ø K +0.20	Ø M MAX	Cable Entry Code	Ø K +0.20	Ø M MAX
02	3.20	10.41	12	19.00	26.21
03	4.70	11.91	13	20.60	27.81
04	6.30	13.51	14	22.20	29.41
05	7.90	15.11	15	23.80	31.01
06	9.50	16.71	16	25.40	32.61
07	11.10	18.31	17	27.00	34.21
08	12.70	19.91	18	28.60	35.81
09	14.20	21.41	19	30.20	37.41
10	15.80	23.01	20	31.80	39.01
11	17.40	24.61			



Series ALBS

EMI/RFI banding and shrink boot adapters, self locking coupling
 M85049/85, M85049/86, M85049/87



Ordering information

Basic Series	ALBS	-F	5	S	W	-18	07	-8	-T
Connector Interface:									
F – MIL-DTL-38999 (series 1 & 2)									
T – MIL-DTL-26482 (series 1)									
Coupling Ring Option:									
S – self locking coupling									
Angle Code:									
S – straight (M85049/85)									
F – 45° (M85049/86)									
N – 90° (M85049/87)									
Material & Finish Code									
Shell Size									
Cable Entry Code									
Length Code for Straight Parts:									
ST – for standard length (L) – 1.25"									
(1/2" increment, for example 8 = 4 inches)									
Banding Option:									
S – CF spring									
T – termination band									
Omit – for none									



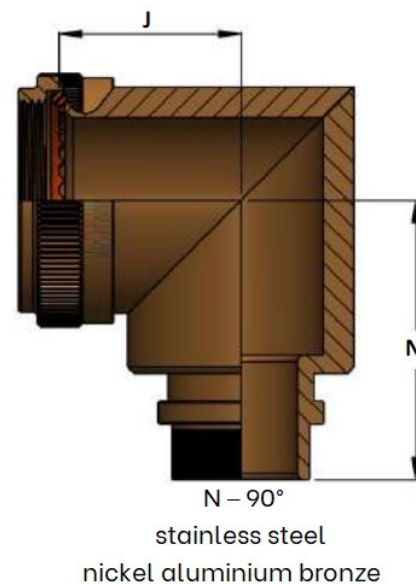
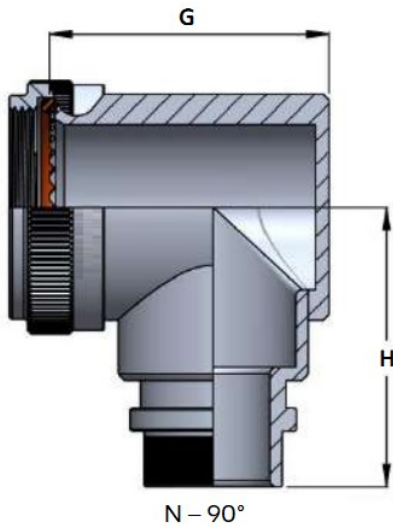
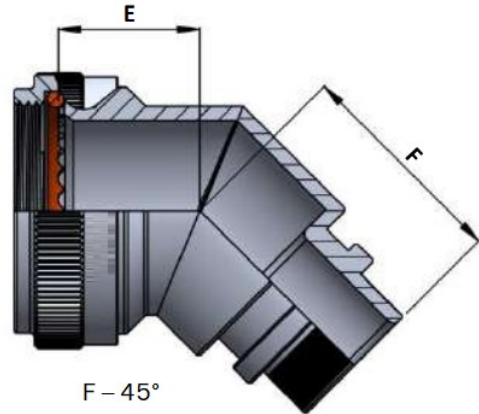
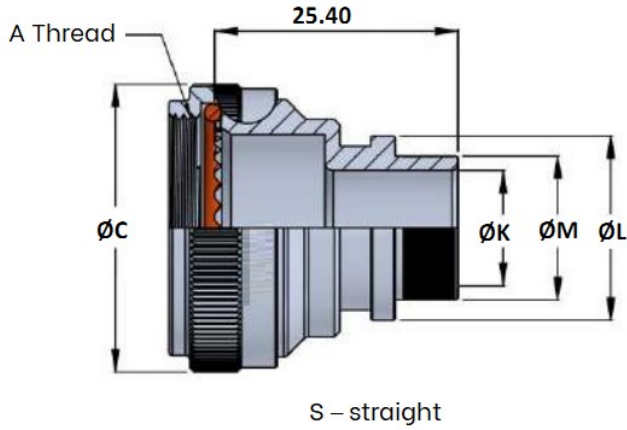
Dimensions

Shell Size		A Thread	Ø C MAX	Cable Entry Code	
38999, series 1	38999, series 2 26482, series 1				
09	08	7/16 - 28 UNEF	21.80	02 – 05	
11	10	9/16 - 24 UNEF	25.00	02 – 07	
13	12	11/16 - 24 UNEF	29.35	02 – 08	
15	14	13/16 - 20 UNEF	32.54	02 – 10	
17	16	15/16 - 20 UNEF	35.70	04 – 12	
19	18	1-1/16 - 18 UNEF	38.50	05 – 12	
21	20	1-3/16 - 18 UNEF	41.65	05 – 14	
23	22	1-5/16 - 18 UNEF	44.85	06 – 16	
25	24	1-7/16 - 18 UNEF	48.00	07 – 20	
Shell Size		E MAX	F MAX	G MAX	H MAX
38999, series 1	38999, series 2 26482, series 1				
09	08	18.40	26.70	29.00	31.00
11	10	19.20	27.90	32.50	32.70
13	12	19.60	28.30	35.50	34.20
15	14	20.50	29.20	38.50	35.70
17	16	21.20	30.00	42.00	37.40
19	18	21.60	30.30	46.00	38.90
21	20	22.40	31.10	48.50	41.60
23	22	22.80	31.50	51.50	42.10
25	24	23.70	32.40	54.00	43.60

Cable Entry Code	Ø K +0.20	Ø M MAX	Cable Entry Code	Ø K +0.20	Ø M MAX
02	3.20	10.41	12	19.00	26.21
03	4.70	11.91	13	20.60	27.81
04	6.30	13.51	14	22.20	29.41
05	7.90	15.11	15	23.80	31.01
06	9.50	16.71	16	25.40	32.61
07	11.10	18.31	17	27.00	34.21
08	12.70	19.91	18	28.60	35.81
09	14.20	21.41	19	30.20	37.41
10	15.80	23.01	20	31.80	39.01
11	17.40	24.61			

Series ALMR

EMI/RFI memory ring shrink boot adapters, spin coupling



Ordering information

Basic Series	ALMR	-F	3	S	W	-18	07	-8
Connector Interface:								
F – MIL-DTL-38999 (series 1 & 2)								
T – MIL-DTL-26482 (series 1)								
Coupling Ring Option:								
3 – spin coupling								
Angle Code:								
S – straight								
F – 45°								
N – 90°								
Material & Finish Code								
Shell Size								
Cable Entry Code								
Length Code for Straight Parts:								
ST – for standard length (L) – 1.00"								
(1/2" increment, for example 8 = 4 inches)								



Dimensions

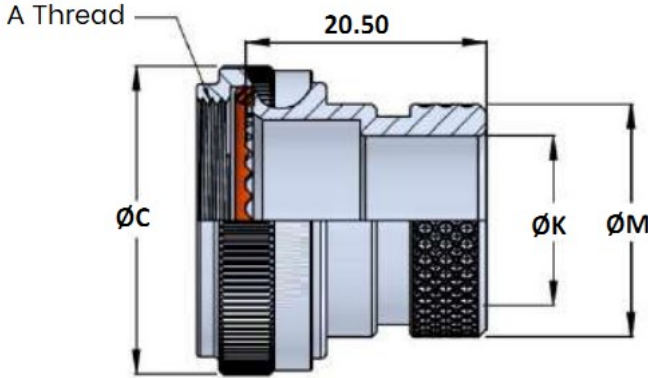
Shell Size		A Thread	Ø C MAX		Cable Entry Code		
38999, series 1	38999, series 2 26482, series 1						
09	08	7/16 - 28 UNEF	18.30		04 – 05		
11	10	9/16 - 24 UNEF	21.50		04 – 07		
13	12	11/16 - 24 UNEF	24.80		04 – 08		
15	14	13/16 - 20 UNEF	28.10		04 – 10		
17	16	15/16 - 20 UNEF	31.10		04 – 12		
19	18	1-1/16 - 18 UNEF	34.30		04 – 12		
21	20	1-3/16 - 18 UNEF	37.60		04 – 14		
23	22	1-5/16 - 18 UNEF	40.80		04 – 16		
25	24	1-7/16 - 18 UNEF	44.00		04 – 20		
Shell Size		E MAX	F MAX	G MAX	H MAX	J MAX	N MAX
38999, series 1	38999, series 2 26482, series 1						
09	08	17.90	21.60	24.70	27.00	16.00	27.50
11	10	18.70	22.40	27.20	28.70	18.00	29.20
13	12	19.10	23.30	30.20	30.20	19.00	30.70
15	14	20.00	23.70	33.20	31.70	21.00	32.20
17	16	20.70	24.50	36.70	33.40	22.50	33.90
19	18	21.10	24.80	40.70	35.00	24.00	35.50
21	20	21.90	25.60	43.20	36.60	26.00	37.10
23	22	22.30	26.50	46.20	38.10	27.00	38.60
25	24	23.20	26.90	49.20	39.60	29.00	40.10

Cable Entry Code	Ø K +0.20	Ø M MAX	Ø L MAX	Cable Entry Code	Ø K +0.20	Ø M MAX	Ø L MAX
04	6.30	9.64	14.14	12	19.00	22.34	26.84
05	7.90	11.24	15.74	14	22.20	25.54	30.04
06	9.50	12.84	17.34	16	25.40	28.74	33.24
07	11.10	14.44	18.94	18	28.60	31.94	36.44
08	12.70	16.04	20.54	20	31.80	35.14	39.64
10	15.80	19.14	23.64				

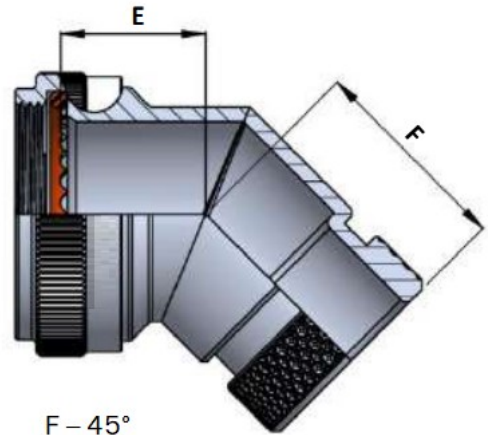


Series ALSA

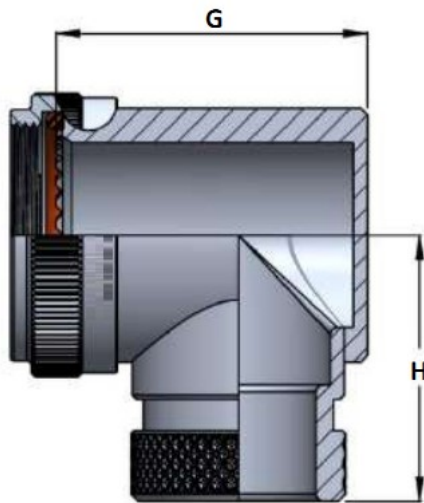
Shrink boot adapters, spin coupling. M85049/62



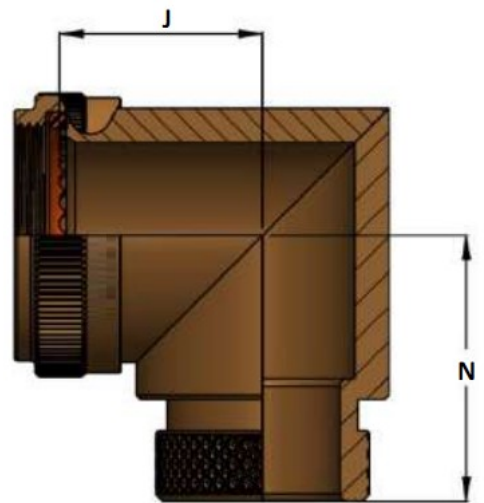
S – straight



F – 45°



N – 90°



N – 90°

stainless steel

nickel aluminium bronze

Ordering information

Basic Series	ALSA	-F	3	S	W	-18	DH
Connector Interface:							
F – MIL-DTL-38999 (series 1 & 2)							
T – MIL-DTL-26482 (series 1)							
Coupling Ring Option:							
3 – spin coupling							
Angle Code:							
S – straight (M85049/62)							
F – 45°							
N – 90°							
Material & Finish Code							
Shell Size							
Drain Holes Option:							
DH – Drain Holes							
Omit – for none							

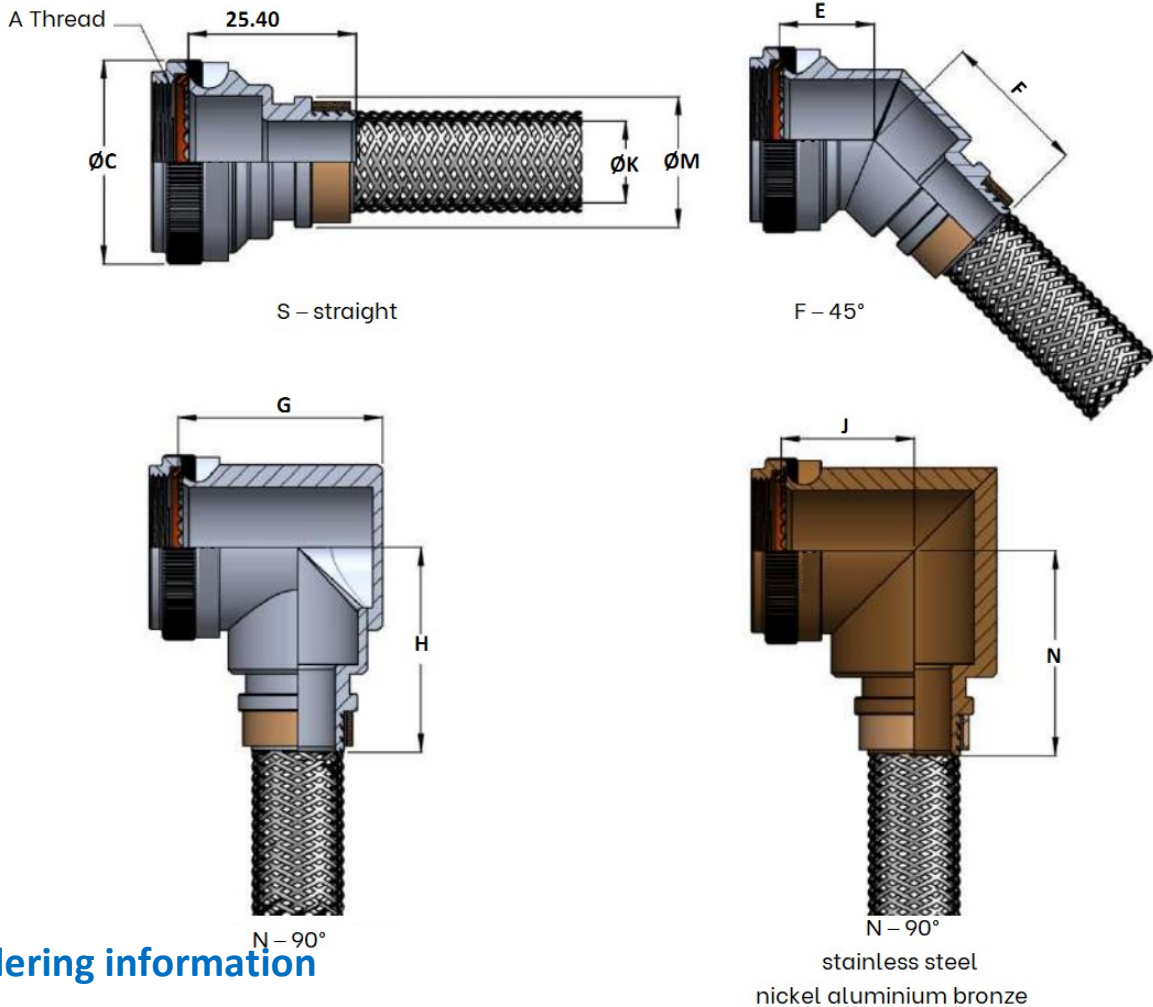
Dimensions

Shell Size		A Thread	Ø C MAX	Ø K	Ø M		
38999, series 1	38999, series 2 26482, series 1						
09	08	7/16 - 28 UNEF	18.30	6.35	13.54		
11	10	9/16 - 24 UNEF	21.50	9.52	15.37		
13	12	11/16 - 24 UNEF	24.80	12.70	19.66		
15	14	13/16 - 20 UNEF	28.10	15.88	21.29		
17	16	15/16 - 20 UNEF	31.10	19.05	24.46		
19	18	1-1/16 - 18 UNEF	34.30	20.62	26.47		
21	20	1-3/16 - 18 UNEF	37.60	23.80	30.91		
23	22	1-5/16 - 18 UNEF	40.80	26.97	34.42		
25	24	1-7/16 - 18 UNEF	44.00	30.18	36.65		
Shell Size		E MAX	F MAX	G MAX	H MAX	J MAX	N MAX
38999, series 1	38999, series 2 26482, series 1						
09	08	17.90	18.60	24.70	26.00	16.00	26.00
11	10	18.70	19.40	27.20	27.80	18.00	27.80
13	12	19.10	20.30	30.20	39.20	19.00	39.20
15	14	20.00	20.60	33.20	30.70	21.00	30.70
17	16	20.70	21.40	36.70	32.40	22.50	32.40
19	18	21.10	21.80	40.70	34.00	24.00	34.00
21	20	21.90	22.60	43.20	36.00	26.00	36.00
23	22	22.30	23.50	46.20	37.20	27.00	37.20
25	24	23.20	23.90	49.20	38.60	29.00	38.60



Series ALSS

EMI/RFI shield sock shrink boot adapters, spin coupling M85049/112 & M85049/114



Ordering information

Basic Series	ALSS	-F	3	S	W	-18	07	-08	-6
Connector Interface:									
F – MIL-DTL-38999 (series 1 & 2)									
T – MIL-DTL-26482 (series 1)									
Coupling Ring Option:									
3 – spin coupling									
Angle Code:									
S – straight (M85049/112)									
F – 45°									
N – 90° (M85049/114)									
Material & Finish Code									
Shell Size									
Cable Entry Code									
Braid Length Code:									
Standard supply will be 6.00" (custom option available in 1" increment. for example 8 = 8 inches)									
Length Code for Straight Parts:									
ST – for standard length (L) – 1.00"									
(1/2" increment, for example 8 = 4 inches)									



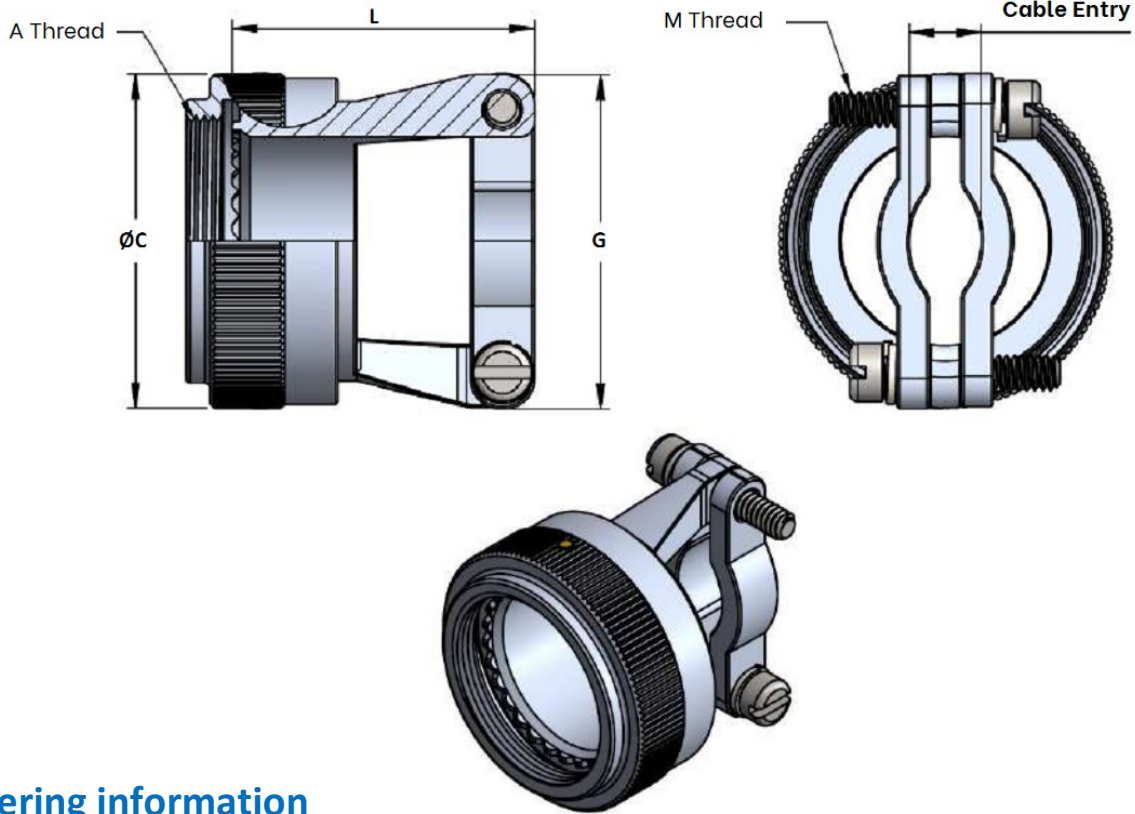
Dimensions

Shell Size		A Thread	Ø C MAX		Cable Entry Code		
38999, series 1	38999, series 2 26482, series 1						
09	08	7/16 - 28 UNEF	18.30		03 - 04		
11	10	9/16 - 24 UNEF	21.50		03 - 06		
13	12	11/16 - 24 UNEF	24.80		03 - 08		
15	14	13/16 - 20 UNEF	28.10		03 - 09		
17	16	15/16 - 20 UNEF	31.10		03 - 11		
19	18	1-1/16 - 18 UNEF	34.30		03 - 13		
21	20	1-3/16 - 18 UNEF	37.60		03 - 15		
23	22	1-5/16 - 18 UNEF	40.80		03 - 17		
25	24	1-7/16 - 18 UNEF	44.00		03 - 18		
Shell Size		E MAX	F MAX	G MAX	H MAX	J MAX	N MAX
38999, series 1	38999, series 2 26482, series 1						
09	08	17.90	18.10	24.70	25.00	16.00	25.00
11	10	18.70	19.20	27.20	26.70	18.00	26.70
13	12	19.10	19.60	30.20	28.20	19.00	28.20
15	14	20.00	20.50	33.20	29.70	21.00	29.70
17	16	20.70	21.30	36.70	31.40	22.50	31.40
19	18	21.10	21.80	40.70	33.00	24.00	33.00
21	20	21.90	22.70	43.20	34.60	26.00	34.60
23	22	22.30	23.00	46.20	36.10	27.00	36.10
25	24	23.20	23.90	49.20	37.60	29.00	37.60

Cable Entry Code	Ø K +0.20	Ø M MAX	Cable Entry Code	Ø K +0.20	Ø M MAX
03	4.70	12.40	11	17.40	25.10
04	6.30	14.00	12	19.00	26.70
05	7.90	15.60	13	20.60	28.30
06	9.50	17.20	14	22.20	29.90
07	11.10	18.80	15	23.80	31.50
08	12.70	20.40	16	25.40	33.10
09	14.20	21.90	17	27.00	34.70
10	15.80	23.50	18	28.60	36.30

Series ALSB

Straight Strain Reliefs, spin coupling. M85049/49-2



Ordering information

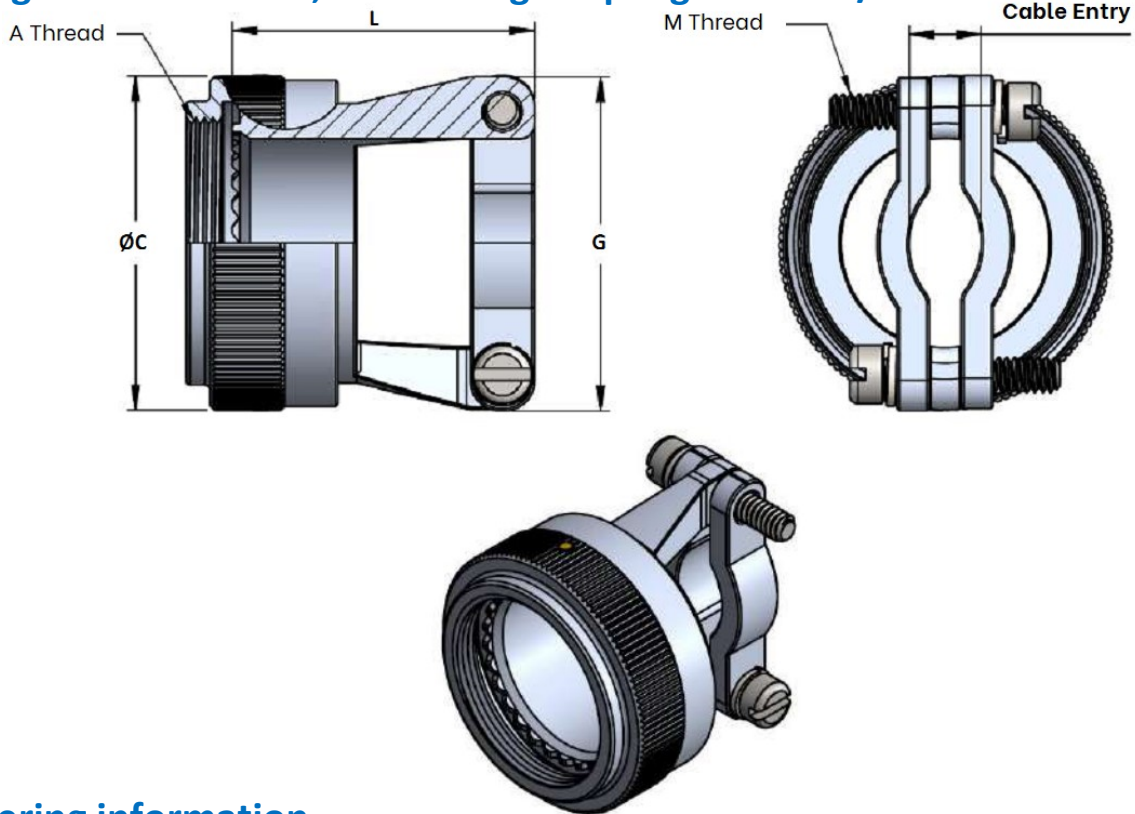
Basic Series	ALSB	-F	3	S	-14
Connector Interface:					
F – MIL-DTL-38999 (series 1 & 2)					
T – MIL-DTL-26482 (series 1)					
Coupling Ring Option:					
3 – spin coupling					
Material & Finish Code					
Shell Size					

Dimensions

Shell Size		A Thread	Ø C MAX	Cable Entry	L MAX	G MAX	M Thread
38999, series 1	38999, series 2 26482, series 1						
09	08	7/16 - 28 UNEF	18.30	2.49 – 5.94	21.80	21.60	6-32
11	10	9/16 - 24 UNEF	21.50	3.89 – 5.94	21.80	22.90	6-32
13	12	11/16 - 24 UNEF	24.80	4.83 – 8.33	23.00	27.90	6-32
15	14	13/16 - 20 UNEF	28.10	6.60 – 11.61	23.00	29.20	6-32
17	16	15/16 - 20 UNEF	31.10	7.19 – 15.60	25.00	33.00	6-32
19	18	1-1/16 - 18 UNEF	34.30	8.26 – 16.10	28.00	38.10	8-32
21	20	1-3/16 - 18 UNEF	37.60	8.71 – 17.73	29.50	40.60	8-32
23	22	1-5/16 - 18 UNEF	40.80	9.68 – 20.90	33.00	43.20	8-32
25	24	1-7/16 - 18 UNEF	44.00	10.62 – 21.67	36.00	45.70	8-32

Series ALSB

Straight Strain Reliefs, self locking coupling. M85049/49-2



Ordering information

Basic Series	ALSB	-F	5	S	-14
Connector Interface:					
F – MIL-DTL-38999 (series 1 & 2)					
T – MIL-DTL-26482 (series 1)					
Coupling Ring Option:					
5 – self locking coupling					
Material & Finish Code					
Shell Size					

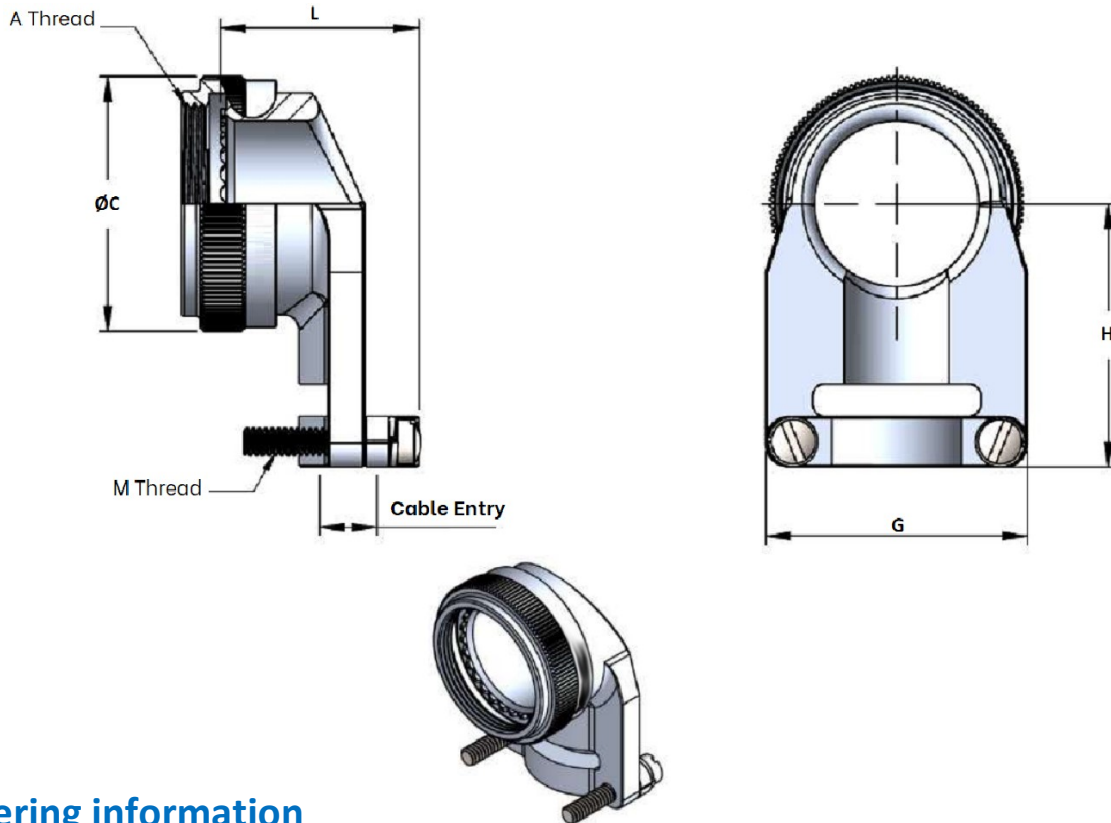
Dimensions

Shell Size		A Thread	Ø C MAX	Cable Entry	L MAX	G MAX	M Thread
38999, series 1	38999, series 2 26482, series 1						
09	08	7/16 - 28 UNEF	21.80	2.49 – 5.94	23.10	21.60	6-32
11	10	9/16 - 24 UNEF	25.00	3.89 – 5.94	23.10	22.90	6-32
13	12	11/16 - 24 UNEF	29.35	4.83 – 8.33	25.70	27.90	6-32
15	14	13/16 - 20 UNEF	32.54	6.60 – 11.61	26.90	29.20	6-32
17	16	15/16 - 20 UNEF	35.70	7.19 – 15.60	29.50	33.00	6-32
19	18	1-1/16 - 18 UNEF	38.50	8.26 – 16.10	35.80	38.10	8-32
21	20	1-3/16 - 18 UNEF	41.65	8.71 – 17.73	38.40	40.60	8-32
23	22	1-5/16 - 18 UNEF	44.85	9.68 – 20.90	42.20	43.20	8-32
25	24	1-7/16 - 18 UNEF	48.00	10.62 – 21.67	44.70	45.70	8-32



Series ALAB

90° Strain Reliefs, spin coupling. M85049/47



Ordering information

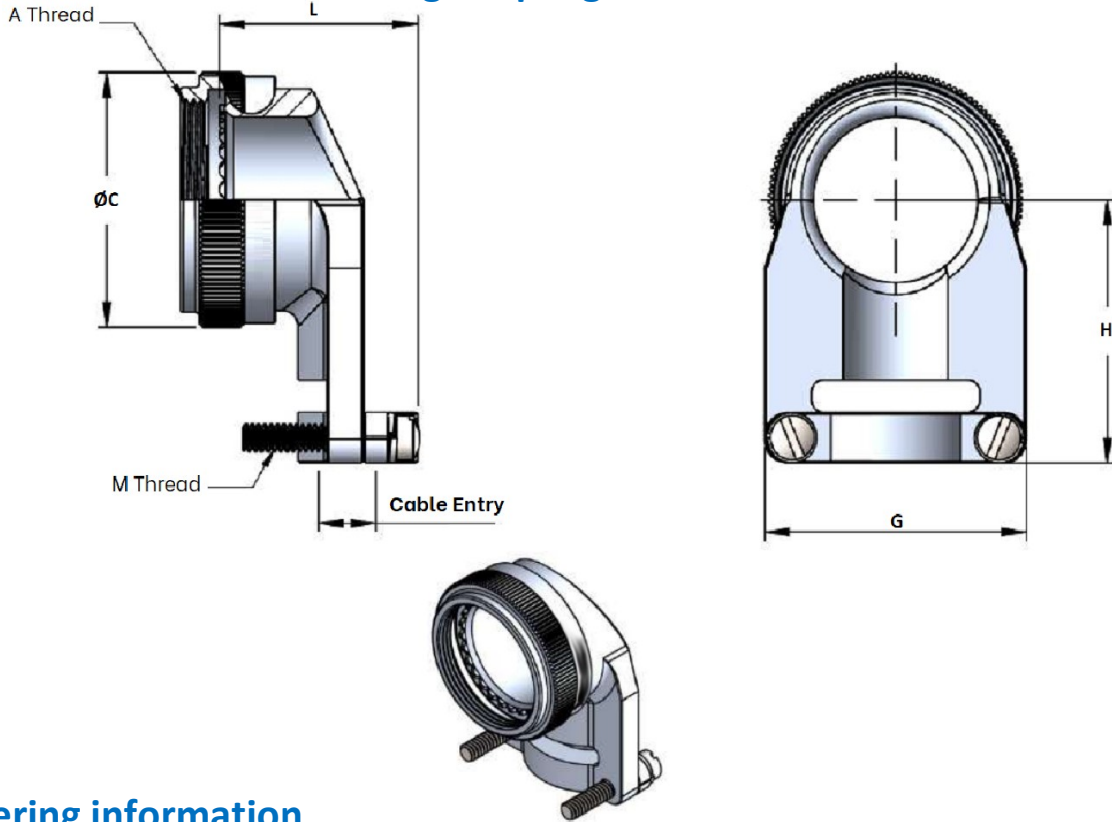
Basic Series	ALAB	-F	3	S	-14
Connector Interface:					
F – MIL-DTL-38999 (series 1 & 2)					
T – MIL-DTL-26482 (series 1)					
Coupling Ring Option:					
3 – spin coupling					
Material & Finish Code					
Shell Size					

Dimensions

Shell Size		A Thread	Ø C MAX	Cable Entry	L MAX	G MAX	H MAX	M Thread
38999, series 1	38999, series 2 26482, series 1							
09	08	7/16 - 28 UNEF	18.30	2.49 – 5.94	25.70	21.60	25.40	6-32
11	10	9/16 - 24 UNEF	21.50	3.89 – 5.94	25.70	22.90	27.90	6-32
13	12	11/16 - 24 UNEF	24.80	4.83 – 8.33	30.70	27.90	27.90	6-32
15	14	13/16 - 20 UNEF	28.10	6.60 – 11.61	32.00	29.20	31.80	6-32
17	16	15/16 - 20 UNEF	31.10	7.19 – 15.60	35.80	33.00	33.00	6-32
19	18	1-1/16 - 18 UNEF	34.30	8.26 – 16.10	38.40	38.10	34.30	8-32
21	20	1-3/16 - 18 UNEF	37.60	8.71 – 17.73	42.20	40.60	40.60	8-32
23	22	1-5/16 - 18 UNEF	40.80	9.68 – 20.90	44.70	43.20	44.50	8-32
25	24	1-7/16 - 18 UNEF	44.00	10.62 – 21.67	48.50	45.70	47.00	8-32

Series ALSB

90° Strain Reliefs, self locking coupling. M85049/47



Ordering information

Basic Series	ALAB	-F	5	S	-14
Connector Interface:					
F – MIL-DTL-38999 (series 1 & 2)					
T – MIL-DTL-26482 (series 1)					
Coupling Ring Option:					
5 – self locking coupling					
Material & Finish Code					
Shell Size					

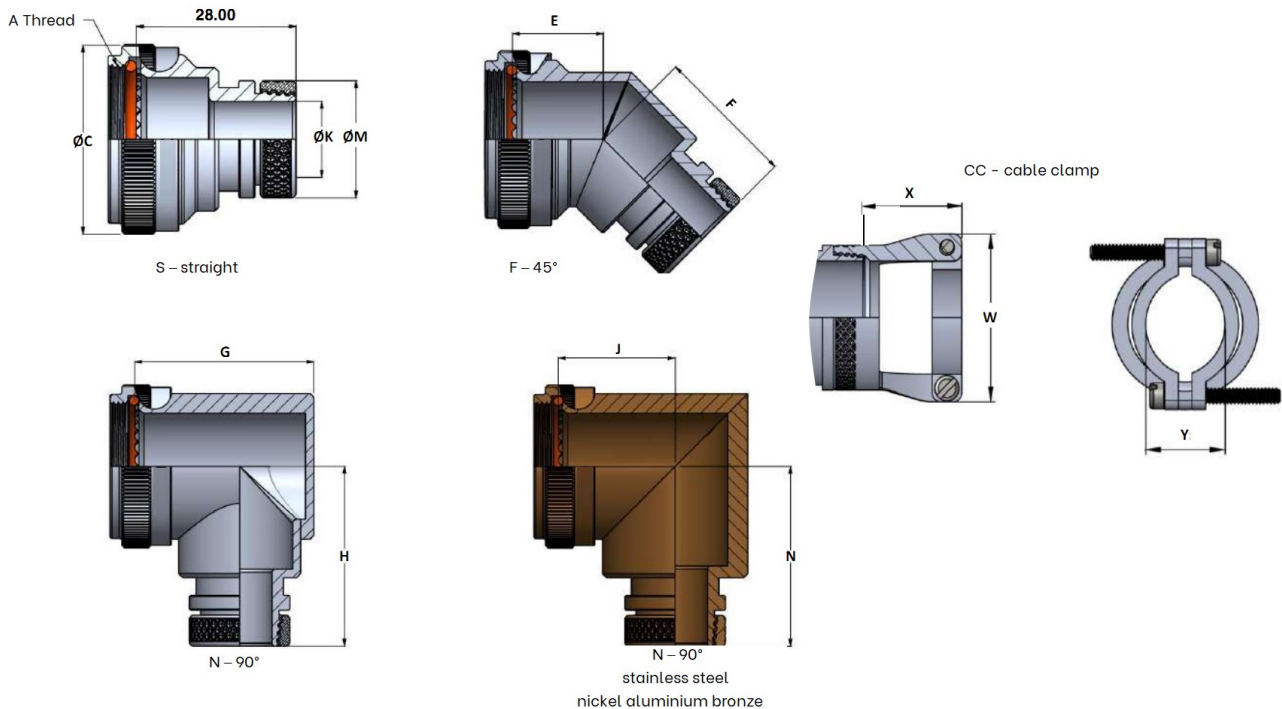
Dimensions

Shell Size		A Thread	Ø C MAX	Cable Entry	L MAX	G MAX	H MAX	M Thread
38999, series 1	38999, series 2 26482, series 1							
09	08	7/16 - 28 UNEF	21.80	2.49 – 5.94	25.70	21.60	25.40	6-32
11	10	9/16 - 24 UNEF	25.00	3.89 – 5.94	25.70	22.90	27.90	6-32
13	12	11/16 - 24 UNEF	29.35	4.83 – 8.33	30.70	27.90	27.90	6-32
15	14	13/16 - 20 UNEF	32.54	6.60 – 11.61	32.00	29.20	31.80	6-32
17	16	15/16 - 20 UNEF	35.70	7.19 – 15.60	35.80	33.00	33.00	6-32
19	18	1-1/16 - 18 UNEF	38.50	8.26 – 16.10	38.40	38.10	34.30	8-32
21	20	1-3/16 - 18 UNEF	41.65	8.71 – 17.73	42.20	40.60	40.60	8-32
23	22	1-5/16 - 18 UNEF	44.85	9.68 – 20.90	44.70	43.20	44.50	8-32
25	24	1-7/16 - 18 UNEF	48.00	10.62 – 21.67	48.50	45.70	47.00	8-32



Series ALLB

EMI/RFI lamp base thread shrink boot adapters, spin coupling



Ordering information

Basic Series	ALLB	-F	3	S	W	-18	07	-8	-CC
Connector Interface:									
F – MIL-DTL-38999 (series 1 & 2)									
T – MIL-DTL-26482 (series 1)									
Coupling Ring Option:									
3 – spin coupling									
Angle Code:									
S – straight									
F – 45°									
N – 90°									
Material & Finish Code									
Shell Size									
Cable Entry Code									
Length Code for Straight Parts:									
ST – for standard length (L) – 1.10"									
(1/2" increment, for example 8 = 4 inches)									
Cable Clamp Option:									
CC – Cable Clamp									
Omit – back nut									



Dimensions

Shell Size		A Thread	Ø C MAX	Cable Clamp			
38999, series 1	38999, series 2 26482, series 1			F MAX	H MAX	N MAX	
09	08	7/16 - 28 UNEF	18.30	25.00	31.50	31.50	
11	10	9/16 - 24 UNEF	21.50	25.60	33.20	33.20	
13	12	11/16 - 24 UNEF	24.80	26.00	34.70	34.70	
15	14	13/16 - 20 UNEF	28.10	26.90	36.20	36.20	
17	16	15/16 - 20 UNEF	31.10	27.70	37.90	37.90	
19	18	1-1/16 - 18 UNEF	34.30	28.00	39.50	39.50	
21	20	1-3/16 - 18 UNEF	37.60	28.90	41.10	41.10	
23	22	1-5/16 - 18 UNEF	40.80	29.30	42.60	42.60	
25	24	1-7/16 - 18 UNEF	44.00	30.10	44.10	44.10	
Shell Size		E MAX	G MAX	J MAX	Back Nut		
38999, series 1	38999, series 2 26482, series 1				F MAX	H MAX	N MAX
09	08	17.90	24.70	16.00	20.90	27.00	27.00
11	10	18.70	27.20	18.00	21.60	28.70	28.70
13	12	19.10	30.20	19.00	22.00	31.50	31.50
15	14	20.00	33.20	21.00	22.90	31.70	31.70
17	16	20.70	36.70	22.50	23.70	33.50	33.50
19	18	21.10	40.70	24.00	24.00	35.10	35.10
21	20	21.90	43.20	26.00	24.90	36.70	36.70
23	22	22.30	46.20	27.00	25.30	38.10	38.10
25	24	23.20	49.20	29.00	26.10	39.60	39.60



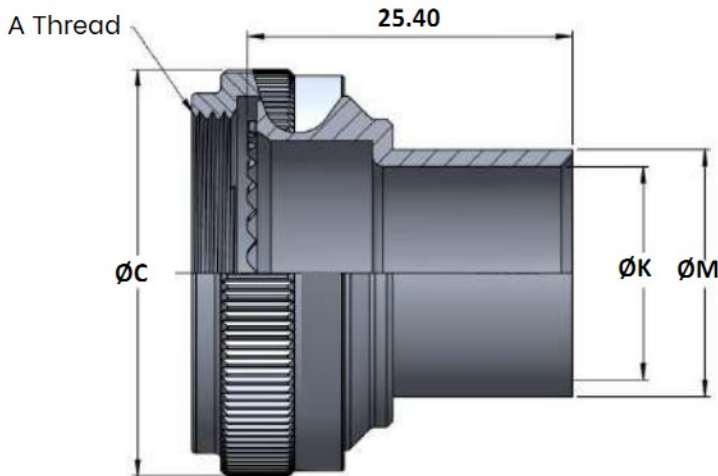
Dimensions

Shell Size		Cable Entry Code
38999, series 1	38999, series 2 26482, series 1	
09	08	03
11	10	03 – 07
13	12	03 – 08
15	14	03 – 08
17	16	03 – 10
19	18	03 – 12
21	20	03 – 14
23	22	03 – 16
25	24	03 – 18

Cable Entry Code	Ø K +0.20	Ø M MAX	W MAX	X MAX	Y MAX
03	4.70	15.20	17.50	12.80	5.80
04	6.30	15.20	19.10	12.80	5.70
05	7.90	16.80	20.70	12.80	6.80
06	9.50	18.40	22.30	12.80	6.90
07	11.10	20.00	23.80	12.80	8.10
08	12.70	21.60	25.30	15.80	8.50
09	14.20	23.20	27.00	15.80	9.70
10	15.80	24.80	28.60	15.80	10.40
11	17.40	26.40	30.30	18.80	11.50
12	19.00	27.90	31.80	18.80	11.50
13	20.60	29.50	33.30	18.80	14.00
14	22.20	31.10	35.00	21.80	15.40
15	23.80	32.70	36.70	21.80	16.80
16	25.40	34.30	38.10	21.80	17.30
17	27.00	35.90	39.70	21.80	18.80
18	28.60	37.50	41.30	21.80	19.50

Series ALCR

Crimp ring backshells, spin coupling. M85049/33-2



Ordering information

Basic Series	ALCR	-F	3	S	-14
Connector Interface:					
F – MIL-DTL-38999 (series 1 & 2)					
T – MIL-DTL-26482 (series 1)					
Coupling Ring Option:					
3 – spin coupling					
Material & Finish Code					
Shell Size					

Dimensions

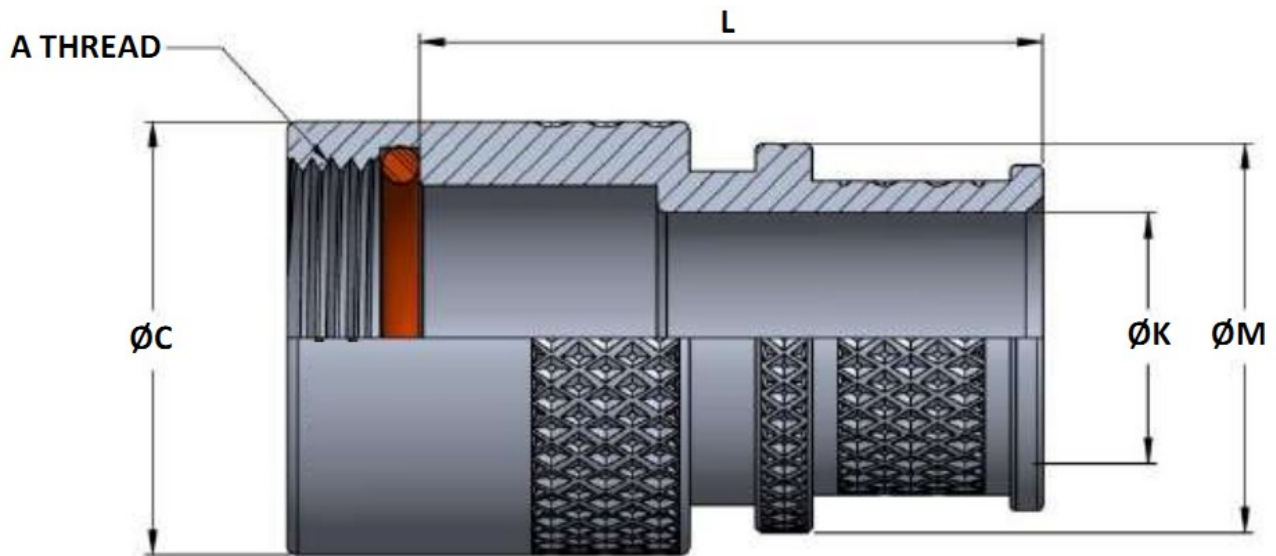
Shell Size		A Thread	Ø C MAX	Ø K MAX	Ø M MAX
38999, series 1	38999, series 2 26482, series 1				
09	08	7/16 - 28 UNEF	18.30	6.40	8.80
11	10	9/16 - 24 UNEF	21.50	8.30	12.60
13	12	11/16 - 24 UNEF	24.80	10.70	13.00
15	14	13/16 - 20 UNEF	28.10	13.70	16.00
17	16	15/16 - 20 UNEF	31.10	17.00	19.30
19	18	1-1/16 - 18 UNEF	34.30	20.00	22.60
21	20	1-3/16 - 18 UNEF	37.60	23.20	25.70
23	22	1-5/16 - 18 UNEF	40.80	26.40	28.70
25	24	1-7/16 - 18 UNEF	44.00	28.20	30.50



MIL-DTL-38999 (series 3 & 4)

Series ALBS

EMI/RFI banding and shrink boot adapters, direct coupling



Ordering information

Basic Series	ALBS	-H	1	S	W	-19	07	-ST	-T
Connector Interface:									
H – MIL-DTL-38999 (series 3 & 4)									
Coupling Ring Option:									
1 – direct coupling									
Angle Code:									
S – straight									
Material & Finish Code									
Shell Size									
Cable Entry Code									
Length Code for Straight Parts:									
ST – for standard length (L) – 1.25"									
(1/2" increment, for example 8 = 4 inches)									
Banding Option:									
S – CF spring									
T – termination band									
Omit – for none									



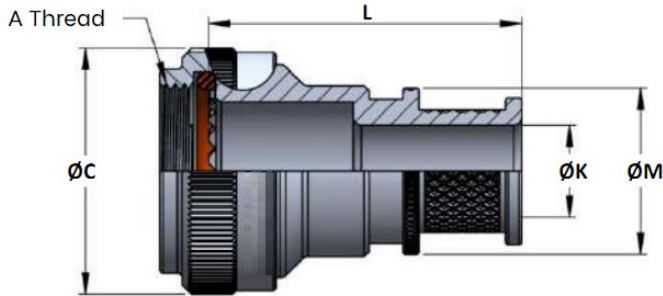
Dimensions

Shell Size	A Thread	Ø C MAX	Cable Entry Code
09	M12 x 1.0	16.50	02 – 05
11	M15 x 1.0	19.00	02 – 07
13	M18 x 1.0	22.16	02 – 09
15	M22 x 1.0	25.34	02 – 11
17	M25 x 1.0	29.31	02 – 13
19	M28 x 1.0	32.49	02 – 14
21	M31 x 1.0	36.46	02 – 16
23	M34 x 1.0	39.63	02 – 18
25	M37 x 1.0	41.48	02 – 20

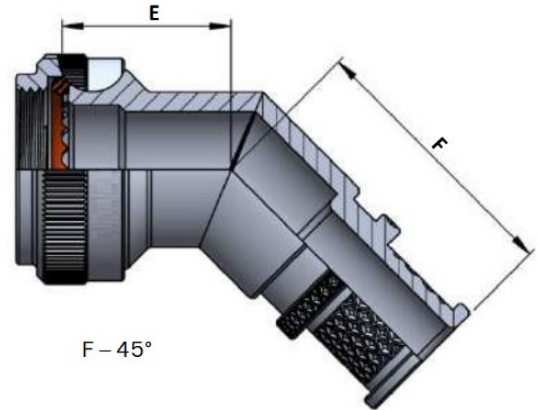
Cable Entry Code	Ø K +0.20	Ø M MAX
02	3.20	10.41
03	4.70	11.91
04	6.30	13.51
05	7.90	15.11
06	9.50	16.71
07	11.10	18.31
08	12.70	19.91
09	14.20	21.41
10	15.80	23.01
11	17.40	24.61
12	19.00	26.21
13	20.60	27.81
14	22.20	29.41
15	23.80	31.01
16	25.40	32.61
17	27.00	34.21
18	28.60	35.81
19	30.20	37.41
20	31.80	39.01

Series ALBS

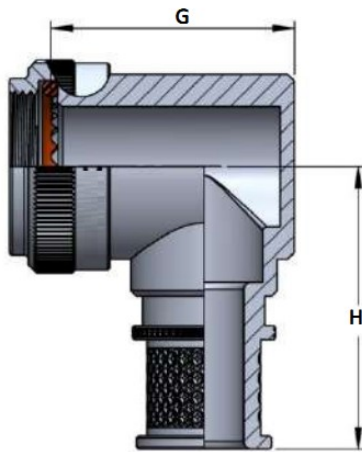
EMI/RFI banding and shrink boot adapters, spin coupling



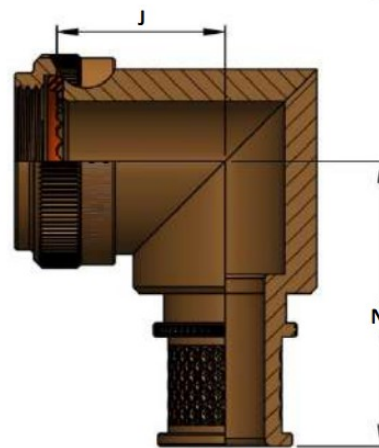
S – straight



F – 45°



N – 90°



N – 90°

stainless steel
nickel aluminium bronze

Ordering information

Basic Series	ALBS	-H	3	S	W	-19	07	-8	-T
Connector Interface:									
H – MIL-DTL-38999 (series 3 & 4)									
Coupling Ring Option:									
3 – spin coupling									
Angle Code:									
S – straight									
F – 45°									
N – 90°									
Material & Finish Code									
Shell Size									
Cable Entry Code									
Length Code for Straight Parts:									
ST – for standard length (L) – 1.25"									
(1/2" increment, for example 8 = 4 inches)									
Banding Option:									
S – CF spring									
T – termination band									
Omit – for none									



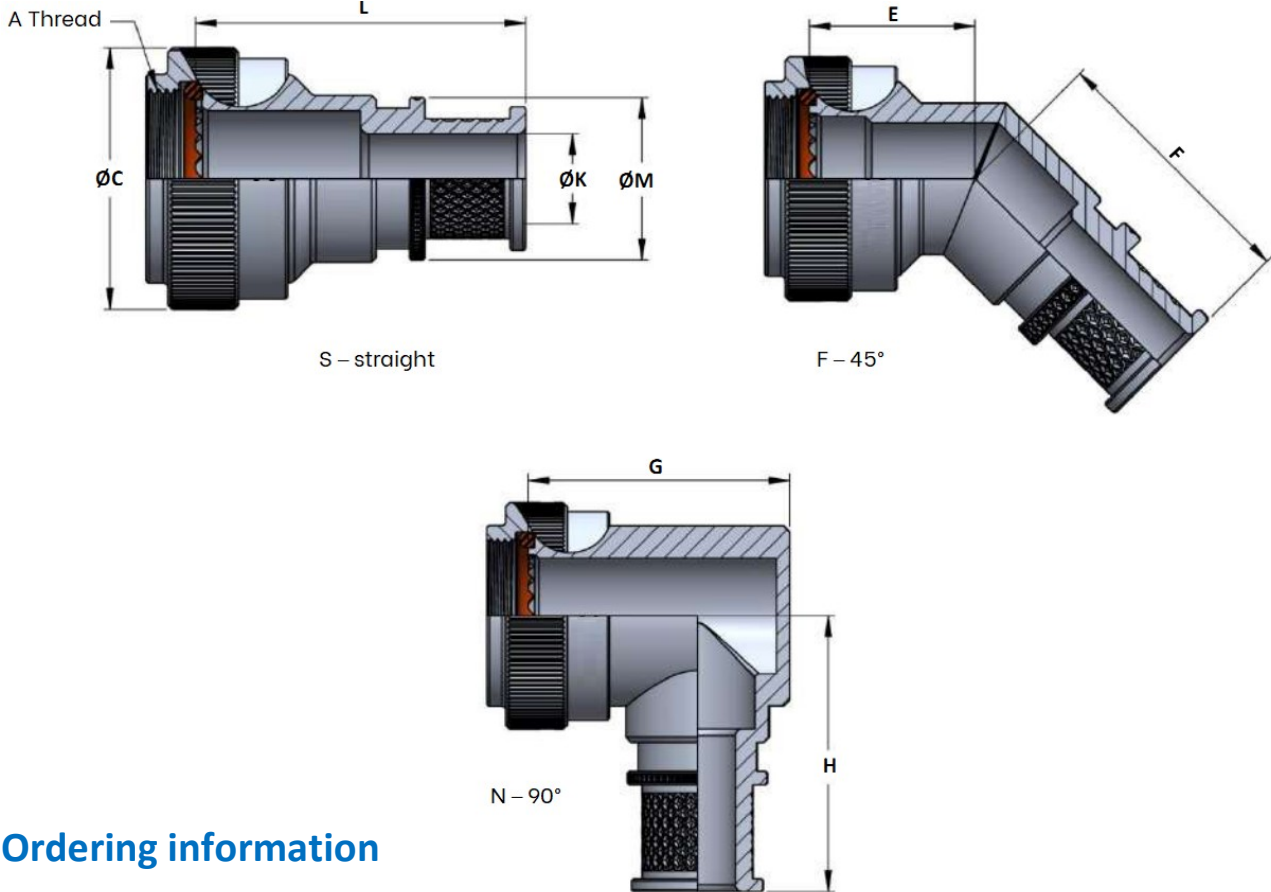
Dimensions

Shell Size	A Thread	Ø C MAX		Cable Entry Code		
09	M12 x 1.0	19.00		02 – 05		
11	M15 x 1.0	21.80		02 – 07		
13	M18 x 1.0	25.40		02 – 08		
15	M22 x 1.0	29.30		02 – 10		
17	M25 x 1.0	32.00		04 – 12		
19	M28 x 1.0	35.40		05 – 12		
21	M31 x 1.0	39.30		05 – 14		
23	M34 x 1.0	41.55		06 – 16		
25	M37 x 1.0	46.12		07 – 20		
Shell Size	E MAX	F MAX	G MAX	H MAX	J MAX	N MAX
09	14.10	26.70	27.70	31.50	17.40	33.40
11	14.90	27.90	28.70	33.20	18.80	34.60
13	15.50	28.30	33.20	34.70	20.60	35.80
15	16.50	29.20	39.20	36.20	22.70	37.60
17	17.10	30.00	42.20	37.90	24.30	39.50
19	17.80	30.30	46.70	39.50	26.40	41.30
21	18.10	31.10	49.70	41.10	27.10	43.00
23	18.70	31.50	52.20	42.60	28.60	44.40
25	19.40	32.40	53.70	44.10	30.10	45.80

Cable Entry Code	Ø K +0.20	Ø M MAX	Cable Entry Code	Ø K +0.20	Ø M MAX
02	3.20	10.41	12	19.00	26.21
03	4.70	11.91	13	20.60	27.81
04	6.30	13.51	14	22.20	29.41
05	7.90	15.11	15	23.80	31.01
06	9.50	16.71	16	25.40	32.61
07	11.10	18.31	17	27.00	34.21
08	12.70	19.91	18	28.60	35.81
09	14.20	21.41	19	30.20	37.41
10	15.80	23.01	20	31.80	39.01
11	17.40	24.61			

Series ALBS

EMI/RFI banding and shrink boot adapters, self locking coupling
 M85049/88, M85049/89, M85049/90



Ordering information

Basic Series	ALBS	-H	5	S	W	-18	07	-8	-T
Connector Interface:									
H – MIL-DTL-38999 (series 3 & 4)									
Coupling Ring Option:									
5 – self locking coupling									
Angle Code:									
S – straight (M85049/88)									
F – 45° (M85049/89)									
N – 90° (M85049/90)									
Material & Finish Code									
Shell Size									
Cable Entry Code									
Length Code for Straight Parts:									
ST – for standard length (L) – 1.25"									
(1/2" increment, for example 8 = 4 inches)									
Banding Option:									
S – CF spring									
T – termination band									
Omit – for none									



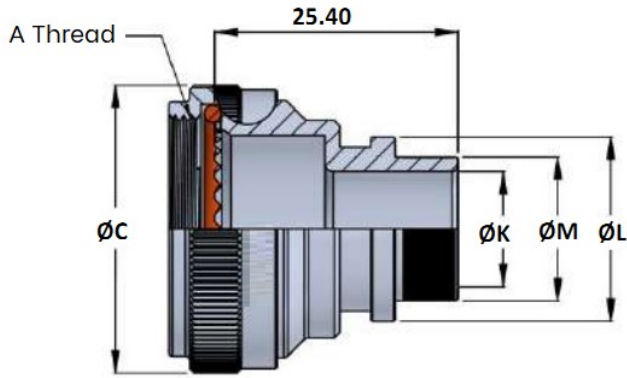
Dimensions

Shell Size	A Thread	Ø C MAX	Cable Entry Code	
09	M12 x 1.0	21.50	02 – 05	
11	M15 x 1.0	24.65	02 – 07	
13	M18 x 1.0	28.10	02 – 08	
15	M22 x 1.0	31.50	02 – 10	
17	M25 x 1.0	34.50	04 – 12	
19	M28 x 1.0	37.50	05 – 12	
21	M31 x 1.0	40.50	05 – 14	
23	M34 x 1.0	43.50	06 – 16	
25	M37 x 1.0	47.50	07 – 20	
Shell Size	E MAX	F MAX	G MAX	H MAX
09	19.60	26.70	34.90	31.50
11	20.20	27.90	36.50	33.20
13	20.80	28.30	39.70	34.70
15	21.20	29.20	42.80	36.20
17	21.00	30.00	44.50	37.90
19	22.30	30.30	47.60	39.50
21	23.00	31.10	49.20	41.10
23	23.70	31.50	52.40	42.60
25	24.30	32.40	54.00	44.10

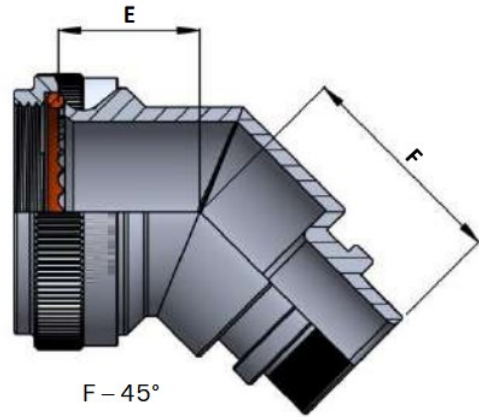
Cable Entry Code	Ø K +0.20	Ø M MAX	Cable Entry Code	Ø K +0.20	Ø M MAX
02	3.20	10.41	12	19.00	26.21
03	4.70	11.91	13	20.60	27.81
04	6.30	13.51	14	22.20	29.41
05	7.90	15.11	15	23.80	31.01
06	9.50	16.71	16	25.40	32.61
07	11.10	18.31	17	27.00	34.21
08	12.70	19.91	18	28.60	35.81
09	14.20	21.41	19	30.20	37.41
10	15.80	23.01	20	31.80	39.01
11	17.40	24.61			

Series ALMR

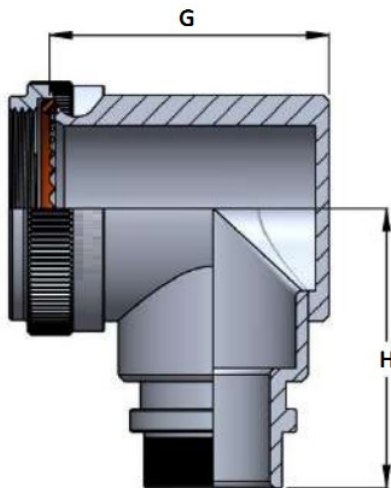
EMI/RFI memory ring shrink boot adapters, spin coupling



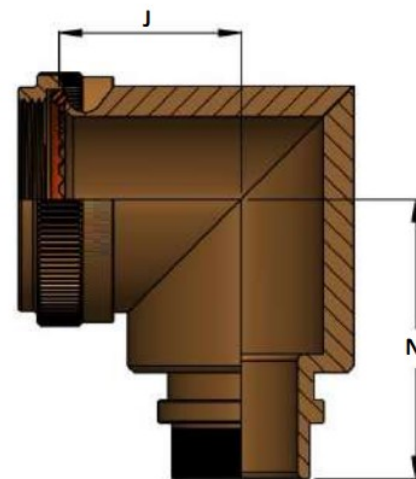
S – straight



F – 45°



N – 90°



N – 90°

stainless steel
nickel aluminium bronze

Ordering information

Basic Series	ALMR	-H	3	S	W	-19	07	-8
Connector Interface:								
H – MIL-DTL-38999 (series 3 & 4)								
Coupling Ring Option:								
3 – spin coupling								
Angle Code:								
S – straight								
F – 45°								
N – 90°								
Material & Finish Code								
Shell Size								
Cable Entry Code								
Length Code for Straight Parts:								
ST – for standard length (L) – 1.00"								
(1/2" increment, for example 8 = 4 inches)								



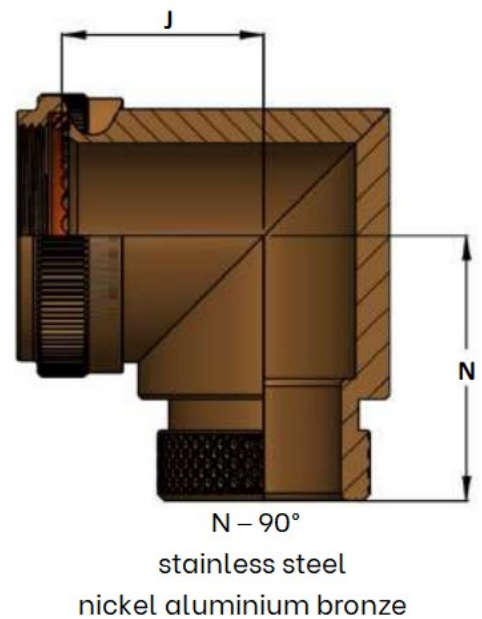
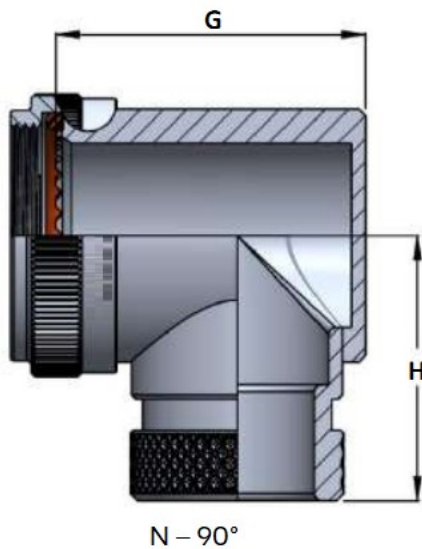
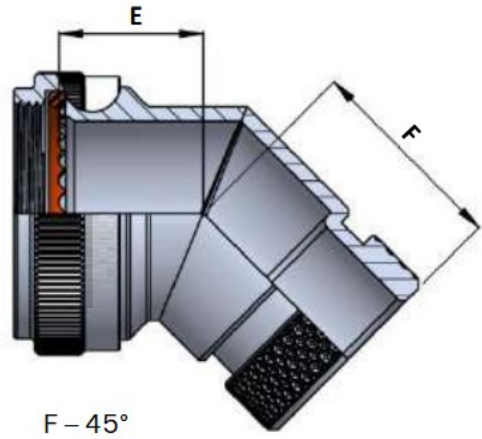
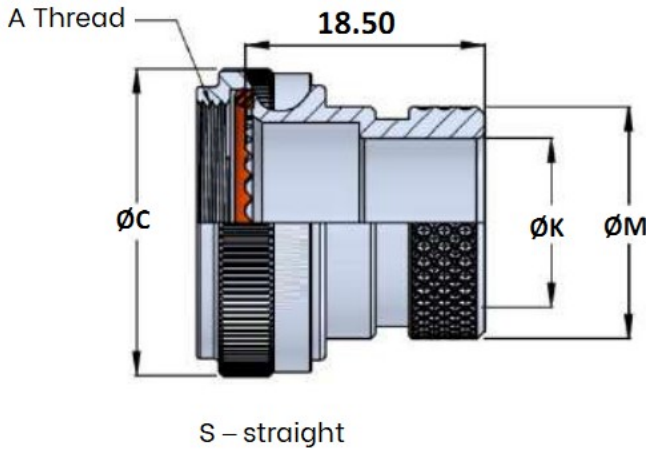
Dimensions

Shell Size	A Thread	Ø C MAX		Cable Entry Code		
09	M12 x 1.0	19.00		04 – 05		
11	M15 x 1.0	21.80		04 – 07		
13	M18 x 1.0	25.40		04 – 08		
15	M22 x 1.0	29.30		04 – 10		
17	M25 x 1.0	32.00		04 – 12		
19	M28 x 1.0	35.40		04 – 12		
21	M31 x 1.0	39.30		04 – 14		
23	M34 x 1.0	41.55		04 – 16		
25	M37 x 1.0	46.12		04 – 20		
Shell Size	E MAX	F MAX	G MAX	H MAX	J MAX	N MAX
09	14.10	27.20	27.70	27.40	17.40	27.40
11	14.90	28.10	28.70	29.20	18.80	29.20
13	15.50	28.50	33.20	30.70	20.60	30.70
15	16.50	29.50	39.20	32.20	22.70	32.20
17	17.10	30.30	42.20	33.90	24.30	33.90
19	17.80	31.10	46.70	35.50	26.40	35.50
21	18.10	31.40	49.70	37.10	27.10	37.10
23	18.70	31.70	52.20	38.60	28.60	38.60
25	19.40	32.60	53.70	40.10	30.10	40.10

Cable Entry Code	Ø K +0.20	Ø M MAX	Ø L MAX	Cable Entry Code	Ø K +0.20	Ø M MAX	Ø L MAX
04	6.30	9.64	14.14	12	19.00	22.34	26.84
05	7.90	11.24	15.74	14	22.20	25.54	30.04
06	9.50	12.84	17.34	16	25.40	28.74	33.24
07	11.10	14.44	18.94	18	28.60	31.94	36.44
08	12.70	16.04	20.54	20	31.80	35.14	39.64
10	15.80	19.14	23.64				

Series ALSA

Shrink boot adapters, spin coupling. M85049/69



Ordering information

Basic Series	ALSA	-H	3	S	W	-19	DH
Connector Interface:							
H – MIL-DTL-38999 (series 3 & 4)							
Coupling Ring Option:							
3 – spin coupling							
Angle Code:							
S – straight (M85049/69)							
F – 45°							
N – 90°							
Material & Finish Code							
Shell Size							
Drain Holes Option:							
DH – Drain Holes							
Omit – for none							

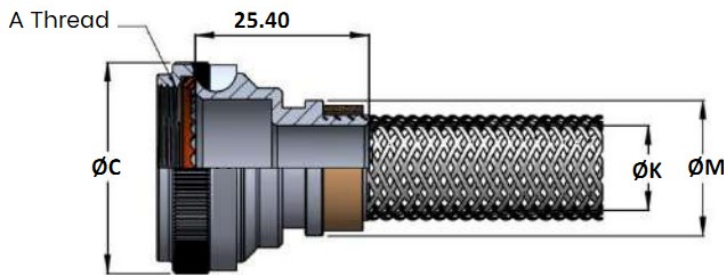


Dimensions

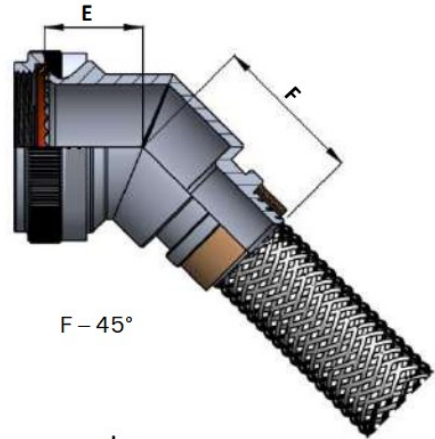
Shell Size	A Thread	Ø C MAX		Ø K	Ø M	
09	M12 x 1.0	19.00		6.35	13.54	
11	M15 x 1.0	21.80		9.52	15.37	
13	M18 x 1.0	25.40		12.70	19.66	
15	M22 x 1.0	29.30		15.88	21.29	
17	M25 x 1.0	32.00		19.05	24.46	
19	M28 x 1.0	35.40		20.62	26.47	
21	M31 x 1.0	39.30		23.80	30.91	
23	M34 x 1.0	41.55		26.97	34.42	
25	M37 x 1.0	46.12		30.18	36.65	
Shell Size	E MAX	F MAX	G MAX	H MAX	J MAX	N MAX
09	14.10	18.6	27.70	26.50	17.40	26.50
11	14.90	19.40	28.70	28.30	18.80	28.30
13	15.50	20.30	33.20	29.70	20.60	29.70
15	16.50	20.60	39.20	31.20	22.70	31.20
17	17.10	21.40	42.20	32.90	24.30	32.90
19	17.80	21.80	46.70	34.50	26.40	34.50
21	18.10	22.60	49.70	36.10	27.10	36.10
23	18.70	23.50	52.20	37.70	28.60	37.70
25	19.40	23.90	53.70	39.10	30.10	39.10

Series ALSS

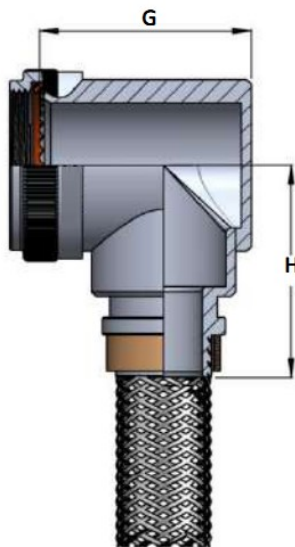
EMI/RFI shield sock shrink boot adapters, spin coupling M85049/115 & M85049/117



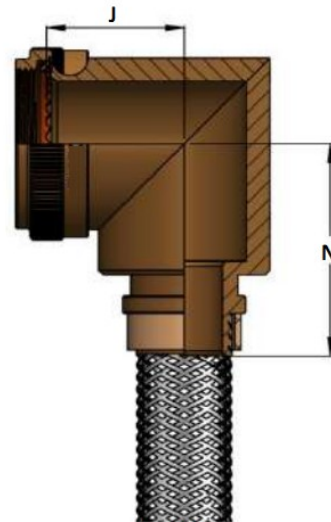
S – straight



F – 45°



N – 90°



N – 90°

stainless steel
nickel aluminium bronze

Ordering information

Basic Series	ALSS	-H	3	S	W	-17	07	-08	-6
Connector Interface:									
H – MIL-DTL-38999 (series 3 & 4)									
Coupling Ring Option:									
3 – spin coupling									
Angle Code:									
S – straight (M85049/115)									
F – 45°									
N – 90° (M85049/117)									
Material & Finish Code									
Shell Size									
Cable Entry Code									
Braid Length Code:									
Standard supply will be 6.00" (custom option available in 1" increment. for example 8 = 8 inches)									
Length Code for Straight Parts:									
ST – for standard length (L) – 1.00"									
(1/2" increment, for example 8 = 4 inches)									



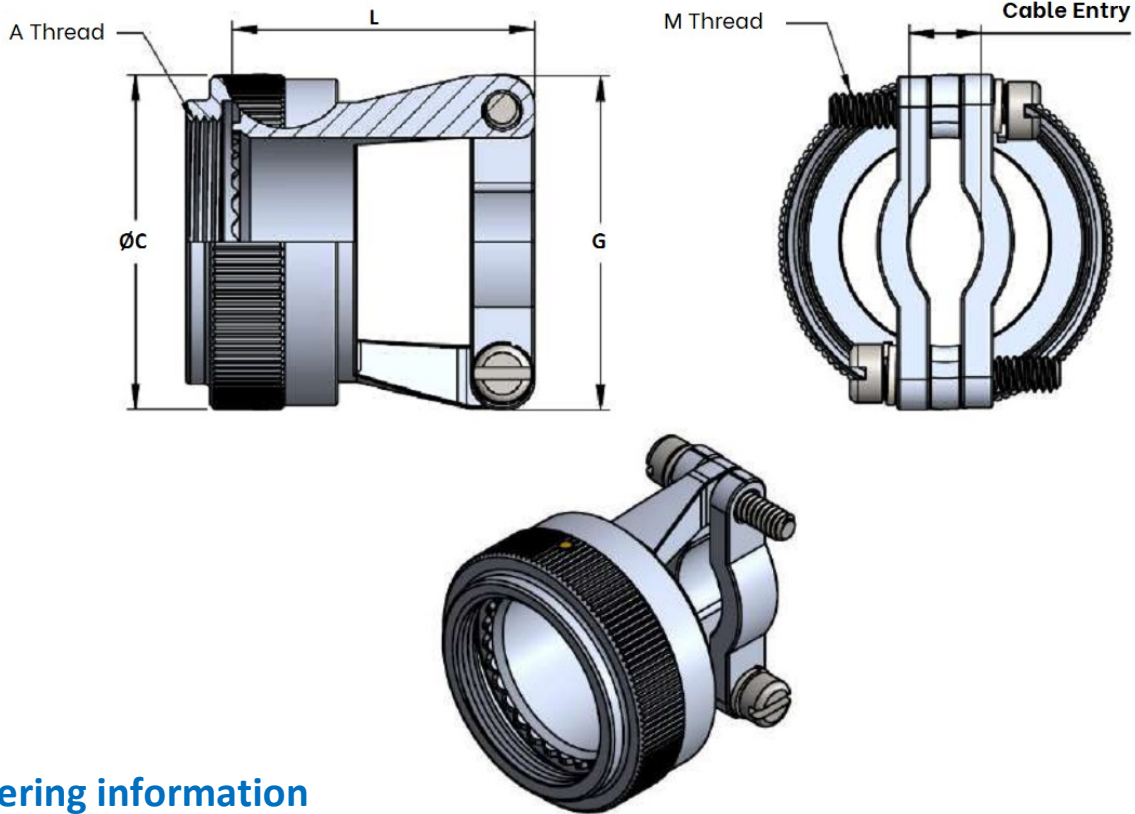
Dimensions

Shell Size	A Thread	Ø C MAX		Cable Entry Code		
09	M12 x 1.0	19.00		03 – 04		
11	M15 x 1.0	21.80		03 – 06		
13	M18 x 1.0	25.40		03 – 08		
15	M22 x 1.0	29.30		03 – 09		
17	M25 x 1.0	32.00		03 – 11		
19	M28 x 1.0	35.40		03 – 13		
21	M31 x 1.0	39.30		03 – 15		
23	M34 x 1.0	41.55		03 – 17		
25	M37 x 1.0	46.12		03 – 18		
Shell Size	E MAX	F MAX	G MAX	H MAX	J MAX	N MAX
09	14.10	18.10	27.70	25.00	17.40	25.00
11	14.90	19.20	28.70	26.70	18.80	26.70
13	15.50	19.60	33.20	28.20	20.60	28.20
15	16.50	20.50	39.20	29.70	22.70	29.70
17	17.10	21.30	42.20	31.40	24.30	31.40
19	17.80	21.80	46.70	33.00	26.40	33.00
21	18.10	22.70	49.70	34.60	27.10	34.60
23	18.70	23.00	52.20	36.10	28.60	36.10
25	19.40	23.90	53.70	37.60	30.10	37.60

Cable Entry Code	Ø K +0.20	Ø M MAX	Cable Entry Code	Ø K +0.20	Ø M MAX
03	4.70	12.40	11	17.40	25.10
04	6.30	14.00	12	19.00	26.70
05	7.90	15.60	13	20.60	28.30
06	9.50	17.20	14	22.20	29.90
07	11.10	18.80	15	23.80	31.50
08	12.70	20.40	16	25.40	33.10
09	14.20	21.90	17	27.00	34.70
10	15.80	23.50	18	28.60	36.30

Series ALSB

Straight Strain Reliefs, spin coupling. M85049/124



Ordering information

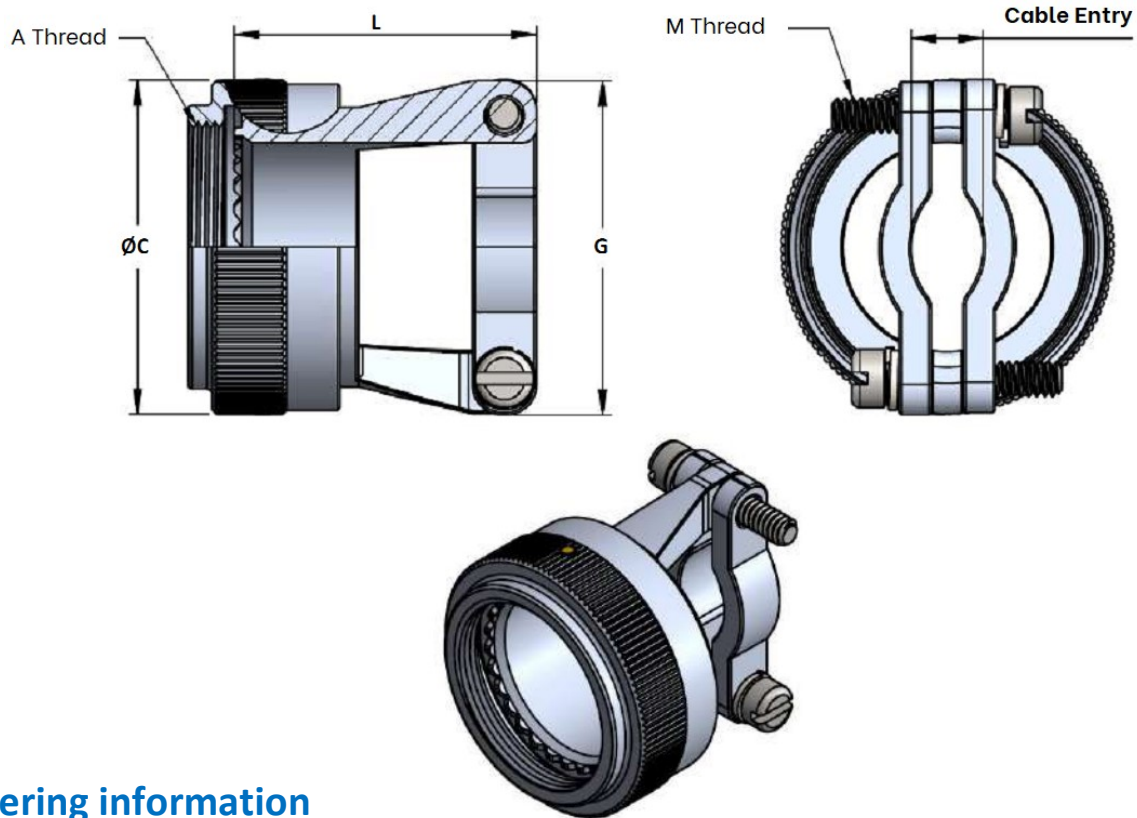
Basic Series	ALSB	-H	3	S	-17
Connector Interface:					
H – MIL-DTL-38999 (series 3 & 4)					
Coupling Ring Option:					
3 – spin coupling					
Material & Finish Code					
Shell Size					

Dimensions

Shell Size	A Thread	Ø C MAX	Cable Entry	L MAX	G MAX	M Thread
09	M12 x 1.0	19.00	2.49 – 5.94	21.80	21.60	6-32
11	M15 x 1.0	21.80	3.89 – 5.94	21.80	22.90	6-32
13	M18 x 1.0	25.40	4.83 – 8.33	23.00	27.90	6-32
15	M22 x 1.0	29.30	6.60 – 11.61	23.00	29.20	6-32
17	M25 x 1.0	32.00	7.19 – 15.60	25.00	33.00	6-32
19	M28 x 1.0	35.40	8.26 – 16.10	28.00	38.10	8-32
21	M31 x 1.0	39.30	8.71 – 17.73	29.50	40.60	8-32
23	M34 x 1.0	41.55	9.68 – 20.90	33.00	43.20	8-32
25	M37 x 1.0	46.12	10.62 – 21.67	36.00	45.70	8-32

Series ALSB

Straight Strain Reliefs, self locking coupling. M85049/124



Ordering information

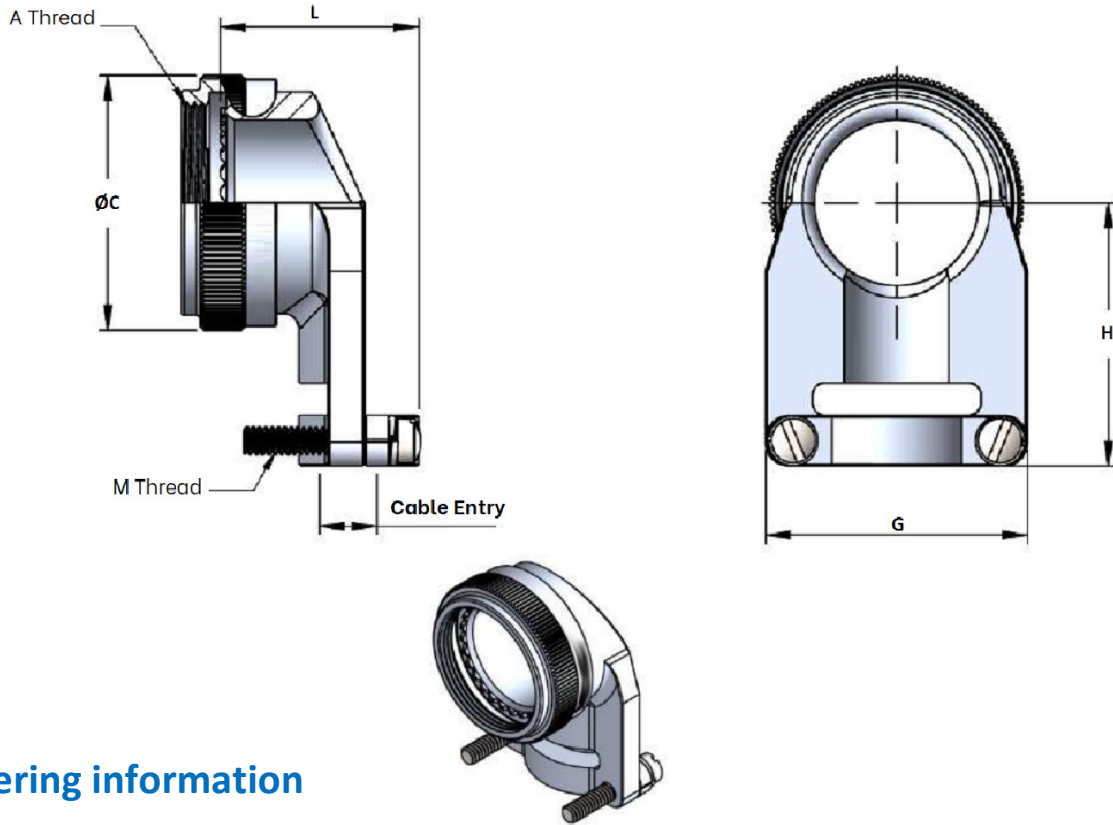
Basic Series	ALSB	-H	5	S	-17
Connector Interface:					
H – MIL-DTL-38999 (series 3 & 4)					
Coupling Ring Option:					
5 – self locking coupling					
Material & Finish Code					
Shell Size					

Dimensions

Shell Size	A Thread	Ø C MAX	Cable Entry	L MAX	G MAX	M Thread
09	M12 x 1.0	21.50	2.49 – 5.94	23.50	21.60	6-32
11	M15 x 1.0	24.65	3.89 – 5.94	23.50	22.90	6-32
13	M18 x 1.0	28.10	4.83 – 8.33	26.20	27.90	6-32
15	M22 x 1.0	31.50	6.60 – 11.61	27.70	29.20	6-32
17	M25 x 1.0	34.50	7.19 – 15.60	30.00	33.00	6-32
19	M28 x 1.0	37.50	8.26 – 16.10	33.50	38.10	8-32
21	M31 x 1.0	40.50	8.71 – 17.73	35.00	40.60	8-32
23	M34 x 1.0	43.50	9.68 – 20.90	38.00	43.20	8-32
25	M37 x 1.0	47.50	10.62 – 21.67	40.50	45.70	8-32

Series ALAB

90° Strain Reliefs, spin coupling. M85049/126



Ordering information

Basic Series	ALAB	-H	3	S	-17
Connector Interface:					
H – MIL-DTL-38999 (series 3 & 4)					
Coupling Ring Option:					
3 – spin coupling					
Material & Finish Code					
Shell Size					

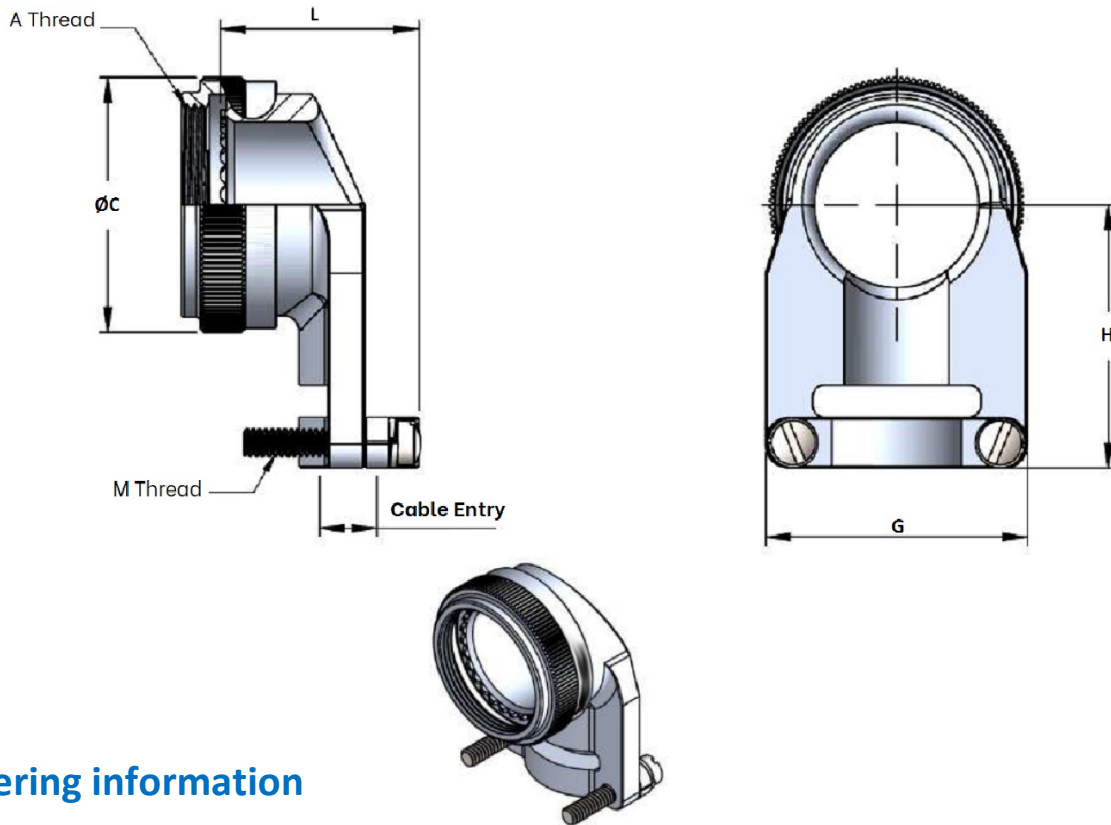
Dimensions

Shell Size	A Thread	Ø C MAX	Cable Entry	L MAX	G MAX	H MAX	M Thread
09	M12 x 1.0	19.00	2.49 – 5.94	25.70	21.60	25.40	6-32
11	M15 x 1.0	21.80	3.89 – 5.94	25.70	22.90	27.90	6-32
13	M18 x 1.0	25.40	4.83 – 8.33	30.70	27.90	27.90	6-32
15	M22 x 1.0	29.30	6.60 – 11.61	32.00	29.20	31.80	6-32
17	M25 x 1.0	32.00	7.19 – 15.60	35.80	33.00	33.00	6-32
19	M28 x 1.0	35.40	8.26 – 16.10	38.40	38.10	34.30	8-32
21	M31 x 1.0	39.30	8.71 – 17.73	42.20	40.60	40.60	8-32
23	M34 x 1.0	41.55	9.68 – 20.90	44.70	43.20	44.50	8-32
25	M37 x 1.0	46.12	10.62 – 21.67	48.50	45.70	47.00	8-32



Series ALAB

90° Strain Reliefs, self locking coupling. M85049/126



Ordering information

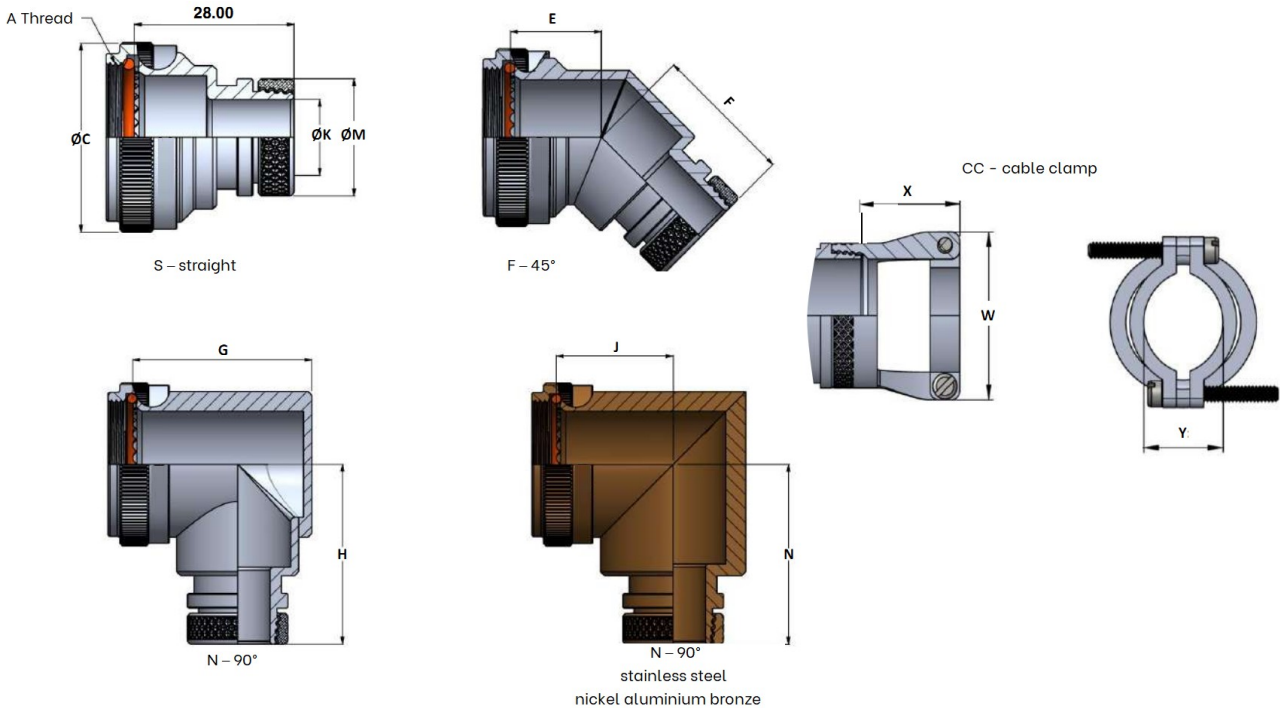
Basic Series	ALAB	-H	5	S	-17
Connector Interface:					
H – MIL-DTL-38999 (series 3 & 4)					
Coupling Ring Option:					
5 – self locking coupling					
Material & Finish Code					
Shell Size					

Dimensions

Shell Size	A Thread	Ø C MAX	Cable Entry	L MAX	G MAX	H MAX	M Thread
09	M12 x 1.0	21.50	2.49 – 5.94	25.70	21.60	25.40	6-32
11	M15 x 1.0	24.65	3.89 – 5.94	25.70	22.90	27.90	6-32
13	M18 x 1.0	28.10	4.83 – 8.33	30.70	27.90	27.90	6-32
15	M22 x 1.0	31.50	6.60 – 11.61	32.00	29.20	31.80	6-32
17	M25 x 1.0	34.50	7.19 – 15.60	35.80	33.00	33.00	6-32
19	M28 x 1.0	37.50	8.26 – 16.10	38.40	38.10	34.30	8-32
21	M31 x 1.0	40.50	8.71 – 17.73	42.20	40.60	40.60	8-32
23	M34 x 1.0	43.50	9.68 – 20.90	44.70	43.20	44.50	8-32
25	M37 x 1.0	47.50	10.62 – 21.67	48.50	45.70	47.00	8-32

Series ALLB

EMI/RFI lamp base thread shrink boot adapters, spin coupling



Ordering information

Basic Series	ALLB	-H	3	S	W	-19	07	-8	-CC
Connector Interface:									
H – MIL-DTL-38999 (series 3 & 4)									
Coupling Ring Option:									
3 – spin coupling									
Angle Code:									
S – straight									
F – 45°									
N – 90°									
Material & Finish Code									
Shell Size									
Cable Entry Code									
Length Code for Straight Parts:									
ST – for standard length (L) – 1.10"									
(1/2" increment, for example 8 = 4 inches)									
Cable Clamp Option:									
CC – Cable Clamp									
Omit – back nut									



Dimensions

Shell Size	A Thread	Ø C MAX	Cable Clamp			
			F MAX	H MAX	N MAX	
09	M12 x 1.0	19.00	25.00	31.50	34.70	
11	M15 x 1.0	21.80	25.80	33.20	36.50	
13	M18 x 1.0	25.40	26.10	34.70	38.00	
15	M22 x 1.0	29.30	27.00	36.20	39.50	
17	M25 x 1.0	32.00	27.90	37.90	41.20	
19	M28 x 1.0	35.40	28.40	39.50	42.80	
21	M31 x 1.0	39.30	29.20	41.10	44.40	
23	M34 x 1.0	41.55	29.60	42.60	45.90	
25	M37 x 1.0	46.12	30.40	44.10	47.40	
Shell Size	E MAX	G MAX	J MAX	Back Nut		
				F MAX	H MAX	N MAX
09	14.10	27.70	17.40	25.50	27.50	27.50
11	14.90	28.70	18.80	26.30	29.20	29.20
13	15.50	33.20	20.60	26.60	31.50	31.50
15	16.50	39.20	22.70	27.50	31.70	31.70
17	17.10	42.20	24.30	28.40	33.40	33.40
19	17.80	46.70	26.40	28.90	35.10	35.10
21	18.10	49.70	27.10	29.70	36.70	36.70
23	18.70	52.20	28.60	30.10	38.10	38.10
25	19.40	53.70	30.10	30.90	39.60	39.60



Dimensions

Shell Size	Cable Entry Code
09	03
11	03 – 07
13	03 – 08
15	03 – 08
17	03 – 10
19	03 – 12
21	03 – 14
23	03 – 16
25	03 – 18

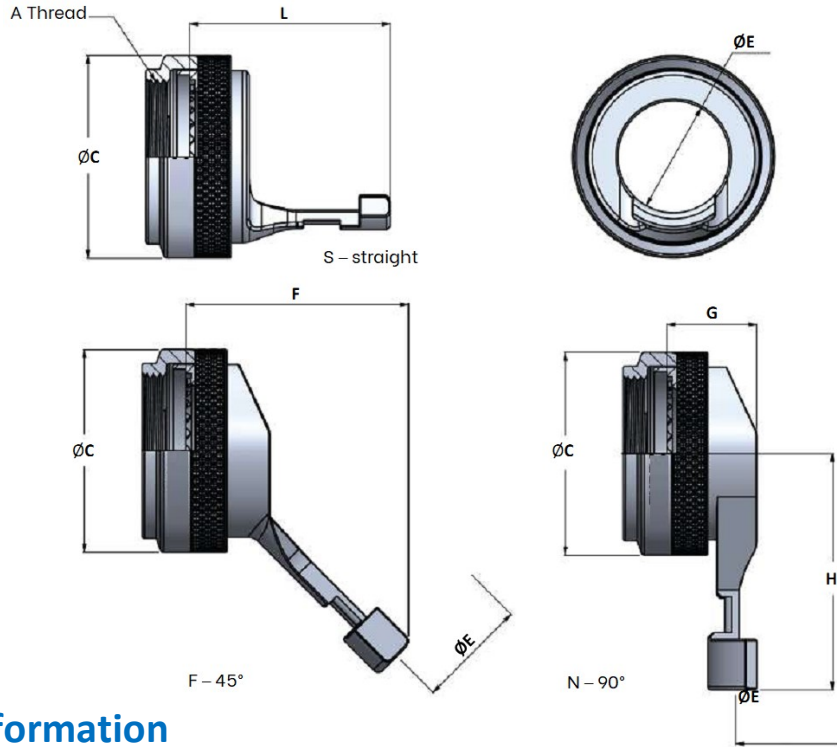
Cable Entry Code	Ø K +0.20	Ø M MAX	W MAX	X MAX	Y MAX
03	4.70	15.20	17.50	12.80	5.80
04	6.30	15.20	19.10	12.80	5.70
05	7.90	16.80	20.70	12.80	6.80
06	9.50	18.40	22.30	12.80	6.90
07	11.10	20.00	23.80	12.80	8.10
08	12.70	21.60	25.30	15.80	8.50
09	14.20	23.20	27.00	15.80	9.70
10	15.80	24.80	28.60	15.80	10.40
11	17.40	26.40	30.30	18.80	11.50
12	19.00	27.90	31.80	18.80	11.50
13	20.60	29.50	33.30	18.80	14.00
14	22.20	31.10	35.00	21.80	15.40
15	23.80	32.70	36.70	21.80	16.80
16	25.40	34.30	38.10	21.80	17.30
17	27.00	35.90	39.70	21.80	18.80
18	28.60	37.50	41.30	21.80	19.50



Series ALQT

Qwik-Ty Strain Reliefs, spin coupling

M85049/15 & M85049/16. Termination Band MS3367-1 (or equivalent)



Ordering information

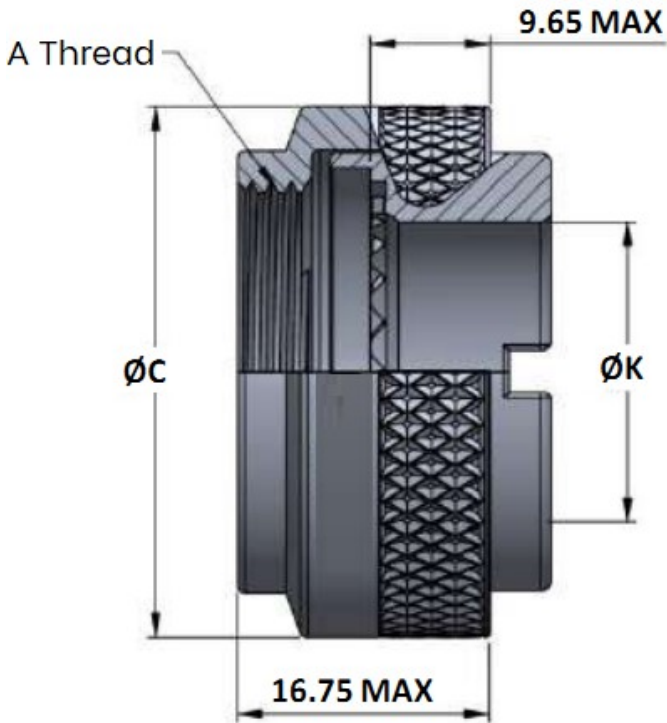
Basic Series	ALQT	-H	3	S	W	-19
Connector Interface:						
H – MIL-DTL-38999 (series 3 & 4)						
Coupling Ring Option:						
3 – spin coupling						
Angle Code:						
S – straight						
F – 45° (M85049/15)						
N – 90° (M85049/16)						
Material & Finish Code						
Shell Size						

Dimensions

Shell Size	A Thread	Ø C MAX	L MAX	F MAX	H MAX	Ø E +0.20
09	M12 x 1.0	19.00	22.80	27.90	22.60	6.40
11	M15 x 1.0	21.80	22.80	27.90	24.10	9.70
13	M18 x 1.0	25.40	24.30	27.90	27.20	12.70
15	M22 x 1.0	29.30	28.80	31.00	33.80	16.00
17	M25 x 1.0	32.00	28.80	31.90	35.30	19.10
19	M28 x 1.0	35.40	30.70	31.90	37.60	21.30
21	M31 x 1.0	39.30	34.00	31.90	42.20	24.60
23	M34 x 1.0	41.55	37.00	31.90	47.00	27.70
25	M37 x 1.0	46.12	40.30	31.90	48.50	31.00

Series ALBN

Back Nuts, spin coupling. M85049/14



Ordering information

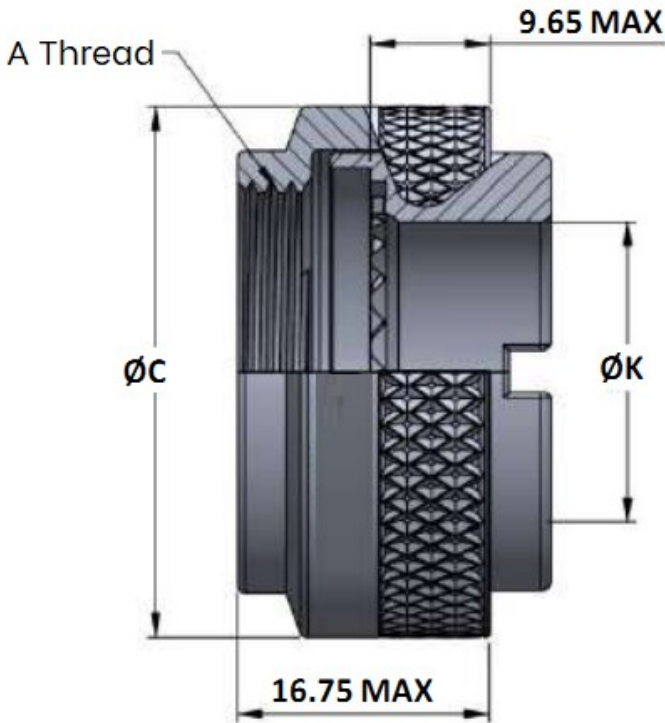
Basic Series	ALBN	-H	3	S	W	-19
Connector Interface:						
H – MIL-DTL-38999 (series 3 & 4)						
Coupling Ring Option:						
3 – spin coupling						
Angle Code:						
S – straight						
Material & Finish Code						
Shell Size						

Dimensions

Shell Size	A Thread	Ø C MAX	Ø K MAX
09	M12 x 1.0	19.00	6.75
11	M15 x 1.0	21.80	9.90
13	M18 x 1.0	25.40	12.80
15	M22 x 1.0	29.30	15.98
17	M25 x 1.0	32.00	19.15
19	M28 x 1.0	35.40	21.45
21	M31 x 1.0	39.30	24.65
23	M34 x 1.0	41.55	27.75
25	M37 x 1.0	46.12	30.95

Series ALBN

Back Nuts, self locking coupling. M85049/14



Ordering information

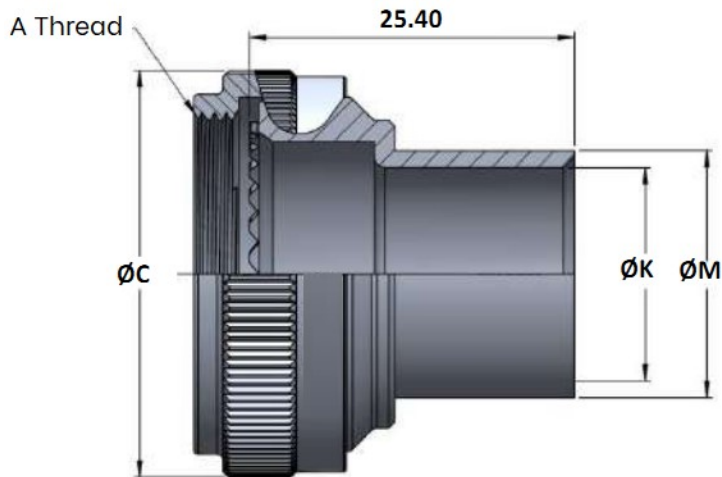
Basic Series	ALBN	-H	3	S	W	-19
Connector Interface:						
H – MIL-DTL-38999 (series 3 & 4)						
Coupling Ring Option:						
5 – self locking coupling						
Angle Code:						
S – straight						
Material & Finish Code						
Shell Size						

Dimensions

Shell Size	A Thread	Ø C MAX	Ø K MAX
09	M12 x 1.0	21.50	6.75
11	M15 x 1.0	24.65	9.90
13	M18 x 1.0	28.10	12.80
15	M22 x 1.0	31.50	15.98
17	M25 x 1.0	34.50	19.15
19	M28 x 1.0	37.50	21.45
21	M31 x 1.0	40.50	24.65
23	M34 x 1.0	43.50	27.75
25	M37 x 1.0	47.50	30.95

Series ALCR

Crimp ring backshells, spin coupling. M85049/20



Ordering information

Basic Series	ALBN	-H	3	W	-15
Connector Interface: H – MIL-DTL-38999 (series 3 & 4)					
Coupling Ring Option: 3 – spin coupling					
Material & Finish Code					
Shell Size					

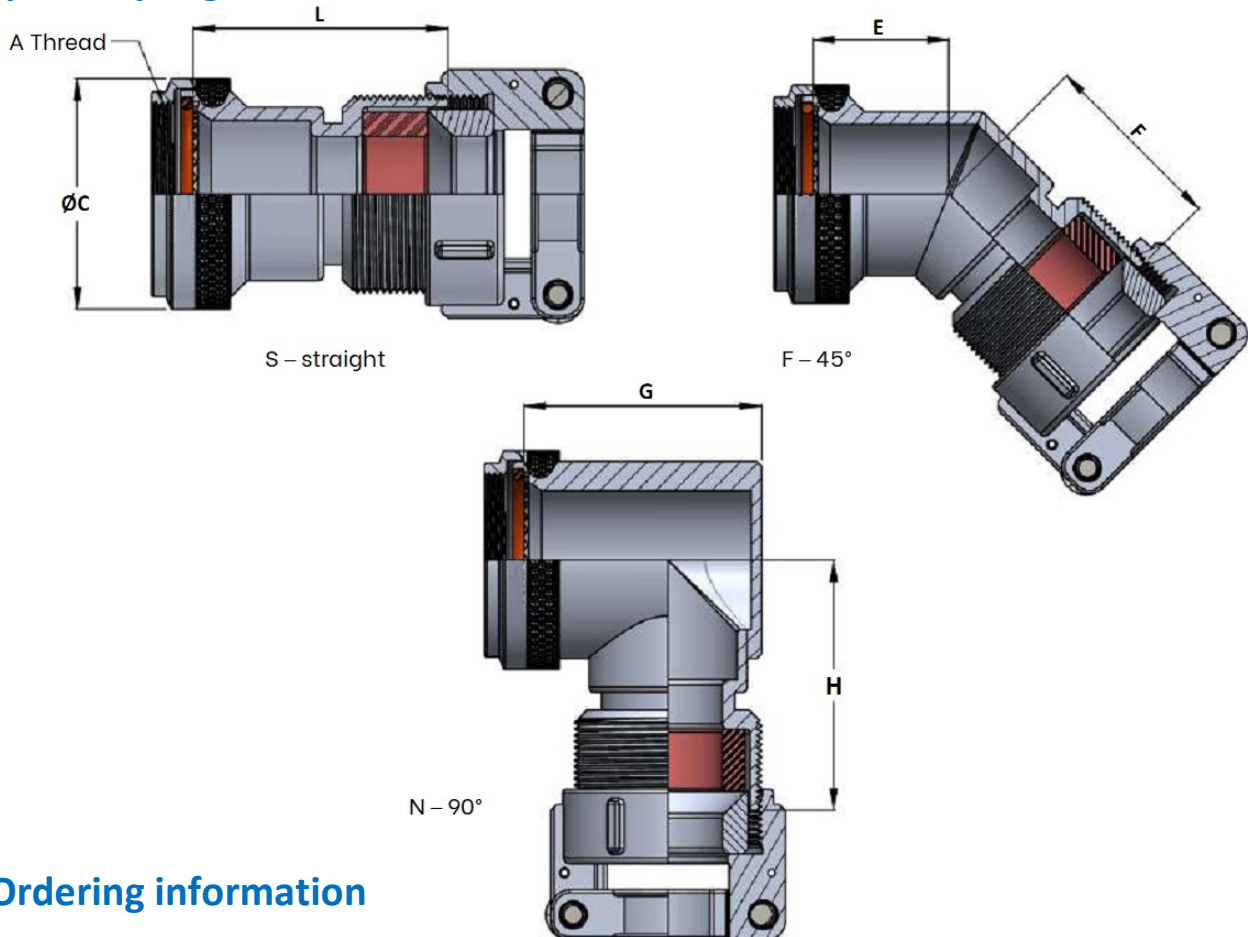
Dimensions

Shell Size	A Thread	Ø C MAX	Ø K MAX	Ø M MAX
09	M12 x 1.0	19.00	6.40	8.80
11	M15 x 1.0	21.80	8.30	12.60
13	M18 x 1.0	25.40	10.70	13.00
15	M22 x 1.0	29.30	13.70	16.00
17	M25 x 1.0	32.00	17.00	19.30
19	M28 x 1.0	35.40	20.00	22.60
21	M31 x 1.0	39.30	23.20	25.70
23	M34 x 1.0	41.55	26.40	28.70
25	M37 x 1.0	46.12	28.20	30.50



Series ALCCB-01

Submersible backshells with strain relief, environmental, non screened spin coupling

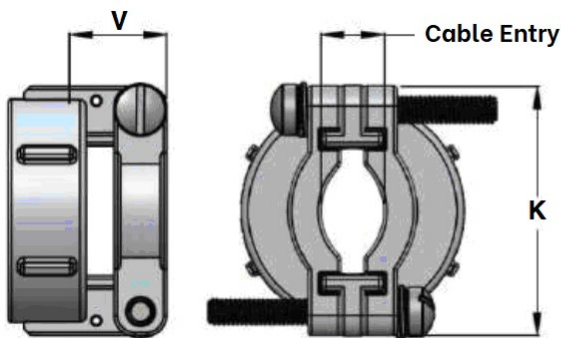


Ordering information

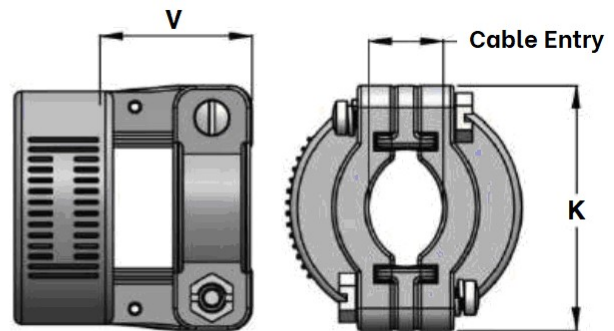
Basic Series	ALCCB-01	-H	3	S	W	-19	07	-A	-6
Connector Interface:									
H – MIL-DTL-38999 (series 3 & 4)									
Coupling Ring Option:									
3 – spin coupling									
Angle Code:									
S – straight									
F – 45°									
N – 90°									
Material & Finish Code									
Shell Size									
Cable Entry Code									
Cable Clamp Type:									
A – MS3057A									
D – MS3057D									
Length Code for Straight Parts:									
ST – for standard length (L) – 1.50"									
(1/2" increment, for example 8 = 4 inches)									

Dimensions

Shell Size	A Thread	Ø C MAX	E MAX	F MAX	G MAX	H MAX	Cable Entry Code
09	M12 x 1.0	19.00	14.10	35.80	27.70	36.10	03 – 05
11	M15 x 1.0	21.80	14.90	37.30	28.70	39.10	03 – 05
13	M18 x 1.0	25.40	15.50	38.90	33.20	39.60	03 – 07
15	M22 x 1.0	29.30	16.50	41.10	39.20	41.40	03 – 10
17	M25 x 1.0	32.00	17.10	43.90	42.20	48.00	03 – 12
19	M28 x 1.0	35.40	17.80	48.80	46.70	50.80	03 – 12
21	M31 x 1.0	39.30	18.10	50.10	49.70	50.80	03 – 16
23	M34 x 1.0	41.55	18.70	52.60	52.20	50.80	03 – 16
25	M37 x 1.0	46.12	19.40	54.00	53.70	50.80	03 – 20



Cable Clamp Type MS3057A



Cable Clamp Type MS3057D

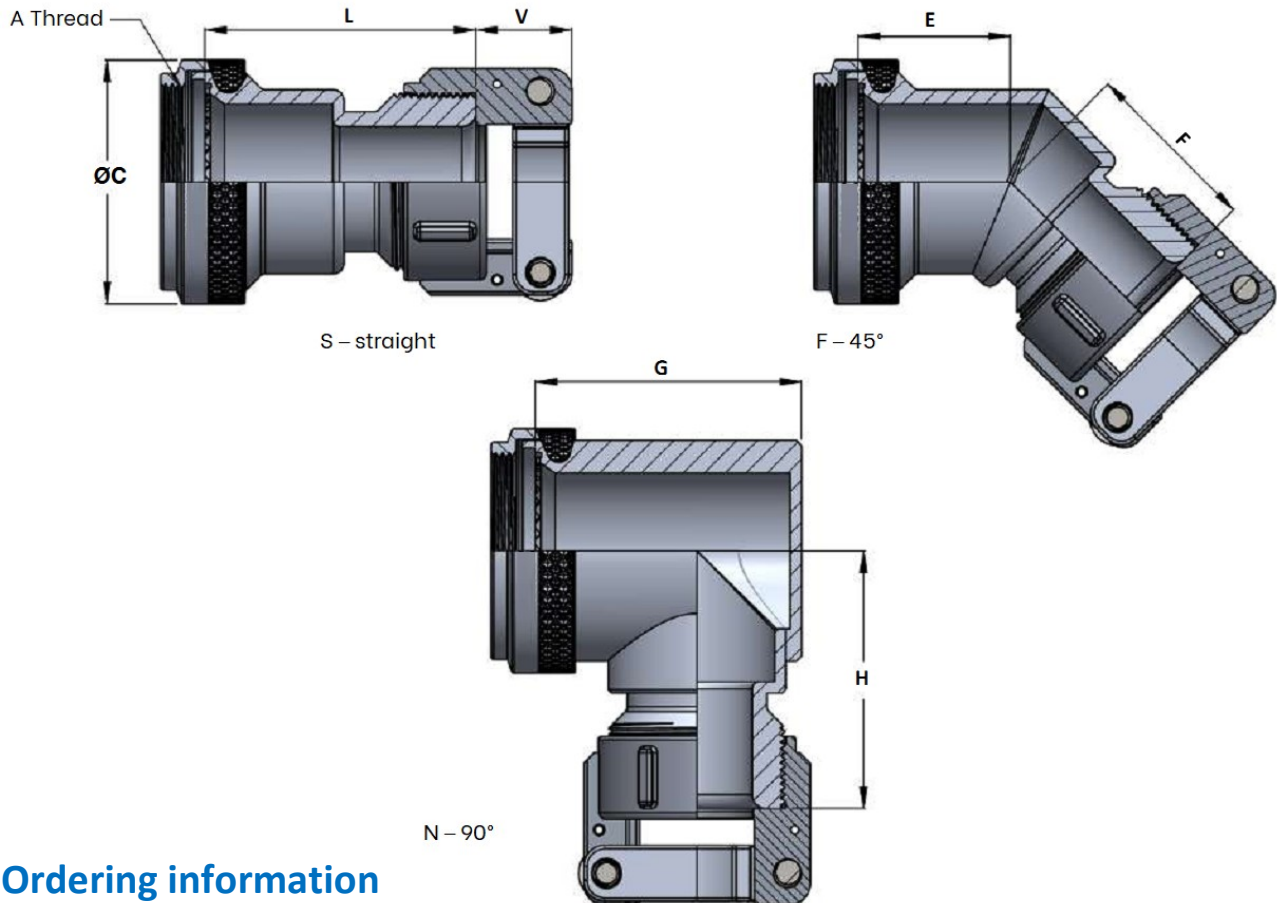
Cable Entry Code	Cable Entry MAX	K MAX	V MAX
04	7.90	23.00	11.10
06	11.10	27.80	12.70
08	14.30	30.20	14.30
10	15.90	32.60	14.30
12	19.10	38.10	14.30
16	23.80	43.70	16.70
20	31.80	52.40	16.70

Cable Entry Code	Cable Entry		K MAX	V MAX
	MIN	MAX		
04	3.20	7.90	24.30	19.80
06	6.40	11.10	29.10	19.80
08	9.80	14.30	33.80	19.80
10	8.90	15.90	33.80	19.80
12	12.70	19.10	39.40	20.60
16	15.90	23.80	45.00	23.00
20	22.20	31.80	53.70	27.70



Series ALCCB-02

Submersible backshells with strain relief, non environmental, non screened, spin coupling

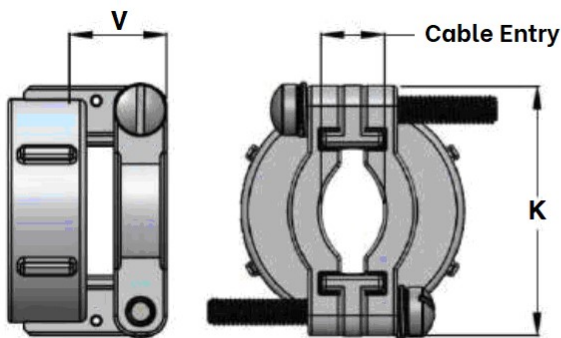


Ordering information

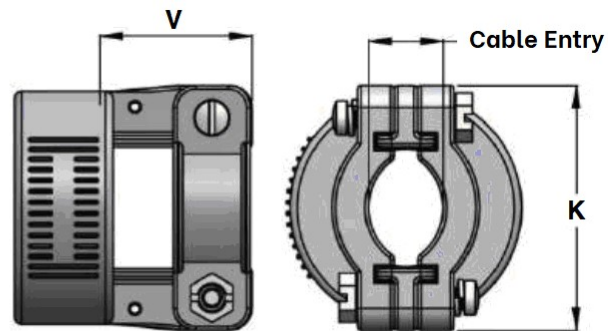
Basic Series	ALCCB-02	-H	3	S	W	-19	07	-A	-6
Connector Interface:									
H – MIL-DTL-38999 (series 3 & 4)									
Coupling Ring Option:									
3 – spin coupling									
Angle Code:									
S – straight									
F – 45°									
N – 90°									
Material & Finish Code									
Shell Size									
Cable Entry Code									
Cable Clamp Type:									
A – MS3057A									
D – MS3057D									
Length Code for Straight Parts:									
ST – for standard length (L) – 1.50"									
(1/2" increment, for example 8 = 4 inches)									

Dimensions

Shell Size	A Thread	Ø C MAX	E MAX	F MAX	G MAX	H MAX	Cable Entry Code
09	M12 x 1.0	19.00	14.10	22.40	27.70	29.70	03 – 05
11	M15 x 1.0	21.80	14.90	23.10	28.70	31.20	03 – 05
13	M18 x 1.0	25.40	15.50	23.60	33.20	32.80	03 – 07
15	M22 x 1.0	29.30	16.50	24.40	39.20	34.30	03 – 10
17	M25 x 1.0	32.00	17.10	24.90	42.20	36.10	03 – 12
19	M28 x 1.0	35.40	17.80	25.40	46.70	36.80	03 – 12
21	M31 x 1.0	39.30	18.10	25.90	49.70	38.40	03 – 16
23	M34 x 1.0	41.55	18.70	26.70	52.20	39.90	03 – 16
25	M37 x 1.0	46.12	19.40	27.20	53.70	41.40	03 – 20



Cable Clamp Type MS3057A



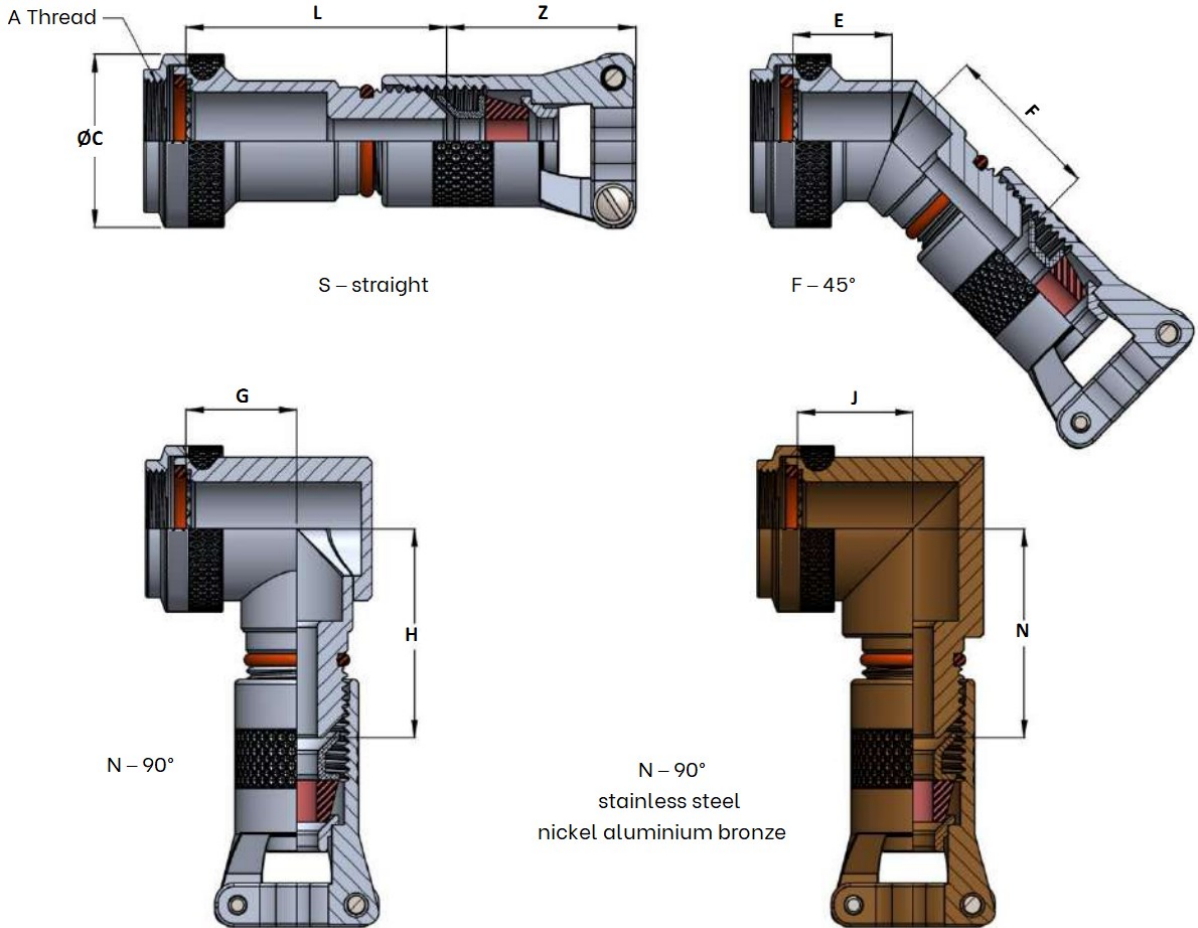
Cable Clamp Type MS3057D

Cable Entry Code	Cable Entry MAX	K MAX	V MAX
04	7.90	23.00	11.10
06	11.10	27.80	12.70
08	14.30	30.20	14.30
10	15.90	32.60	14.30
12	19.10	38.10	14.30
16	23.80	43.70	16.70
20	31.80	52.40	16.70

Cable Entry Code	Cable Entry		K MAX	V MAX
	MIN	MAX		
04	3.20	7.90	24.30	19.80
06	6.40	11.10	29.10	19.80
08	9.80	14.30	33.80	19.80
10	8.90	15.90	33.80	19.80
12	12.70	19.10	39.40	20.60
16	15.90	23.80	45.00	23.00
20	22.20	31.80	53.70	27.70

Series ALCCB-03

EMI/RFI Submersible backshells with strain relief, environmental spin coupling



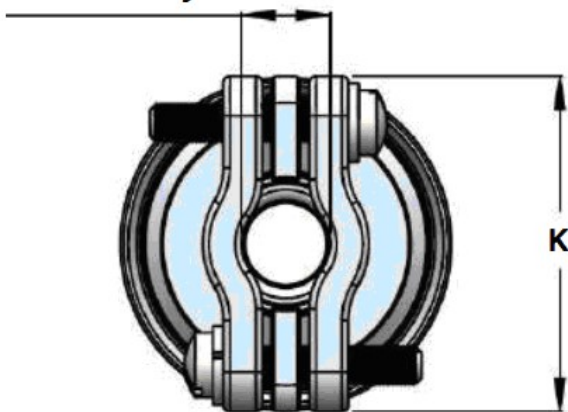
Ordering information

Basic Series	ALCCB-03	-H	3	S	W	-19	07	-L	-6
Connector Interface:									
H – MIL-DTL-38999 (series 3 & 4)									
Coupling Ring Option:									
3 – spin coupling									
Angle Code:									
S – straight									
F – 45°									
N – 90°									
Material & Finish Code									
Shell Size									
Cable Entry Code									
Cable Clamp Type:									
L – Cable Clamp									
E – Back Nut									
Length Code for Straight Parts:									
ST – for standard length (L) – 1.75"									
(1/2" increment, for example 8 = 4 inches)									

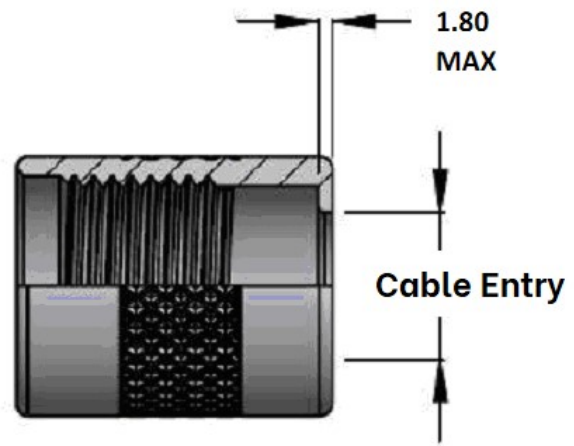
Dimensions

Shell Size	A Thread	Ø C MAX	E MAX	F MAX	G MAX	H MAX	J MAX	N MAX	Cable Entry Code
09	M12 x 1.0	19.00	14.10	48.20	27.70	44.90	17.40	44.90	01 – 02
11	M15 x 1.0	21.80	14.90	49.80	28.70	44.90	18.80	44.90	02 – 04
13	M18 x 1.0	25.40	15.50	51.30	33.20	45.20	20.60	45.20	04 – 06
15	M22 x 1.0	29.30	16.50	53.60	39.20	45.20	22.70	45.20	04 – 08
17	M25 x 1.0	32.00	17.10	56.40	42.20	46.20	24.30	46.20	04 – 10
19	M28 x 1.0	35.40	17.80	62.20	46.70	49.30	26.40	49.30	04 – 16
21	M31 x 1.0	39.30	18.10	61.20	49.70	47.50	27.10	47.50	04 – 16
23	M34 x 1.0	41.55	18.70	65.00	52.20	49.00	28.60	49.00	04 – 16
25	M37 x 1.0	46.12	19.40	65.00	53.70	49.20	30.10	49.20	04 – 18

Cable Entry



Cable Clamp Type L



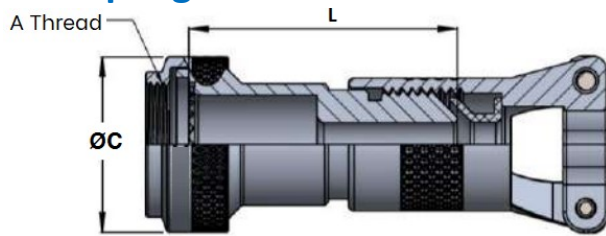
Back Nut Type E

Cable Entry Code	Cable Entry		Ø K MAX	Z MAX
	MIN	MAX		
01	1.60	3.20	19.80	29.50
02	3.20	6.40	24.60	29.50
04	6.40	9.50	27.00	29.50
06	7.90	12.70	29.40	29.50
08	11.10	15.90	31.80	29.50
10	14.30	19.10	34.90	29.50
12	17.40	22.20	38.10	29.50
14	20.60	25.40	41.30	29.50
16	23.80	28.60	44.50	29.50
18	27.00	31.80	47.60	29.50

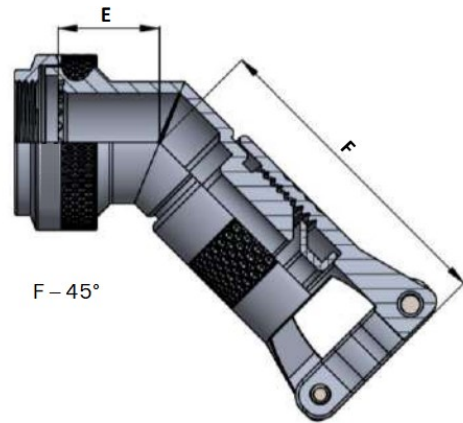


Series ALCCB-04

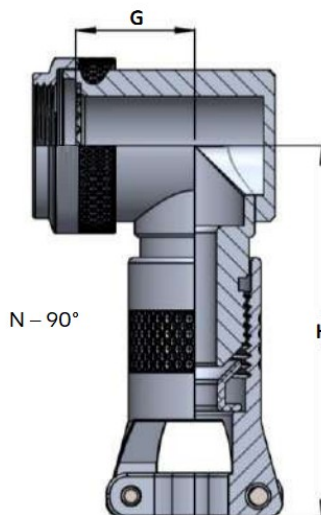
EMI/RFI Submersible backshells with strain relief, non environmental spin coupling



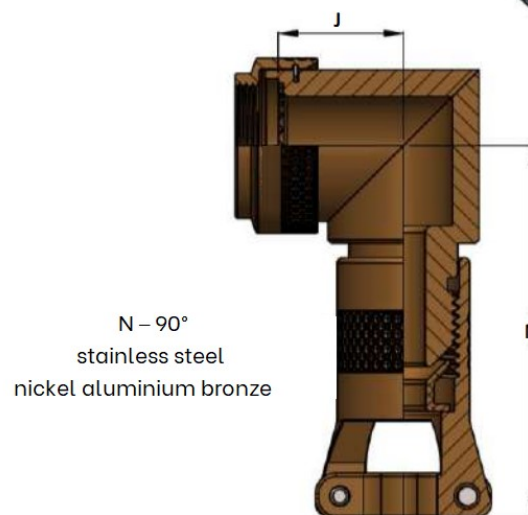
S – straight



F – 45°



N – 90°



N – 90°
stainless steel
nickel aluminium bronze

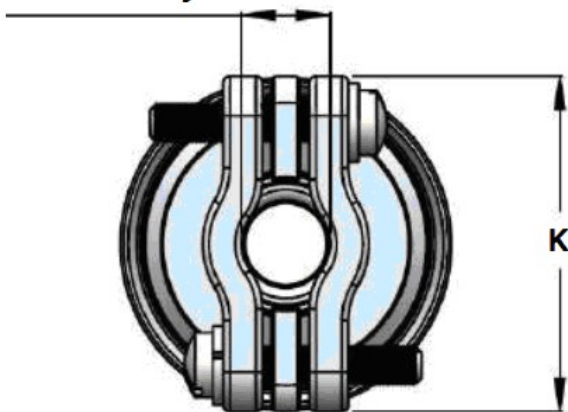
Ordering information

Basic Series	ALCCB-04	-H	3	S	W	-19	07	-L	-6
Connector Interface:									
H – MIL-DTL-38999 (series 3 & 4)									
Coupling Ring Option:									
3 – spin coupling									
Angle Code:									
S – straight									
F – 45°									
N – 90°									
Material & Finish Code									
Shell Size									
Cable Entry Code									
Cable Clamp Type:									
L – Cable Clamp									
E – Back Nut									
Length Code for Straight Parts:									
ST – for standard length (L) – 1.75"									
(1/2" increment, for example 8 = 4 inches)									

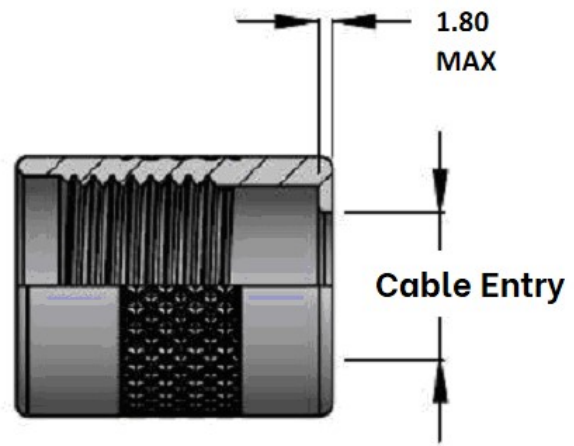
Dimensions

Shell Size	A Thread	Ø C MAX	E MAX	F MAX	G MAX	H MAX	J MAX	N MAX	Cable Entry Code
09	M12 x 1.0	19.00	14.10	80.01	27.70	87.88	17.40	19.00	01 – 02
11	M15 x 1.0	21.80	14.90	81.83	28.70	90.93	18.80	21.80	02 – 04
13	M18 x 1.0	25.40	15.50	83.06	33.20	91.44	20.60	25.40	04 – 06
15	M22 x 1.0	29.30	16.50	85.34	39.20	93.22	22.70	29.30	04 – 08
17	M25 x 1.0	32.00	17.10	88.14	42.20	95.50	24.30	32.00	04 – 10
19	M28 x 1.0	35.40	17.80	92.96	46.70	99.82	26.40	35.40	04 – 16
21	M31 x 1.0	39.30	18.10	92.96	49.70	99.82	27.10	39.30	04 – 16
23	M34 x 1.0	41.55	18.70	96.77	52.20	102.62	28.60	41.55	04 – 16
25	M37 x 1.0	46.12	19.40	96.77	53.70	102.62	30.10	46.12	04 – 18

Cable Entry



Cable Clamp Type L



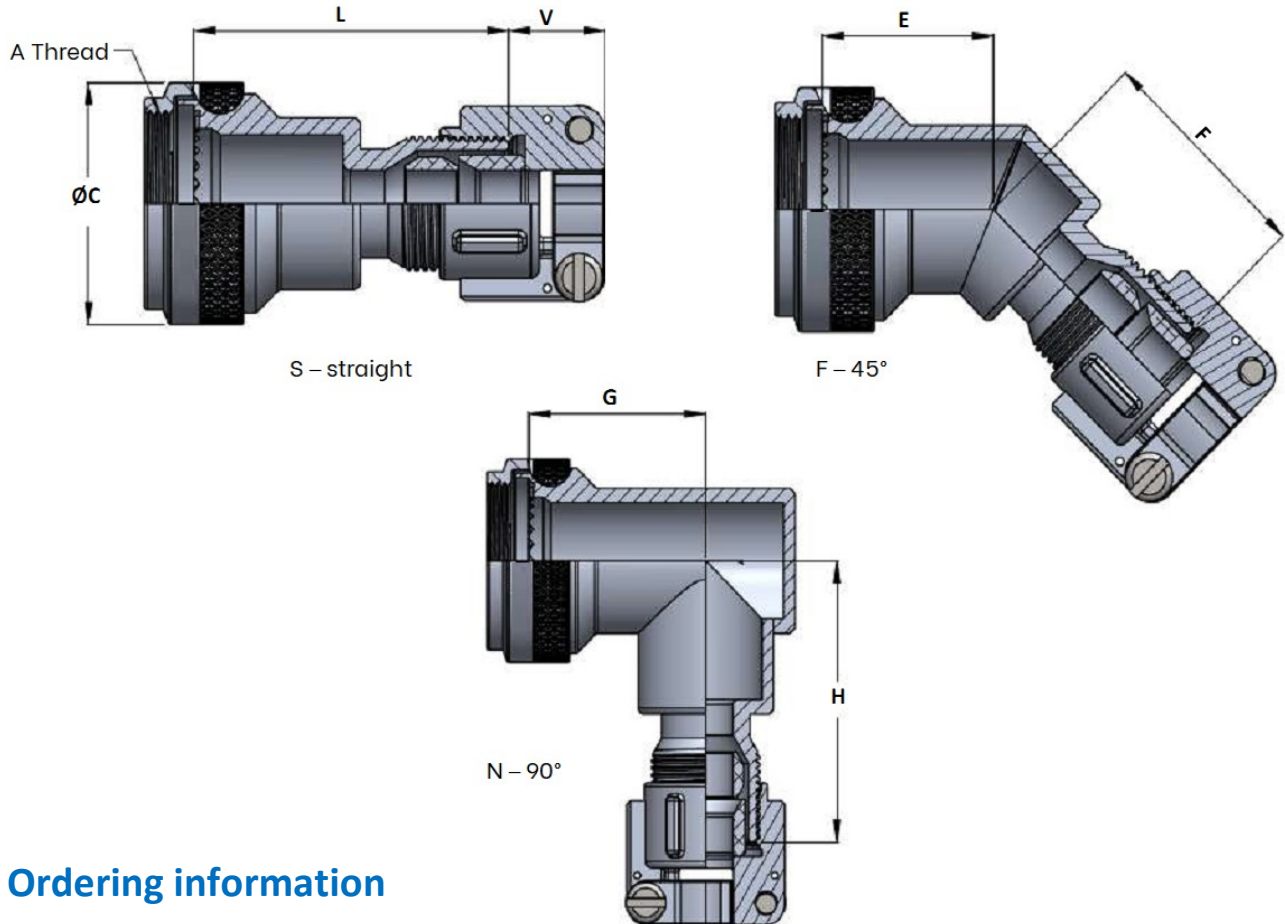
Back Nut Type E

Cable Entry Code	Cable Entry		Ø K MAX	Z MAX
	MIN	MAX		
01	1.60	3.20	19.80	29.50
02	3.20	6.40	24.60	29.50
04	6.40	9.50	27.00	29.50
06	7.90	12.70	29.40	29.50
08	11.10	15.90	31.80	29.50
10	14.30	19.10	34.90	29.50
12	17.40	22.20	38.10	29.50
14	20.60	25.40	41.30	29.50
16	23.80	28.60	44.50	29.50
18	27.00	31.80	47.60	29.50



Series ALCCB-06

EMI/RFI Submersible backshells with strain relief & cone clamp, non environmental, spin coupling

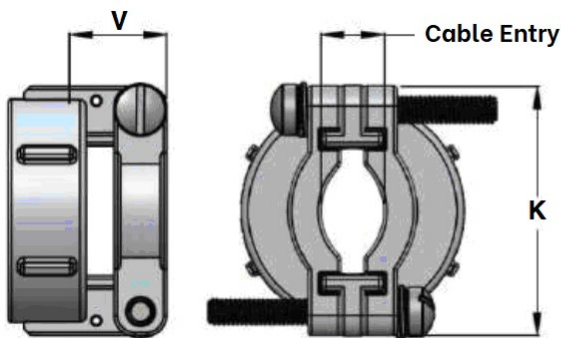


Ordering information

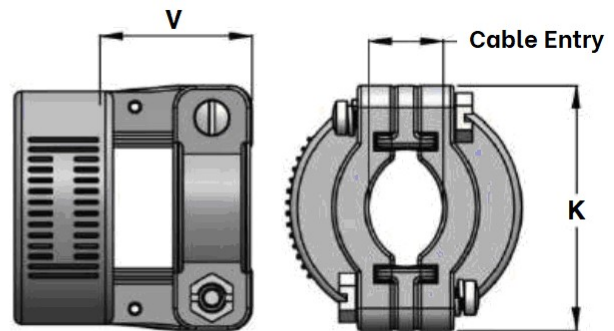
Basic Series	ALCCB-06	-H	3	S	W	-19	07	-A	-6
Connector Interface:									
H – MIL-DTL-38999 (series 3 & 4)									
Coupling Ring Option:									
3 – spin coupling									
Angle Code:									
S – straight									
F – 45°									
N – 90°									
Material & Finish Code									
Shell Size									
Cable Entry Code									
Cable Clamp Type:									
A – MS3057A									
D – MS3057D									
Length Code for Straight Parts:									
ST – for standard length (L) – 1.50"									
(1/2" increment, for example 8 = 4 inches)									

Dimensions

Shell Size	A Thread	Ø C MAX	E MAX	F MAX	G MAX	H MAX	Cable Entry Code
09	M12 x 1.0	19.00	24.60	22.20	32.50	30.20	03 – 05
11	M15 x 1.0	21.80	26.20	23.80	35.70	33.30	03 – 05
13	M18 x 1.0	25.40	27.80	25.40	38.90	36.50	03 – 07
15	M22 x 1.0	29.30	29.40	27.00	42.10	39.70	03 – 10
17	M25 x 1.0	32.00	31.00	28.60	45.20	42.90	03 – 12
19	M28 x 1.0	35.40	31.80	29.40	48.40	46.00	03 – 12
21	M31 x 1.0	39.30	33.30	31.00	51.60	49.20	03 – 16
23	M34 x 1.0	41.55	34.10	31.80	54.80	52.40	03 – 16
25	M37 x 1.0	46.12	35.70	33.30	57.90	55.60	03 – 20



Cable Clamp Type MS3057A



Cable Clamp Type MS3057D

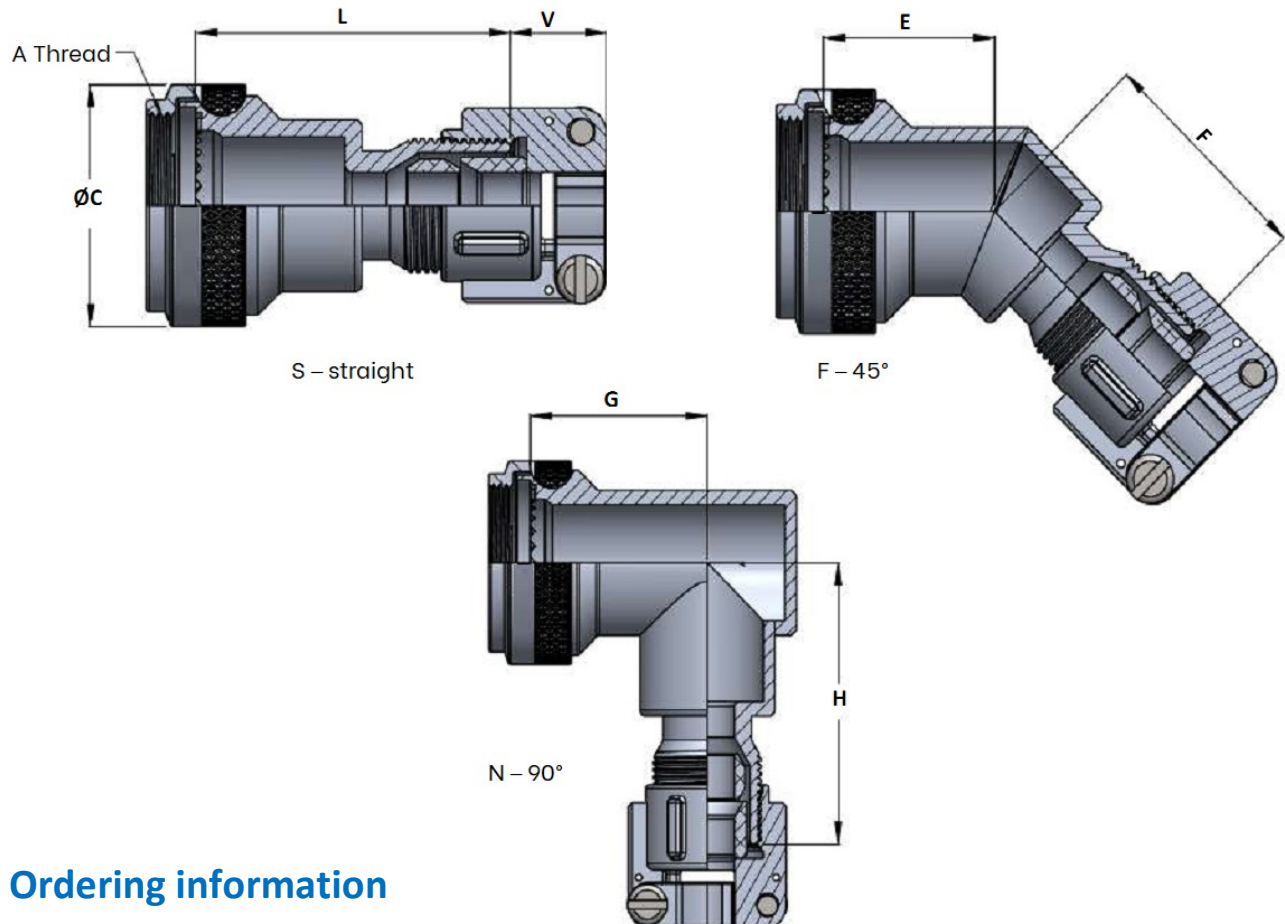
Cable Entry Code	Cable Entry MAX	K MAX	V MAX
04	7.90	23.00	11.10
06	11.10	27.80	12.70
08	14.30	30.20	14.30
10	15.90	32.60	14.30
12	19.10	38.10	14.30
16	23.80	43.70	16.70
20	31.80	52.40	16.70

Cable Entry Code	Cable Entry		K MAX	V MAX
	MIN	MAX		
04	3.20	7.90	24.30	19.80
06	6.40	11.10	29.10	19.80
08	9.80	14.30	33.80	19.80
10	8.90	15.90	33.80	19.80
12	12.70	19.10	39.40	20.60
16	15.90	23.80	45.00	23.00
20	22.20	31.80	53.70	27.70



Series ALCCB-06

Submersible backshells with strain relief & cone clamp, non environmental, non screened, self locking coupling

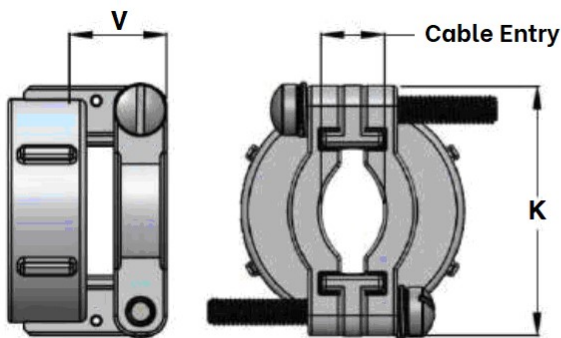


Ordering information

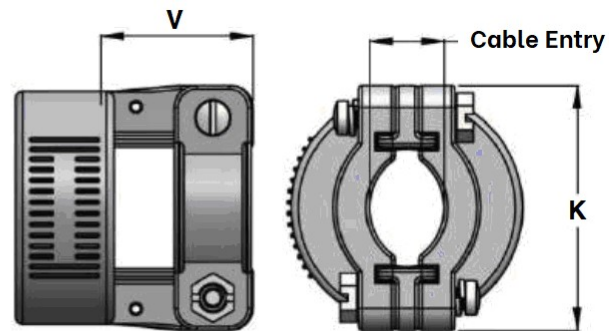
Basic Series	ALCCB-06	-H	5	S	W	-19	07	-A	-6
Connector Interface:									
H – MIL-DTL-38999 (series 3 & 4)									
Coupling Ring Option:									
5 – self locking coupling									
Angle Code:									
S – straight									
F – 45°									
N – 90°									
Material & Finish Code									
Shell Size									
Cable Entry Code									
Cable Clamp Type:									
A – MS3057A									
D – MS3057D									
Length Code for Straight Parts:									
ST – for standard length (L) – 1.50"									
(1/2" increment, for example 8 = 4 inches)									

Dimensions

Shell Size	A Thread	Ø C MAX	E MAX	F MAX	G MAX	H MAX	Cable Entry Code
09	M12 x 1.0	21.50	24.60	22.20	32.50	30.20	03 – 05
11	M15 x 1.0	24.65	26.20	23.80	35.70	33.30	03 – 05
13	M18 x 1.0	28.10	27.80	25.40	38.90	36.50	03 – 07
15	M22 x 1.0	31.50	29.40	27.00	42.10	39.70	03 – 10
17	M25 x 1.0	34.50	31.00	28.60	45.20	42.90	03 – 12
19	M28 x 1.0	37.50	31.80	29.40	48.40	46.00	03 – 12
21	M31 x 1.0	40.50	33.30	31.00	51.60	49.20	03 – 16
23	M34 x 1.0	43.50	34.10	31.80	54.80	52.40	03 – 16
25	M37 x 1.0	47.50	35.70	33.30	57.90	55.60	03 – 20



Cable Clamp Type MS3057A



Cable Clamp Type MS3057D

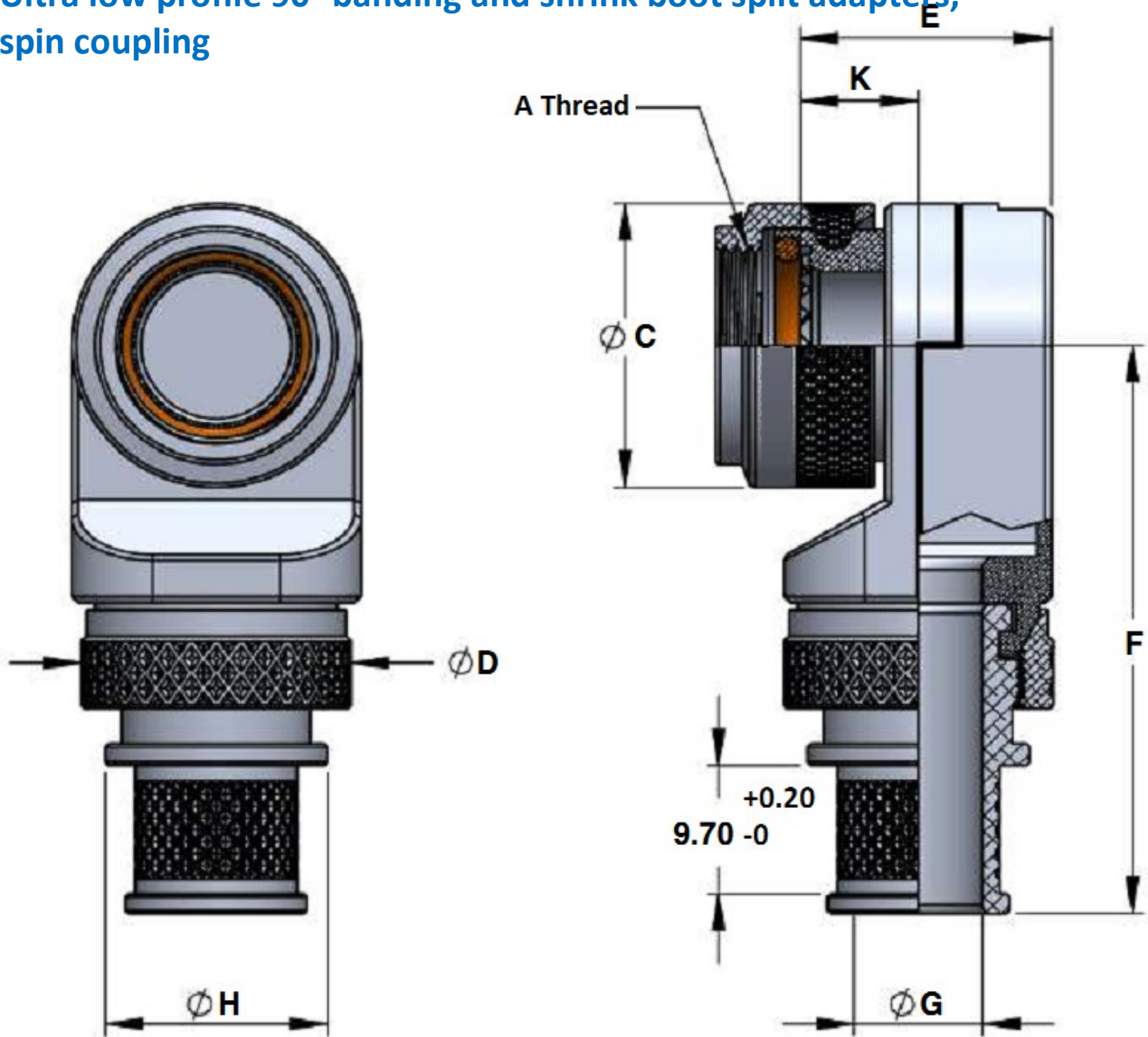
Cable Entry Code	Cable Entry MAX	K MAX	V MAX
04	7.90	23.00	11.10
06	11.10	27.80	12.70
08	14.30	30.20	14.30
10	15.90	32.60	14.30
12	19.10	38.10	14.30
16	23.80	43.70	16.70
20	31.80	52.40	16.70

Cable Entry Code	Cable Entry		K MAX	V MAX
	MIN	MAX		
04	3.20	7.90	24.30	19.80
06	6.40	11.10	29.10	19.80
08	9.80	14.30	33.80	19.80
10	8.90	15.90	33.80	19.80
12	12.70	19.10	39.40	20.60
16	15.90	23.80	45.00	23.00
20	22.20	31.80	53.70	27.70



Series ALUPB-01

Ultra low profile 90° banding and shrink boot split adapters, spin coupling



Ordering information

Basic Series	ALUPB-01	-H	3	W	-19	-08	-T
Connector Interface:							
H – MIL-DTL-38999 (series 3 & 4)							
Coupling Ring Option:							
3 – spin coupling							
Material & Finish Code							
Shell Size							
Cable Entry Code							
Banding Option:							
S – CF spring							
T – termination band							
Omit – for none							



Dimensions

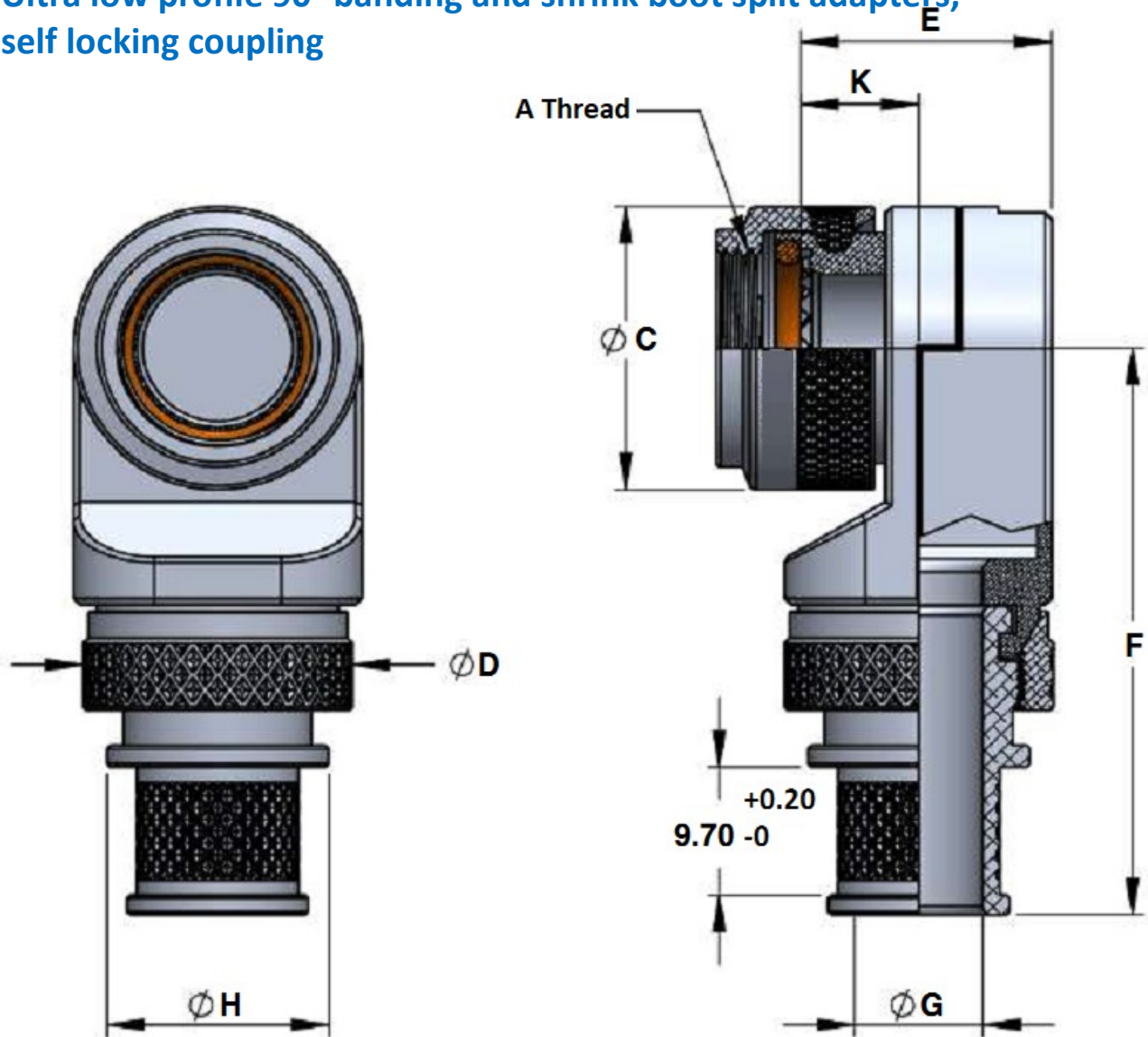
Shell Size	A Thread	Ø C MAX	K MAX	E MAX	F MAX	Ø D MAX	Cable Entry Code
09	M12 x 1.0	19.00	9.50	17.70	48.60	18.70	02 – 04
11	M15 x 1.0	21.80	9.50	19.00	52.70	21.70	02 – 06
13	M18 x 1.0	25.40	9.50	22.10	52.70	24.70	02 – 06
15	M22 x 1.0	29.30	10.50	22.10	58.80	24.70	02 – 08
17	M25 x 1.0	32.00	11.20	25.10	58.80	28.70	02 – 10
19	M28 x 1.0	35.40	17.00	30.00	61.50	28.70	02 – 10
21	M31 x 1.0	39.30	17.00	30.00	62.50	28.70	02 – 10
23	M34 x 1.0	41.55	16.10	33.50	65.00	31.70	02 – 12
25	M37 x 1.0	46.12	18.10	36.50	66.50	31.70	02 – 12

Cable Entry Code	Ø G +0.20	Ø H MAX
02	3.20	10.41
03	4.70	11.91
04	6.30	13.51
05	7.90	15.11
06	9.50	16.71
07	11.10	18.31
08	12.70	19.91
09	14.20	21.41
10	15.80	23.01
11	17.40	24.61
12	19.00	26.21



Series ALUPB-01

Ultra low profile 90° banding and shrink boot split adapters, self locking coupling



Ordering information

Basic Series	ALUPB-01	-H	5	W	-19	-08	-T
Connector Interface:							
H – MIL-DTL-38999 (series 3 & 4)							
Coupling Ring Option:							
5 – self locking coupling							
Material & Finish Code							
Shell Size							
Cable Entry Code							
Banding Option:							
S – CF spring							
T – termination band							
Omit – for none							



Dimensions

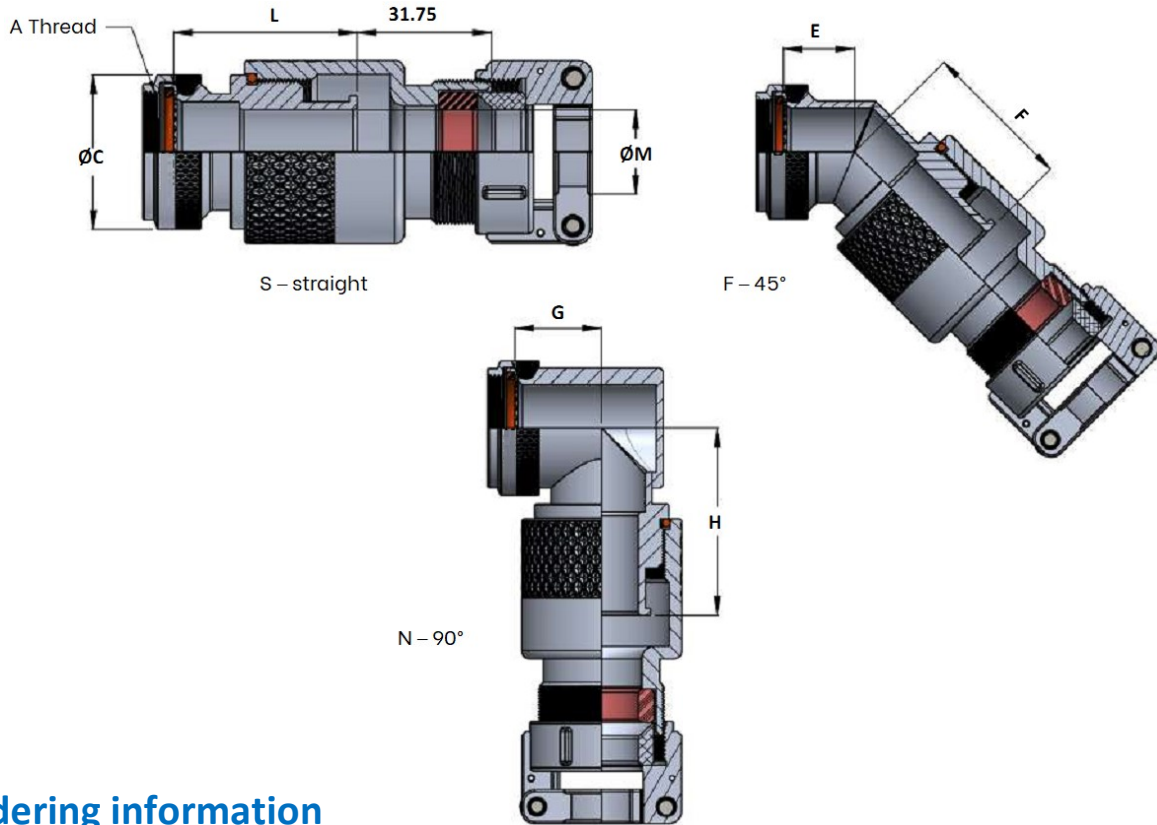
Shell Size	A Thread	Ø C MAX	K MAX	E MAX	F MAX	Ø D MAX	Cable Entry Code
09	M12 x 1.0	21.50	13.50	21.70	48.60	18.70	02 – 04
11	M15 x 1.0	24.65	13.50	23.00	52.70	21.70	02 – 06
13	M18 x 1.0	28.10	13.50	26.10	52.70	24.70	02 – 06
15	M22 x 1.0	31.50	14.50	26.10	58.80	24.70	02 – 08
17	M25 x 1.0	34.50	15.20	29.10	58.80	28.70	02 – 10
19	M28 x 1.0	37.50	21.00	34.00	61.50	28.70	02 – 10
21	M31 x 1.0	40.50	21.00	34.00	62.50	28.70	02 – 10
23	M34 x 1.0	43.50	20.10	37.50	65.00	31.70	02 – 12
25	M37 x 1.0	47.50	22.10	40.50	66.50	31.70	02 – 12

Cable Entry Code	Ø G +0.20	Ø H MAX
02	3.20	10.41
03	4.70	11.91
04	6.30	13.51
05	7.90	15.11
06	9.50	16.71
07	11.10	18.31
08	12.70	19.91
09	14.20	21.41
10	15.80	23.01
11	17.40	24.61
12	19.00	26.21



Series ALBCB-01

EMI/RFI Band-in-a-can with strain-relief, environmental spin coupling

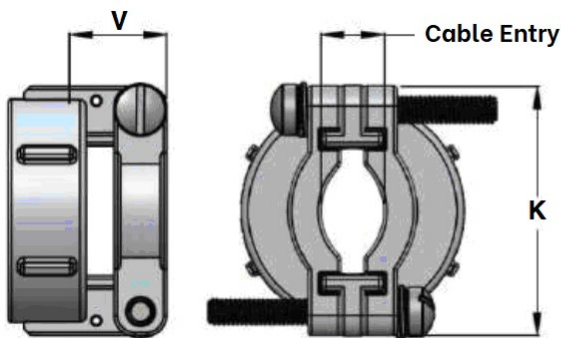


Ordering information

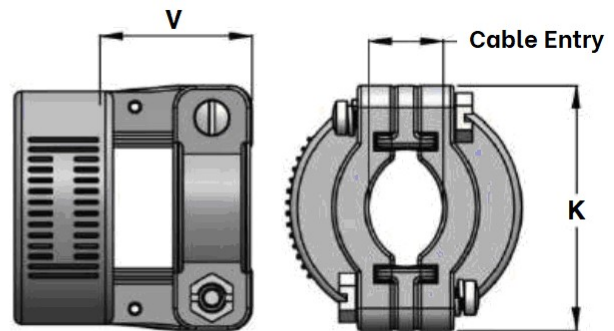
Basic Series	ALBCB-01	-H	3	S	W	-19	07	-A	-6	-T
Connector Interface:										
H – MIL-DTL-38999 (series 3 & 4)										
Coupling Ring Option:										
3 – spin coupling										
Angle Code:										
S – straight										
F – 45°										
N – 90°										
Material & Finish Code										
Shell Size										
Cable Entry Code										
Cable Clamp Type:										
A – MS3057A										
D – MS3057D										
Length Code for Straight Parts:										
ST – for standard length (L) – 2.00"										
(1/2" increment, for example 8 = 4 inches)										
Banding Option:										
S – CF spring										
T – termination band										
Omit – for none										

Dimensions

Shell Size	A Thread	Ø C MAX	E MAX	F MAX	G MAX	H MAX	Cable Entry Code
09	M12 x 1.0	19.00	20.00	35.10	23.00	38.10	03 – 05
11	M15 x 1.0	21.80	21.00	35.80	24.50	39.40	03 – 05
13	M18 x 1.0	25.40	21.50	36.30	26.10	40.90	03 – 07
15	M22 x 1.0	29.30	22.00	37.10	27.30	42.70	03 – 10
17	M25 x 1.0	32.00	23.00	37.60	28.90	44.20	03 – 12
19	M28 x 1.0	35.40	23.50	37.80	29.90	44.70	03 – 12
21	M31 x 1.0	39.30	24.00	38.40	31.40	46.20	03 – 16
23	M34 x 1.0	41.55	24.50	39.40	32.90	48.30	03 – 16
25	M37 x 1.0	46.12	25.00	40.10	34.40	50.00	03 – 20



Cable Clamp Type MS3057A



Cable Clamp Type MS3057D

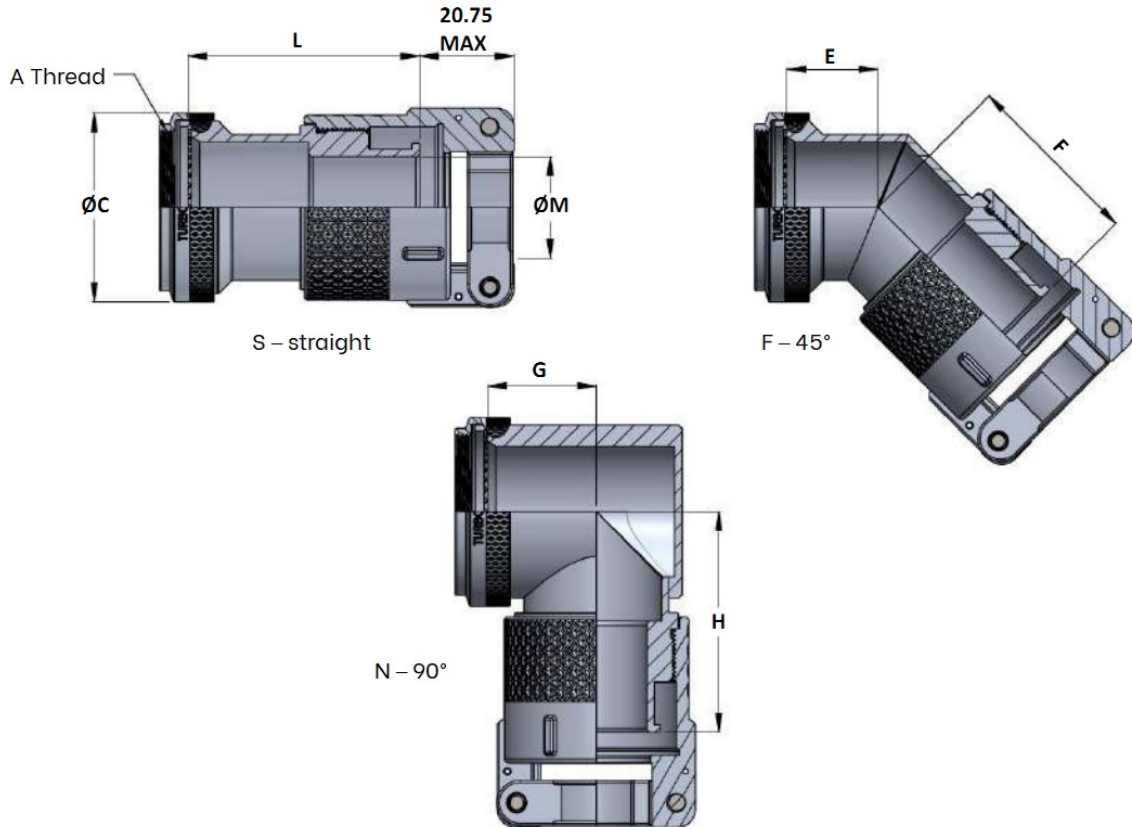
Cable Entry Code	Cable Entry MAX	K MAX	V MAX
04	7.90	23.00	11.10
06	11.10	27.80	12.70
08	14.30	30.20	14.30
10	15.90	32.60	14.30
12	19.10	38.10	14.30
16	23.80	43.70	16.70
20	31.80	52.40	16.70

Cable Entry Code	Cable Entry		K MAX	V MAX
	MIN	MAX		
04	3.20	7.90	24.30	19.80
06	6.40	11.10	29.10	19.80
08	9.80	14.30	33.80	19.80
10	8.90	15.90	33.80	19.80
12	12.70	19.10	39.40	20.60
16	15.90	23.80	45.00	23.00
20	22.20	31.80	53.70	27.70



Series ALBCB-02

EMI/RFI Band-in-a-can with strain-relief, non environmental, spin coupling

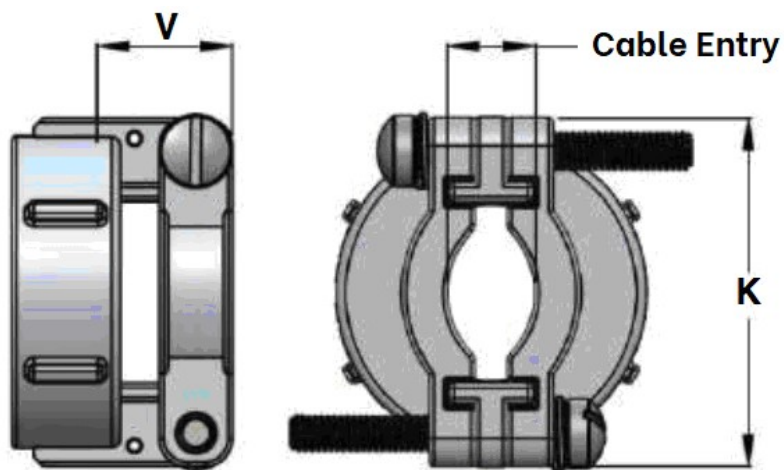


Ordering information

Basic Series	ALBCB-02	-H	3	S	W	-19	07	-A	-6	-T
Connector Interface:										
H – MIL-DTL-38999 (series 3 & 4)										
Coupling Ring Option:										
3 – spin coupling										
Angle Code:										
S – straight										
F – 45°										
N – 90°										
Material & Finish Code										
Shell Size										
Cable Entry Code										
Cable Clamp Type:										
A – MS3057A										
Length Code for Straight Parts:										
ST – for standard length (L) – 2.00"										
(1/2" increment, for example 8 = 4 inches)										
Banding Option:										
S – CF spring										
T – termination band										
Omit – for none										

Dimensions

Shell Size	A Thread	Ø C MAX	E MAX	F MAX	G MAX	H MAX	Cable Entry Code
09	M12 x 1.0	19.00	20.00	35.10	23.00	38.10	03 – 05
11	M15 x 1.0	21.80	21.00	35.80	24.50	39.40	03 – 05
13	M18 x 1.0	25.40	21.50	36.30	26.10	40.90	03 – 07
15	M22 x 1.0	29.30	22.00	37.10	27.30	42.70	03 – 10
17	M25 x 1.0	32.00	23.00	37.60	28.90	44.20	03 – 12
19	M28 x 1.0	35.40	23.50	37.80	29.90	44.70	03 – 12
21	M31 x 1.0	39.30	24.00	38.40	31.40	46.20	03 – 16
23	M34 x 1.0	41.55	24.50	39.40	32.90	48.30	03 – 16
25	M37 x 1.0	46.12	25.00	40.10	34.40	50.00	03 – 20



Cable Clamp Type MS3057A

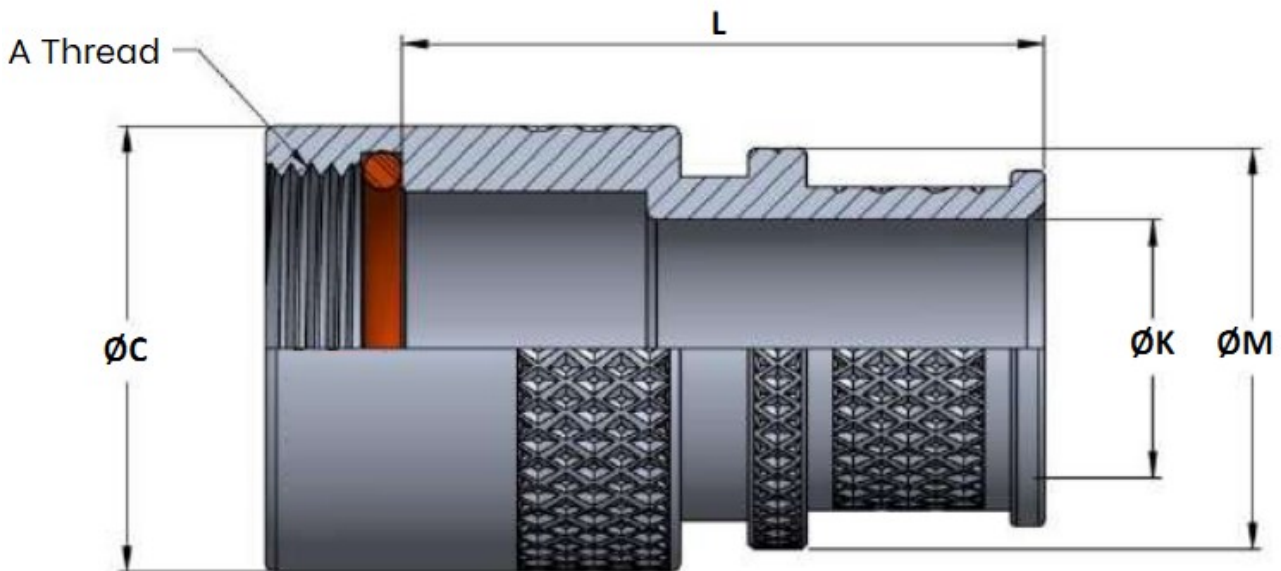
Cable Entry Code	Ø M MAX	K MAX
03	6.40	21.40
04	7.90	23.00
06	11.10	27.80
08	14.30	30.20
10	15.90	32.60
12	19.10	38.10
16	23.80	43.70
20	31.80	52.40
24	34.90	58.70
28	41.30	69.10
32	47.60	75.40
40	60.30	89.70



**MIL-DTL-5015 (crimp, MS34),
MIL-DTL-26482 series 2,
MIL-DTL-83723 series 3**

Series ALBS

EMI/RFI banding and shrink boot adapters, direct coupling



Ordering information

Basic Series	ALBS	-A	1	S	W	-18	07	-ST	-T
Connector Interface:									
A – MIL-DTL-5015 (crimp, MS34), MIL-DTL-26482 series 2, MIL-DTL-83723 series 3									
Coupling Ring Option:									
1 – direct coupling									
Angle Code:									
S – straight									
Material & Finish Code									
Shell Size									
Cable Entry Code									
Length Code for Straight Parts:									
ST – for standard length (L) – 1.25"									
(1/2" increment, for example 8 = 4 inches)									
Banding Option:									
S – CF spring									
T – termination band									
Omit – for none									



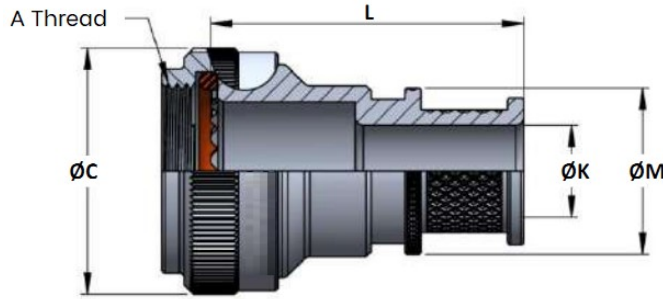
Dimensions

Shell Size	A Thread	Ø C MAX	Cable Entry Code
08	1/2 - 20 UNEF	18.80	02 - 04
10	5/8 - 24 UNEF	19.09	02 - 06
12	3/4 - 20 UNEF	22.26	02 - 08
14	7/8 - 20 UNEF	25.44	02 - 10
16	1 - 20 UNEF	29.41	02 - 12
18	1-1/16 - 18 UNEF	32.59	02 - 14
20	1-3/16 - 18 UNEF	36.56	02 - 16
22	1-5/16 - 18 UNEF	39.73	02 - 18
24	1-7/16 - 18 UNEF	39.73	02 - 20

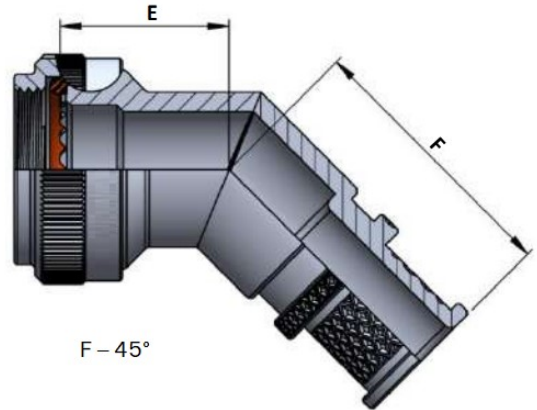
Cable Entry Code	Ø K +0.20	Ø M MAX
02	3.20	10.41
03	4.70	11.91
04	6.30	13.51
05	7.90	15.11
06	9.50	16.71
07	11.10	18.31
08	12.70	19.91
09	14.20	21.41
10	15.80	23.01
11	17.40	24.61
12	19.00	26.21
13	20.60	27.81
14	22.20	29.41
15	23.80	31.01
16	25.40	32.61
17	27.00	34.21
18	28.60	35.81
19	30.20	37.41
20	31.80	39.01

Series ALBS

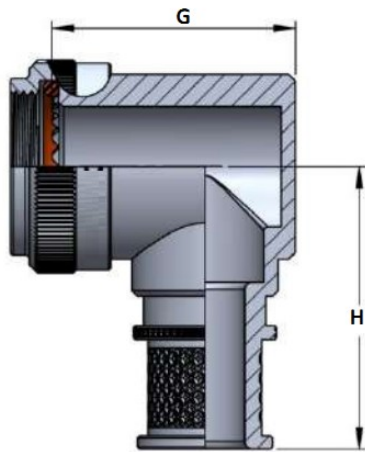
EMI/RFI banding and shrink boot adapters, spin coupling



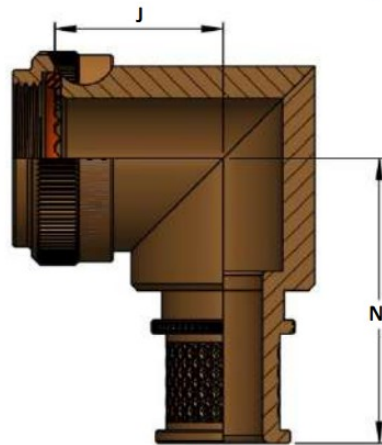
S – straight



F – 45°



N – 90°



N – 90°

stainless steel
nickel aluminium bronze

Ordering information

Basic Series	ALBS	-A	3	S	W	-18	07	-8	-T
Connector Interface:									
A – MIL-DTL-5015 (crimp, MS34), MIL-DTL-26482 series 2, MIL-DTL-83723 series 3									
Coupling Ring Option:									
3 – spin coupling									
Angle Code:									
S – straight									
F – 45°									
N – 90°									
Material & Finish Code									
Shell Size									
Cable Entry Code									
Length Code for Straight Parts:									
ST – for standard length (L) – 1.25"									
(1/2" increment, for example 8 = 4 inches)									
Banding Option:									
S – CF spring									
T – termination band									
Omit – for none									



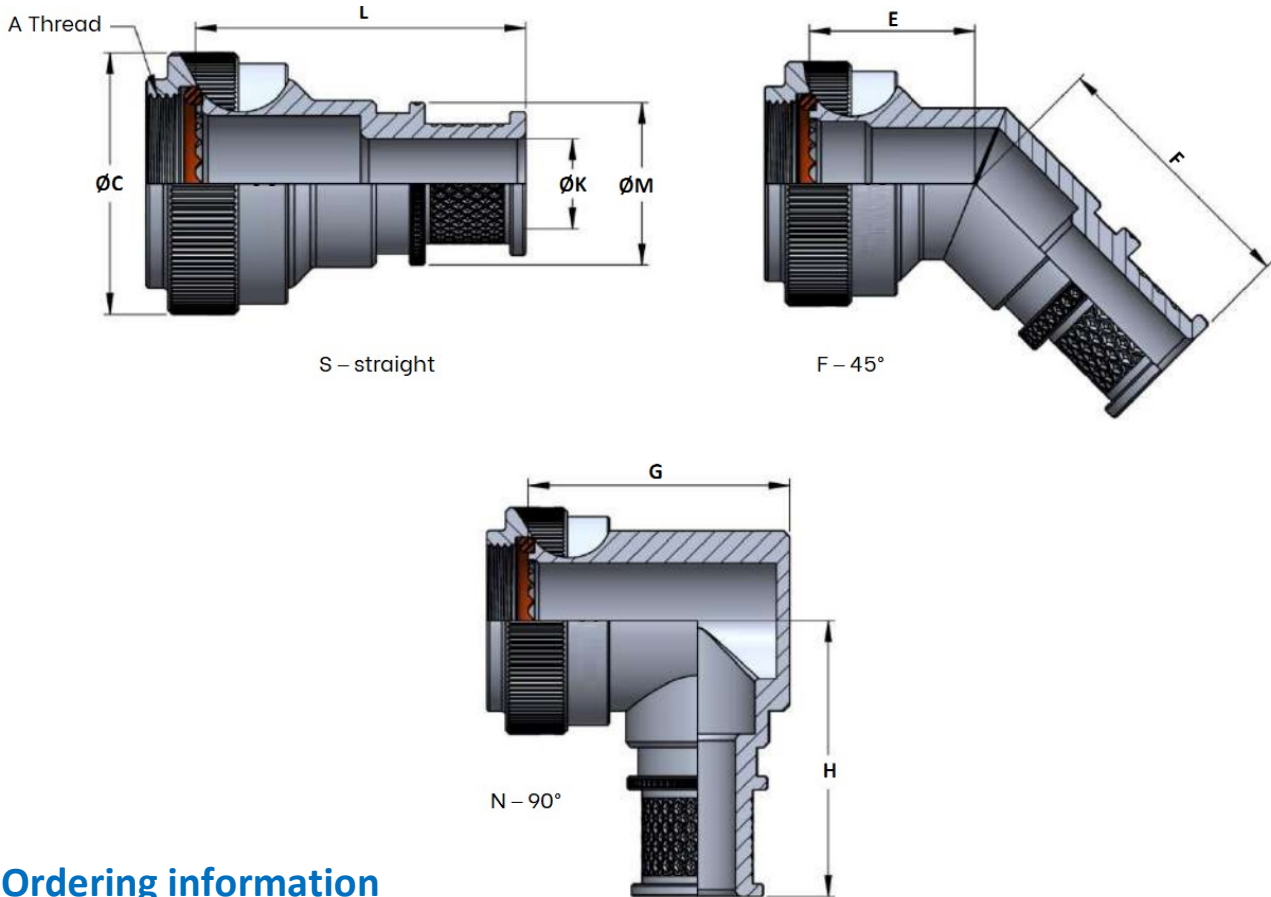
Dimensions

Shell Size	A Thread	Ø C MAX		Cable Entry Code		
08	1/2 - 20 UNEF	16.00		02 – 05		
10	5/8 - 24 UNEF	18.70		02 – 07		
12	3/4 - 20 UNEF	22.10		02 – 08		
14	7/8 - 20 UNEF	25.20		02 – 10		
16	1 - 20 UNEF	28.40		04 – 12		
18	1-1/16 - 18 UNEF	31.10		05 – 12		
20	1-3/16 - 18 UNEF	34.30		05 – 14		
22	1-5/16 - 18 UNEF	37.50		06 – 16		
24	1-7/16 - 18 UNEF	40.60		07 – 20		
Shell Size	E MAX	F MAX	G MAX	H MAX	J MAX	N MAX
08	18.10	27.40	25.70	31.00	18.50	31.00
10	18.30	27.20	27.70	33.00	19.80	33.00
12	18.80	27.10	30.20	32.80	21.40	32.80
14	19.60	28.90	31.70	34.40	22.50	34.40
16	20.50	29.20	35.20	37.70	24.00	37.70
18	20.70	30.10	38.20	37.70	25.00	37.70
20	21.60	30.30	43.20	39.30	26.70	39.30
22	21.80	30.60	45.20	41.60	28.20	41.60
24	23.30	32.50	46.20	42.60	29.70	42.60

Cable Entry Code	Ø K +0.20	Ø M MAX	Cable Entry Code	Ø K +0.20	Ø M MAX
02	3.20	10.41	12	19.00	26.21
03	4.70	11.91	13	20.60	27.81
04	6.30	13.51	14	22.20	29.41
05	7.90	15.11	15	23.80	31.01
06	9.50	16.71	16	25.40	32.61
07	11.10	18.31	17	27.00	34.21
08	12.70	19.91	18	28.60	35.81
09	14.20	21.41	19	30.20	37.41
10	15.80	23.01	20	31.80	39.01
11	17.40	24.61			

Series ALBS

EMI/RFI banding and shrink boot adapters, self locking coupling
 M85049/82, M85049/83, M85049/84



Ordering information

Basic Series	ALBS	-A	5	S	W	-18	07	-8	-T
Connector Interface:									
A – MIL-DTL-5015 (crimp, MS34), MIL-DTL-26482 series 2, MIL-DTL-83723 series 3									
Coupling Ring Option:									
5 – self locking coupling									
Angle Code:									
S – straight (M85049/82)									
F – 45° (M85049/83)									
N – 90° (M85049/84)									
Material & Finish Code									
Shell Size									
Cable Entry Code									
Length Code for Straight Parts:									
ST – for standard length (L) – 1.25"									
(1/2" increment, for example 8 = 4 inches)									
Banding Option:									
S – CF spring									
T – termination band									
Omit – for none									



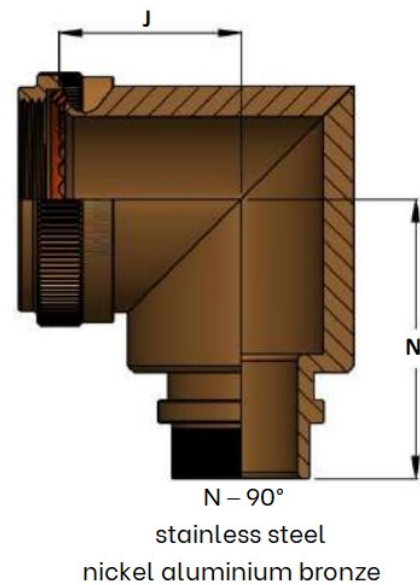
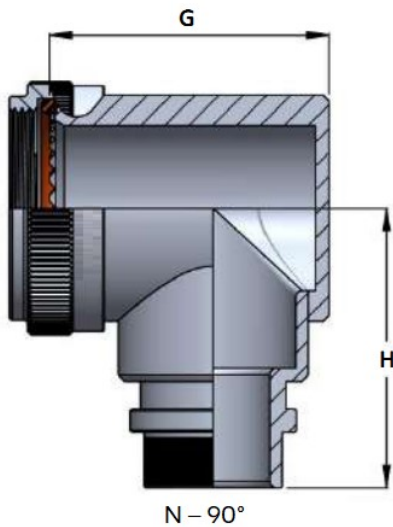
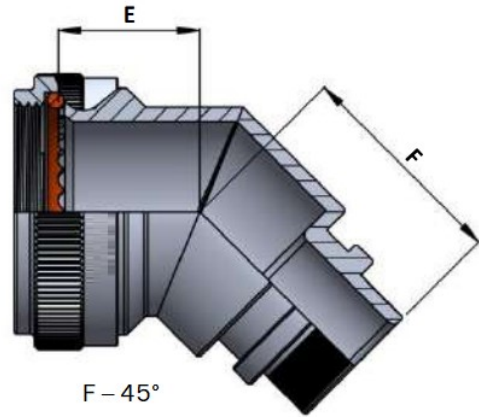
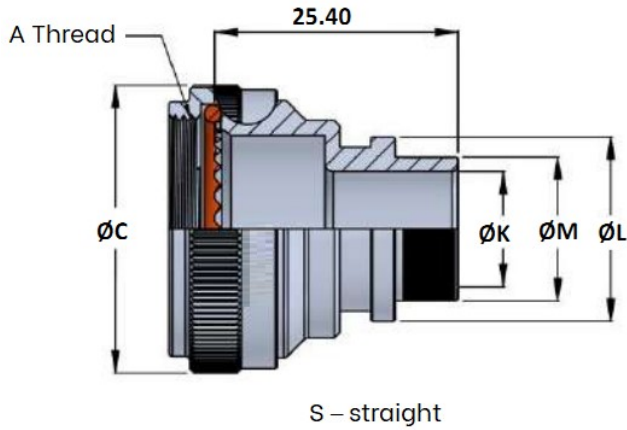
Dimensions

Shell Size	A Thread	Ø C MAX	Cable Entry Code	
08	1/2 - 20 UNEF	22.45	02 – 05	
10	5/8 - 24 UNEF	25.65	02 – 07	
12	3/4 - 20 UNEF	28.80	02 – 08	
14	7/8 - 20 UNEF	32.00	02 – 10	
16	1 - 20 UNEF	35.15	04 – 12	
18	1-1/16 - 18 UNEF	38.35	05 – 12	
20	1-3/16 - 18 UNEF	41.50	05 – 14	
22	1-5/16 - 18 UNEF	44.70	06 – 16	
24	1-7/16 - 18 UNEF	47.85	07 – 20	
Shell Size	E MAX	F MAX	G MAX	H MAX
08	22.10	27.40	30.20	31.00
10	22.60	27.20	32.50	33.00
12	23.40	27.10	35.70	32.80
14	23.90	28.90	38.90	34.40
16	24.40	29.20	42.10	37.70
18	24.90	30.10	43.60	37.70
20	25.40	30.30	46.80	39.30
22	26.20	30.60	49.20	41.60
24	26.70	32.50	53.20	42.60

Cable Entry Code	Ø K +0.20	Ø M MAX	Cable Entry Code	Ø K +0.20	Ø M MAX
02	3.20	10.41	12	19.00	26.21
03	4.70	11.91	13	20.60	27.81
04	6.30	13.51	14	22.20	29.41
05	7.90	15.11	15	23.80	31.01
06	9.50	16.71	16	25.40	32.61
07	11.10	18.31	17	27.00	34.21
08	12.70	19.91	18	28.60	35.81
09	14.20	21.41	19	30.20	37.41
10	15.80	23.01	20	31.80	39.01
11	17.40	24.61			

Series ALMR

EMI/RFI memory ring adapters, spin coupling



Ordering information

Basic Series	ALMR	-A	3	S	W	-18	07	-8
Connector Interface:								
A – MIL-DTL-5015 (crimp, MS34), MIL-DTL-26482 series 2, MIL-DTL-83723 series 3								
Coupling Ring Option:								
3 – spin coupling								
Angle Code:								
S – straight								
F – 45°								
N – 90°								
Material & Finish Code								
Shell Size								
Cable Entry Code								
Length Code for Straight Parts:								
ST – for standard length (L) – 1.00"								
(1/2" increment, for example 8 = 4 inches)								



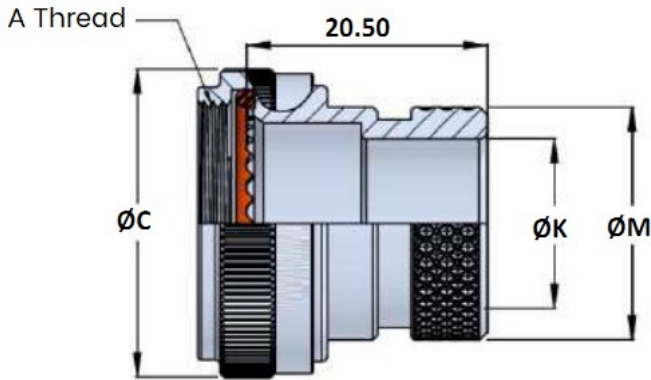
Dimensions

Shell Size	A Thread	Ø C MAX		Cable Entry Code		
08	1/2 - 20 UNEF	16.00		04 – 05		
10	5/8 - 24 UNEF	18.70		04 – 07		
12	3/4 - 20 UNEF	22.10		04 – 08		
14	7/8 - 20 UNEF	25.20		04 – 10		
16	1 - 20 UNEF	28.40		04 – 12		
18	1-1/16 - 18 UNEF	31.10		04 – 12		
20	1-3/16 - 18 UNEF	34.30		04 – 14		
22	1-5/16 - 18 UNEF	37.50		04 – 16		
24	1-7/16 - 18 UNEF	40.60		04 – 20		
Shell Size	E MAX	F MAX	G MAX	H MAX	J MAX	N MAX
08	18.10	28.30	25.70	27.00	18.50	27.20
10	18.30	29.00	27.70	28.70	19.80	29.00
12	18.80	29.50	30.20	29.40	21.40	30.50
14	19.60	30.50	31.70	31.10	22.50	32.00
16	20.50	31.20	35.20	33.40	24.00	33.70
18	20.70	32.00	38.20	33.50	25.00	33.70
20	21.60	32.40	43.20	35.10	26.70	35.10
22	21.80	31.60	45.20	36.70	28.20	36.70
24	23.30	34.00	46.20	38.20	29.70	38.20

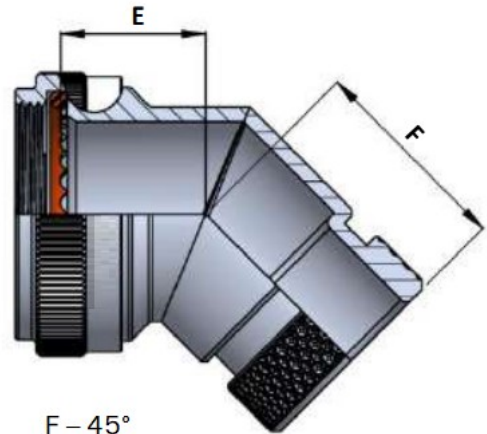
Cable Entry Code	Ø K +0.20	Ø M MAX	Ø L MAX	Cable Entry Code	Ø K +0.20	Ø M MAX	Ø L MAX
04	6.30	9.64	14.14	12	19.00	22.34	26.84
05	7.90	11.24	15.74	14	22.20	25.54	30.04
06	9.50	12.84	17.34	16	25.40	28.74	33.24
07	11.10	14.44	18.94	18	28.60	31.94	36.44
08	12.70	16.04	20.54	20	31.80	35.14	39.64
10	15.80	19.14	23.64				

Series ALSA

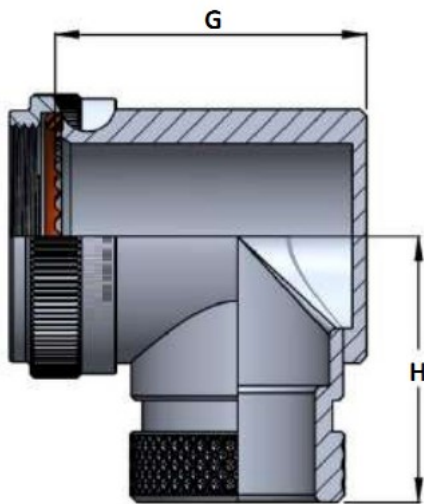
Shrink boot adapters, spin coupling. M85049/60-1



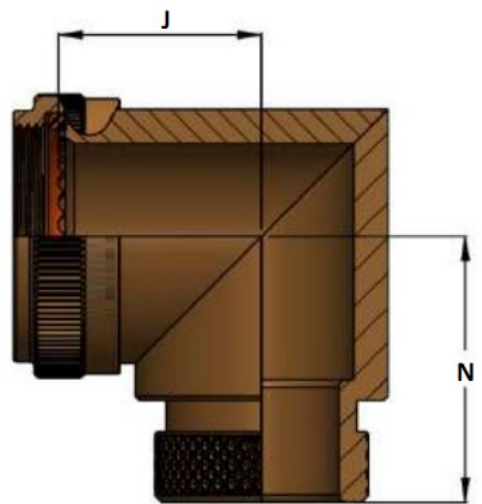
S – straight



F – 45°



N – 90°



N – 90°

stainless steel

nickel aluminium bronze

Ordering information

Basic Series	ALSA	-A	3	S	W	-18	DH
Connector Interface:							
A – MIL-DTL-5015 (crimp, MS34), MIL-DTL-26482 series 2, MIL-DTL-83723 series 3							
Coupling Ring Option:							
3 – spin coupling							
Angle Code:							
S – straight (M85049/60-1)							
F – 45°							
N – 90°							
Material & Finish Code							
Shell Size							
Drain Holes Option:							
DH – Drain Holes							
Omit – for none							

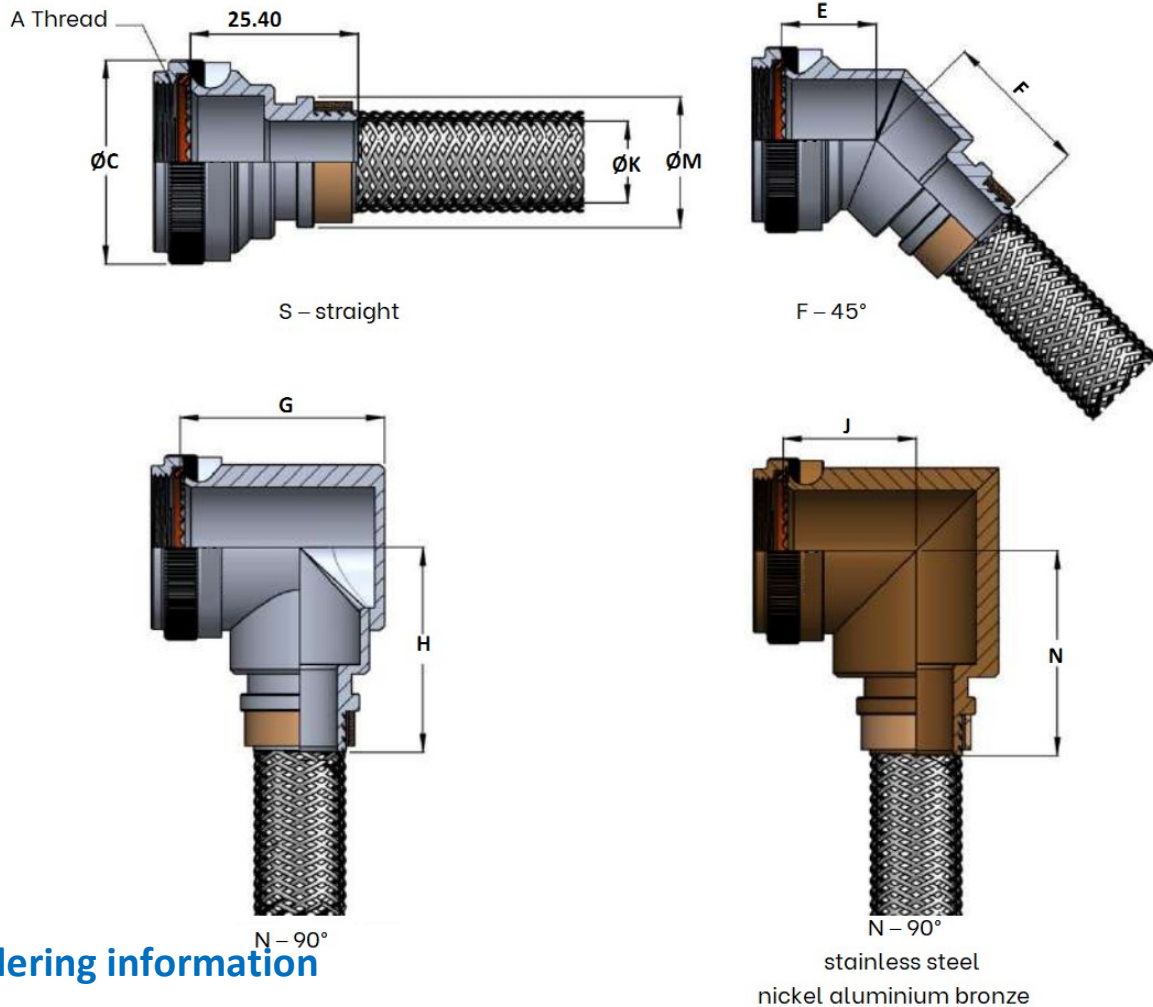


Dimensions

Shell Size	A Thread	Ø C MAX		Ø K	Ø M	
08	1/2 - 20 UNEF	16.00		6.35	13.54	
10	5/8 - 24 UNEF	18.70		9.52	15.37	
12	3/4 - 20 UNEF	22.10		12.70	19.66	
14	7/8 - 20 UNEF	25.20		15.88	21.29	
16	1 - 20 UNEF	28.40		19.05	24.46	
18	1-1/16 - 18 UNEF	31.10		20.62	26.47	
20	1-3/16 - 18 UNEF	34.30		23.80	30.91	
22	1-5/16 - 18 UNEF	37.50		26.97	34.42	
24	1-7/16 - 18 UNEF	40.60		30.18	36.65	
Shell Size	E MAX	F MAX	G MAX	H MAX	J MAX	N MAX
08	18.10	18.10	25.70	26.00	18.50	26.00
10	18.30	19.00	27.70	27.70	19.80	27.70
12	18.80	20.10	30.20	29.20	21.40	29.20
14	19.60	20.40	31.70	30.70	22.50	30.70
16	20.50	21.20	35.20	32.40	24.00	32.40
18	20.70	21.50	38.20	32.40	25.00	32.40
20	21.60	22.10	43.20	34.00	26.70	34.00
22	21.80	23.00	45.20	35.60	28.20	35.60
24	23.30	23.40	46.20	37.10	29.70	37.10

Series ALSS

EMI/RFI shield sock shrink boot adapters, spin coupling M85049/109 & M85049/111



Ordering information

Basic Series	ALSS	-A	3	S	W	-18	07	-08	-6
Connector Interface:									
A – MIL-DTL-5015 (crimp, MS34), MIL-DTL-26482 series 2, MIL-DTL-83723 series 3									
Coupling Ring Option:									
3 – spin coupling									
Angle Code:									
S – straight (M85049/109)									
F – 45°									
N – 90° (M85049/111)									
Material & Finish Code									
Shell Size									
Cable Entry Code									
Braid Length Code:									
Standard supply will be 6.00" (custom option available in 1" increment. for example 8 = 8 inches)									
Length Code for Straight Parts:									
ST – for standard length (L) – 1.00"									
(1/2" increment, for example 8 = 4 inches)									



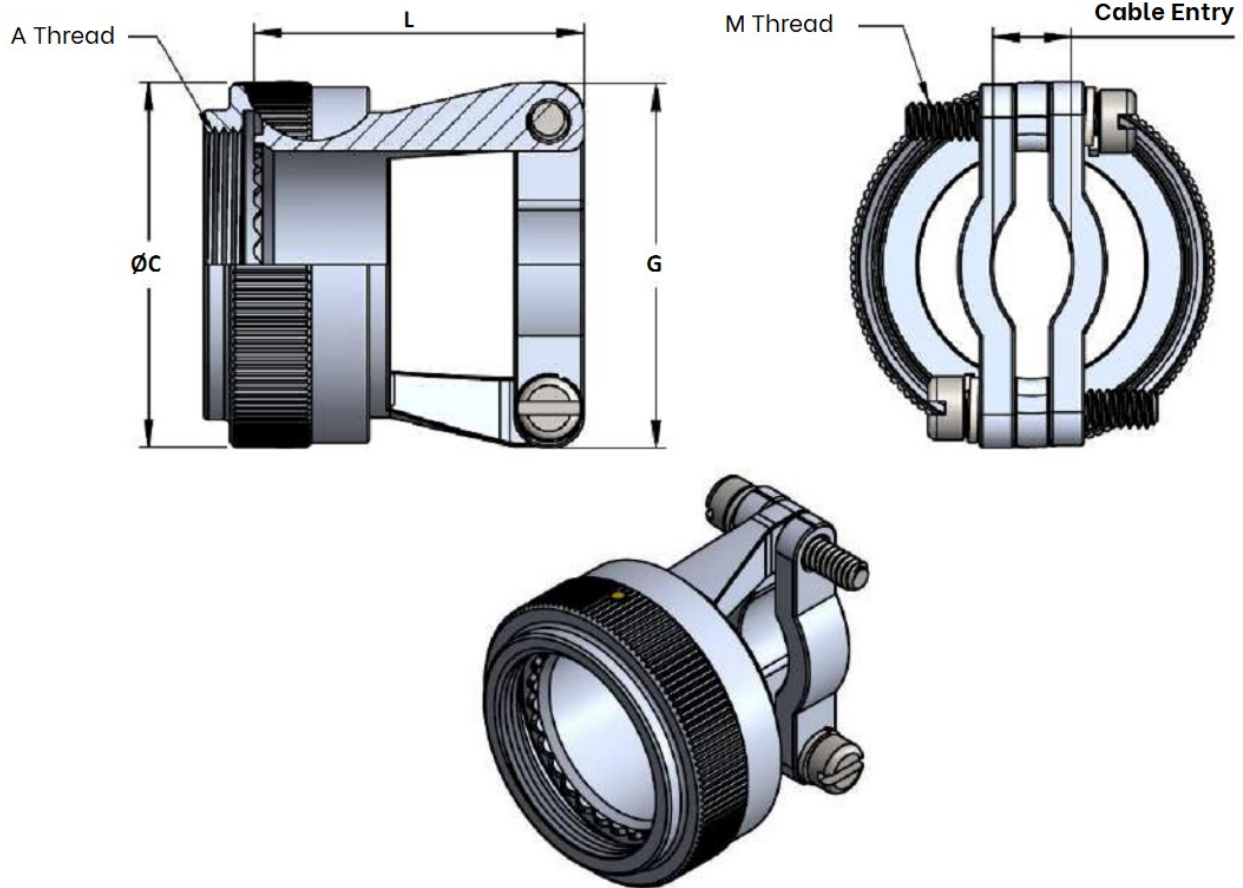
Dimensions

Shell Size	A Thread	Ø C MAX		Cable Entry Code		
08	1/2 - 20 UNEF	16.00		03 – 04		
10	5/8 - 24 UNEF	18.70		03 – 06		
12	3/4 - 20 UNEF	22.10		03 – 08		
14	7/8 - 20 UNEF	25.20		03 – 09		
16	1 - 20 UNEF	28.40		03 – 11		
18	1-1/16 - 18 UNEF	31.10		03 – 13		
20	1-3/16 - 18 UNEF	34.30		03 – 15		
22	1-5/16 - 18 UNEF	37.50		03 – 17		
24	1-7/16 - 18 UNEF	40.60		03 – 18		
Shell Size	E MAX	F MAX	G MAX	H MAX	J MAX	N MAX
08	18.10	17.90	25.70	25.80	18.50	25.80
10	18.30	18.20	27.70	26.50	19.80	26.50
12	18.80	18.60	30.20	27.50	21.40	27.50
14	19.60	19.40	31.70	29.10	22.50	29.10
16	20.50	20.20	35.20	31.20	24.00	31.20
18	20.70	20.50	38.20	31.20	25.00	31.20
20	21.60	21.30	43.20	33.00	26.70	33.00
22	21.80	21.60	45.20	34.60	28.20	34.60
24	23.30	23.00	46.20	36.10	29.70	36.10

Cable Entry Code	Ø K +0.20	Ø M MAX	Cable Entry Code	Ø K +0.20	Ø M MAX
03	4.70	12.40	11	17.40	25.10
04	6.30	14.00	12	19.00	26.70
05	7.90	15.60	13	20.60	28.30
06	9.50	17.20	14	22.20	29.90
07	11.10	18.80	15	23.80	31.50
08	12.70	20.40	16	25.40	33.10
09	14.20	21.90	17	27.00	34.70
10	15.80	23.50	18	28.60	36.30

Series ALSB

Straight Strain Reliefs, spin coupling. M85049/118



Ordering information

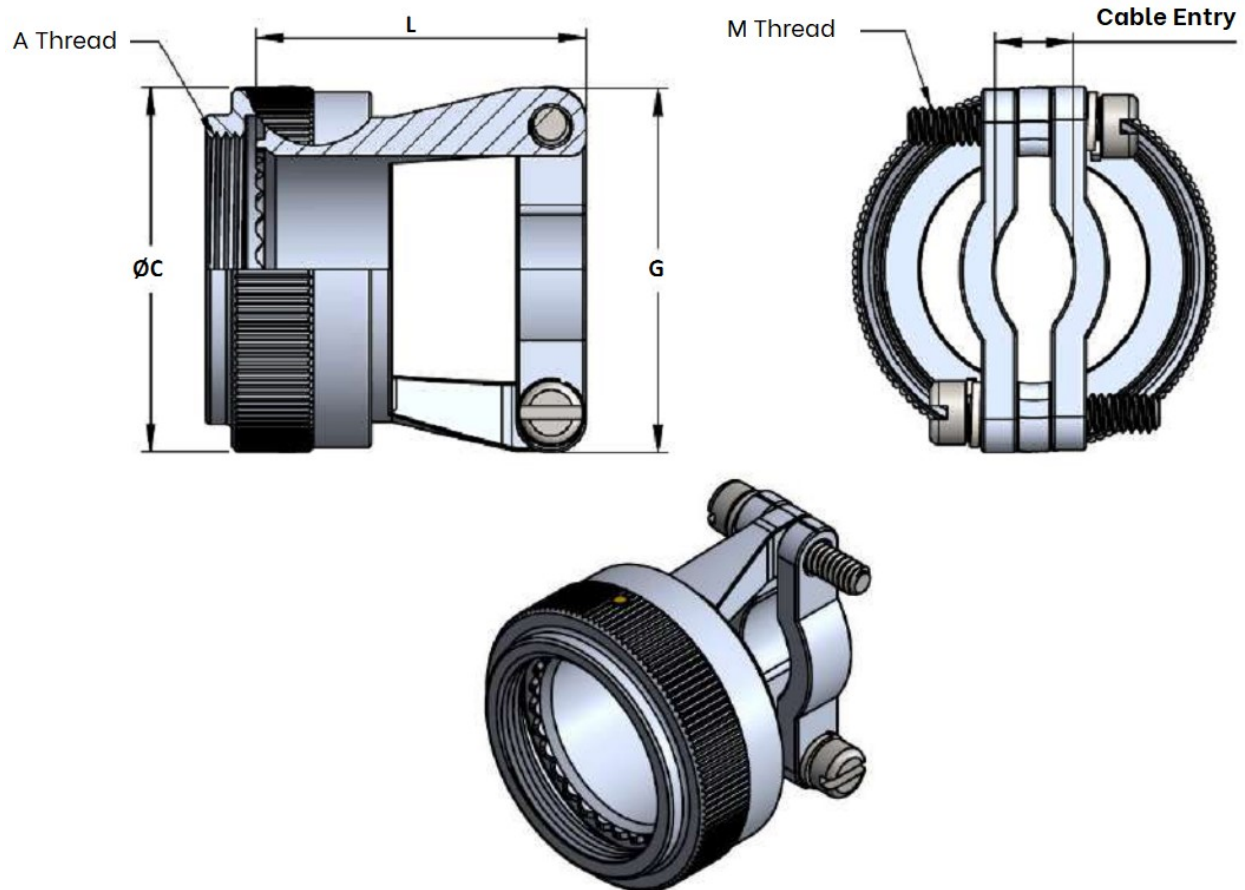
Basic Series	ALSB	-A	3	S	-14
Connector Interface:	A – MIL-DTL-5015 (crimp, MS34), MIL-DTL-26482 series 2, MIL-DTL-83723 series 3				
Coupling Ring Option:	3 – spin coupling				
Material & Finish Code					
Shell Size					

Dimensions

Shell Size	A Thread	Ø C MAX	Cable Entry	L MAX	G MAX	M Thread
08	1/2 - 20 UNEF	16.00	3.20 – 5.20	16.00	19.90	6-32
10	5/8 - 24 UNEF	18.70	4.70 – 7.30	18.80	21.90	6-32
12	3/4 - 20 UNEF	22.10	7.40 – 10.60	21.84	25.50	6-32
14	7/8 - 20 UNEF	25.20	8.90 – 12.10	21.84	26.90	6-32
16	1 - 20 UNEF	28.40	12.70 – 15.90	25.15	33.90	6-32
18	1-1/16 - 18 UNEF	31.10	13.20 – 17.90	31.50	37.20	8-32
20	1-3/16 - 18 UNEF	34.30	14.80 – 21.10	34.54	39.90	8-32
22	1-5/16 - 18 UNEF	37.50	16.40 – 24.30	37.85	42.90	8-32
24	1-7/16 - 18 UNEF	40.60	17.90 – 27.50	40.89	45.50	8-32

Series ALSB

Straight Strain Reliefs, self locking coupling. M85049/118



Ordering information

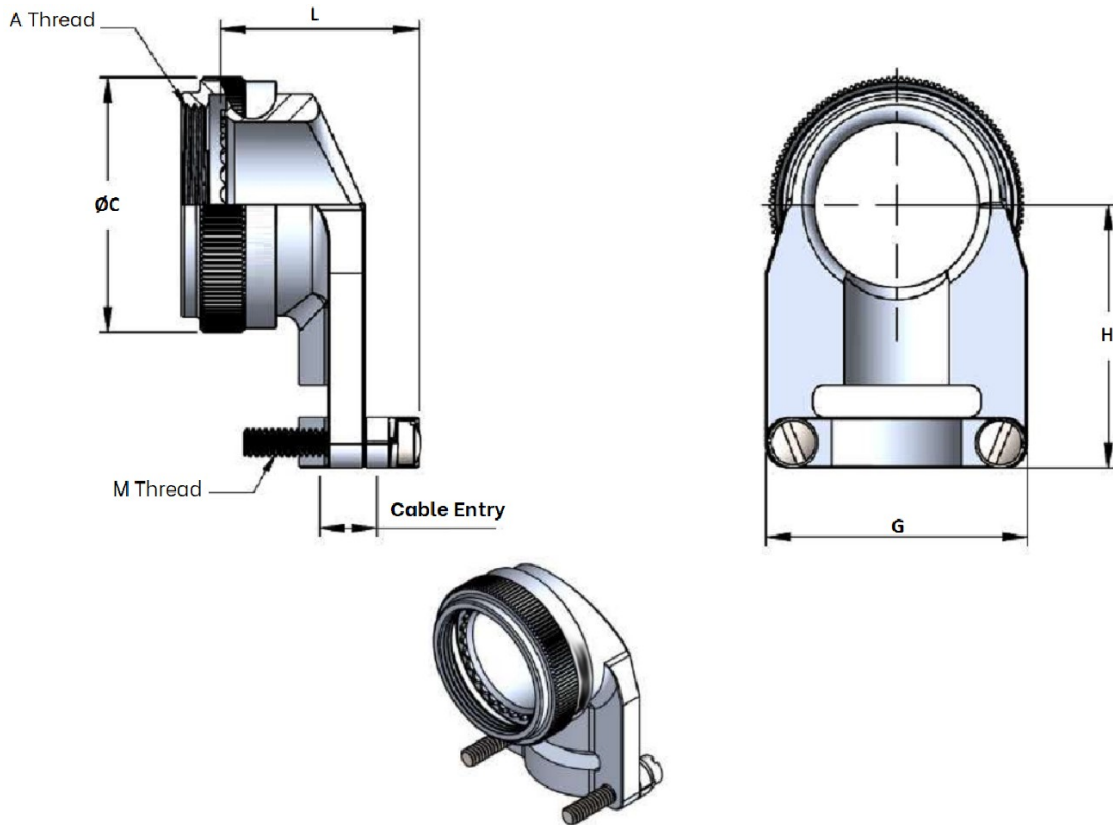
Basic Series	ALSB	-A	5	S	-14
Connector Interface:					
A – MIL-DTL-5015 (crimp, MS34), MIL-DTL-26482 series 2, MIL-DTL-83723 series 3					
Coupling Ring Option:					
5 – self locking coupling					
Material & Finish Code					
Shell Size					

Dimensions

Shell Size	A Thread	Ø C MAX	Cable Entry	L MAX	G MAX	M Thread
08	1/2 - 20 UNEF	22.45	3.20 – 5.20	18.54	19.90	6-32
10	5/8 - 24 UNEF	25.65	4.70 – 7.30	21.59	21.90	6-32
12	3/4 - 20 UNEF	28.80	7.40 – 10.60	24.89	25.50	6-32
14	7/8 - 20 UNEF	32.00	8.90 – 12.10	24.89	26.90	6-32
16	1 - 20 UNEF	35.15	12.70 – 15.90	27.94	33.90	6-32
18	1-1/16 - 18 UNEF	38.35	13.20 – 17.90	34.29	37.20	8-32
20	1-3/16 - 18 UNEF	41.50	14.80 – 21.10	37.59	39.90	8-32
22	1-5/16 - 18 UNEF	44.70	16.40 – 24.30	40.64	42.90	8-32
24	1-7/16 - 18 UNEF	47.85	17.90 – 27.50	43.94	45.50	8-32

Series ALAB

90° Strain Reliefs, spin coupling. M85049/120



Ordering information

Basic Series	ALAB	-A	3	S	-14
Connector Interface:	A – MIL-DTL-5015 (crimp, MS34), MIL-DTL-26482 series 2, MIL-DTL-83723 series 3				
Coupling Ring Option:	3 – spin coupling				
Material & Finish Code					
Shell Size					

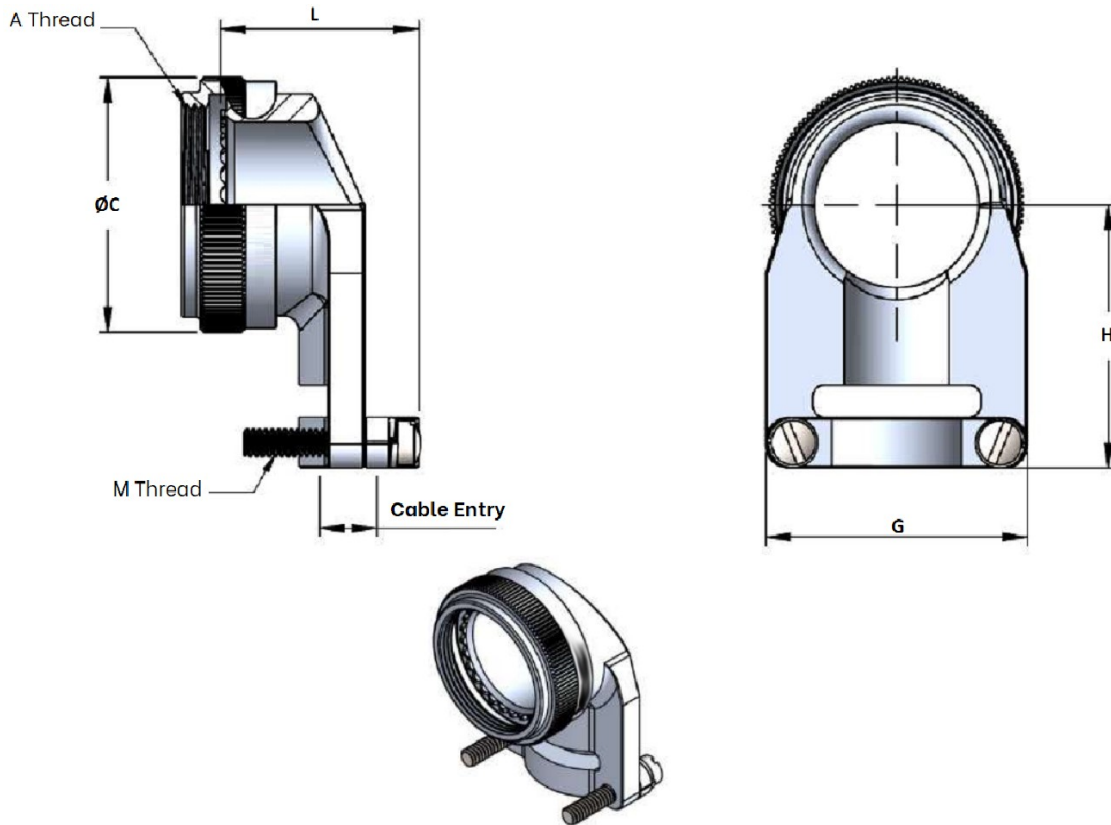
Dimensions

Shell Size	A Thread	Ø C MAX	Cable Entry	L MAX	G MAX	H MAX	M Thread
08	1/2 - 20 UNEF	16.00	3.20 – 5.20	19.81	19.90	18.85	6-32
10	5/8 - 24 UNEF	18.70	4.70 – 7.30	21.84	21.90	20.45	6-32
12	3/4 - 20 UNEF	22.10	7.40 – 10.60	26.67	25.50	22.02	6-32
14	7/8 - 20 UNEF	25.20	8.90 – 12.10	28.19	26.90	23.62	6-32
16	1 - 20 UNEF	28.40	12.70 – 15.90	32.00	33.90	25.25	6-32
18	1-1/16 - 18 UNEF	31.10	13.20 – 17.90	34.80	37.20	29.74	8-32
20	1-3/16 - 18 UNEF	34.30	14.80 – 21.10	38.10	39.90	31.34	8-32
22	1-5/16 - 18 UNEF	37.50	16.40 – 24.30	41.15	42.90	32.92	8-32
24	1-7/16 - 18 UNEF	40.60	17.90 – 27.50	44.45	45.50	34.49	8-32



Series ALSB

90° Strain Reliefs, self locking coupling. M85049/120



Ordering information

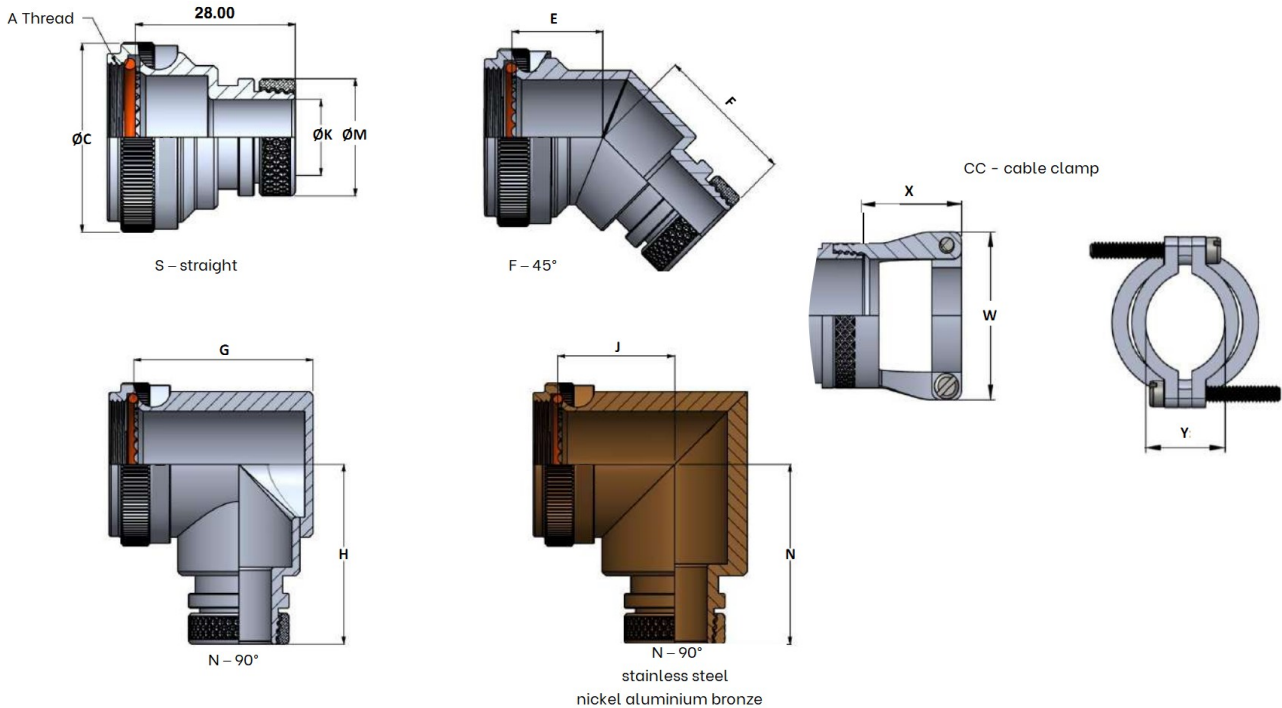
Basic Series	ALAB	-A	5	S	-14
Connector Interface:	A – MIL-DTL-5015 (crimp, MS34), MIL-DTL-26482 series 2, MIL-DTL-83723 series 3				
Coupling Ring Option:	5 – self locking coupling				
Material & Finish Code					
Shell Size					

Dimensions

Shell Size	A Thread	Ø C MAX	Cable Entry	L MAX	G MAX	H MAX	M Thread
08	1/2 - 20 UNEF	22.45	3.20 – 5.20	23.62	19.90	18.85	6-32
10	5/8 - 24 UNEF	25.65	4.70 – 7.30	25.91	21.90	20.45	6-32
12	3/4 - 20 UNEF	28.80	7.40 – 10.60	30.73	25.50	22.02	6-32
14	7/8 - 20 UNEF	32.00	8.90 – 12.10	32.26	26.90	23.62	6-32
16	1 - 20 UNEF	35.15	12.70 – 15.90	36.07	33.90	25.25	6-32
18	1-1/16 - 18 UNEF	38.35	13.20 – 17.90	38.86	37.20	29.74	8-32
20	1-3/16 - 18 UNEF	41.50	14.80 – 21.10	41.91	39.90	31.34	8-32
22	1-5/16 - 18 UNEF	44.70	16.40 – 24.30	45.21	42.90	32.92	8-32
24	1-7/16 - 18 UNEF	47.85	17.90 – 27.50	48.26	45.50	34.49	8-32

Series ALLB

EMI/RFI lamp base thread shrink boot adapters, spin coupling



Ordering information

Basic Series	ALLB	-A	3	S	W	-18	07	-8	-CC
Connector Interface:									
A – MIL-DTL-5015 (crimp, MS34), MIL-DTL-26482 series 2, MIL-DTL-83723 series 3									
Coupling Ring Option:									
3 – spin coupling									
Angle Code:									
S – straight									
F – 45°									
N – 90°									
Material & Finish Code									
Shell Size									
Cable Entry Code									
Length Code for Straight Parts:									
ST – for standard length (L) – 1.10"									
(1/2" increment, for example 8 = 4 inches)									
Cable Clamp Option:									
CC – Cable Clamp									
Omit – back nut									



Dimensions

Shell Size	A Thread	Ø C MAX	Cable Clamp			
			F MAX	H MAX	N MAX	
08	1/2 - 20 UNEF	16.00	25.00	31.50	31.50	
10	5/8 - 24 UNEF	18.70	25.70	33.20	33.20	
12	3/4 - 20 UNEF	22.10	26.10	34.00	34.00	
14	7/8 - 20 UNEF	25.20	27.00	35.40	35.40	
16	1 - 20 UNEF	28.40	27.80	37.90	37.90	
18	1-1/16 - 18 UNEF	31.10	28.30	37.90	37.90	
20	1-3/16 - 18 UNEF	34.30	29.20	39.50	39.50	
22	1-5/16 - 18 UNEF	37.50	29.50	41.20	41.20	
24	1-7/16 - 18 UNEF	40.60	30.40	42.60	42.60	
Shell Size	E MAX	G MAX	J MAX	Back Nut		
				F MAX	H MAX	N MAX
08	18.10	25.70	18.50	21.00	27.50	27.50
10	18.30	27.70	19.80	21.70	29.20	29.20
12	18.80	30.20	21.40	22.10	30.00	30.00
14	19.60	31.70	22.50	23.00	31.40	31.40
16	20.50	35.20	24.00	23.80	33.90	33.90
18	20.70	38.20	25.00	24.30	33.90	33.90
20	21.60	43.20	26.70	25.20	35.50	35.50
22	21.80	45.20	28.20	25.50	37.20	37.20
24	23.30	46.20	29.70	26.40	38.60	38.60



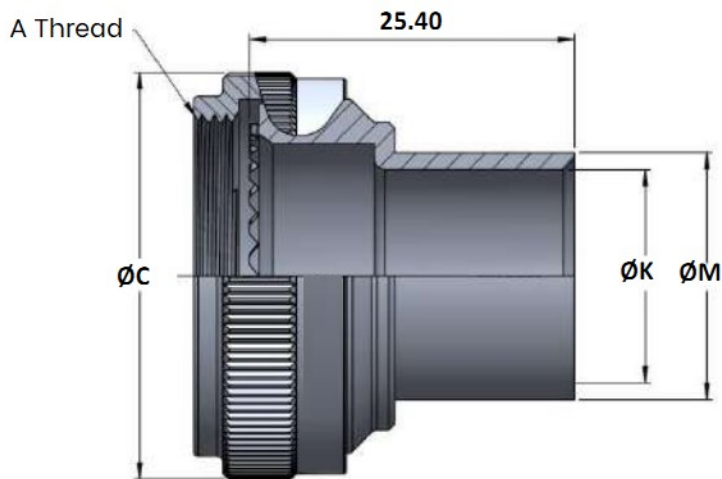
Dimensions

Shell Size	Cable Entry Code
08	03
10	03 – 07
12	03 – 08
14	03 – 08
16	03 – 10
18	03 – 12
20	03 – 14
22	03 – 16
24	03 – 18

Cable Entry Code	Ø K +0.20	Ø M MAX	W MAX	X MAX	Y MAX
03	4.70	15.20	17.50	12.80	5.80
04	6.30	15.20	19.10	12.80	5.70
05	7.90	16.80	20.70	12.80	6.80
06	9.50	18.40	22.30	12.80	6.90
07	11.10	20.00	23.80	12.80	8.10
08	12.70	21.60	25.30	15.80	8.50
09	14.20	23.20	27.00	15.80	9.70
10	15.80	24.80	28.60	15.80	10.40
11	17.40	26.40	30.30	18.80	11.50
12	19.00	27.90	31.80	18.80	11.50
13	20.60	29.50	33.30	18.80	14.00
14	22.20	31.10	35.00	21.80	15.40
15	23.80	32.70	36.70	21.80	16.80
16	25.40	34.30	38.10	21.80	17.30
17	27.00	35.90	39.70	21.80	18.80
18	28.60	37.50	41.30	21.80	19.50

Series ALCR

Crimp ring backshells, spin coupling. M85049/26-1



Ordering information

Basic Series	ALCR	-A	3	S	-14
Connector Interface: A – MIL-DTL-5015 (crimp, MS34), MIL-DTL-26482 series 2, MIL-DTL-83723 series 3					
Coupling Ring Option: 3 – spin coupling					
Material & Finish Code					
Shell Size					

Dimensions

Shell Size	A Thread	Ø C MAX	Ø K MAX	Ø M MAX
08	1/2 - 20 UNEF	16.00	6.40	8.60
10	5/8 - 24 UNEF	18.70	8.30	12.40
12	3/4 - 20 UNEF	22.10	10.70	12.70
14	7/8 - 20 UNEF	25.20	13.70	15.70
16	1 - 20 UNEF	28.40	17.00	19.10
18	1-1/16 - 18 UNEF	31.10	20.00	22.40
20	1-3/16 - 18 UNEF	34.30	23.20	25.40
22	1-5/16 - 18 UNEF	37.50	26.40	28.40
24	1-7/16 - 18 UNEF	40.60	28.20	30.30

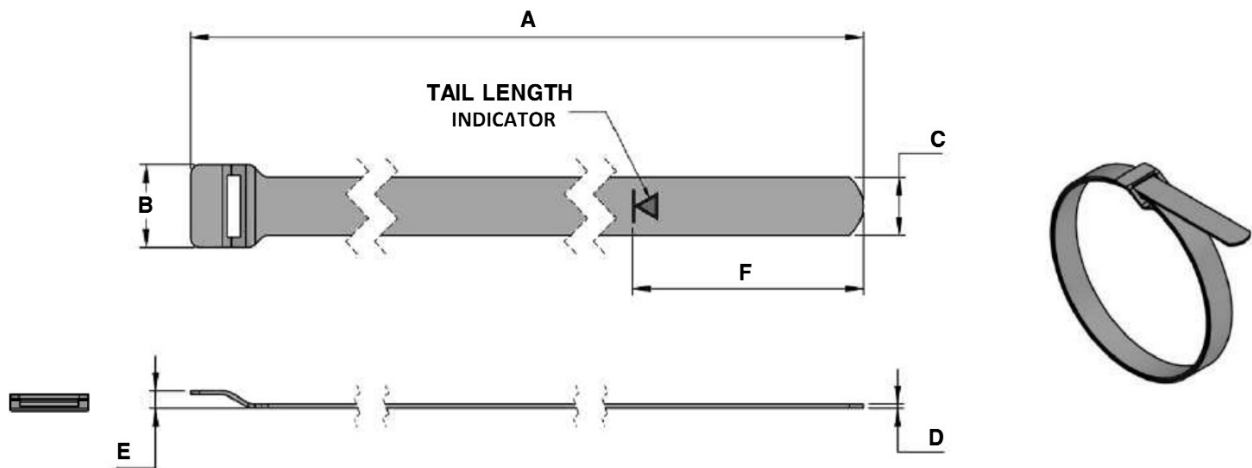


Termination Accessories

Series AL128

Termination Bands. M85049/128

Stamped Buckle



Ordering information

Basic Series	AL128	LB	-03	-01
Band Type:				
LB – standard				
MB – mini				
Buckle Style:				
03, 07, 09 – stamped				
Supplied Type:				
01 – coiled				
Omit – flat				

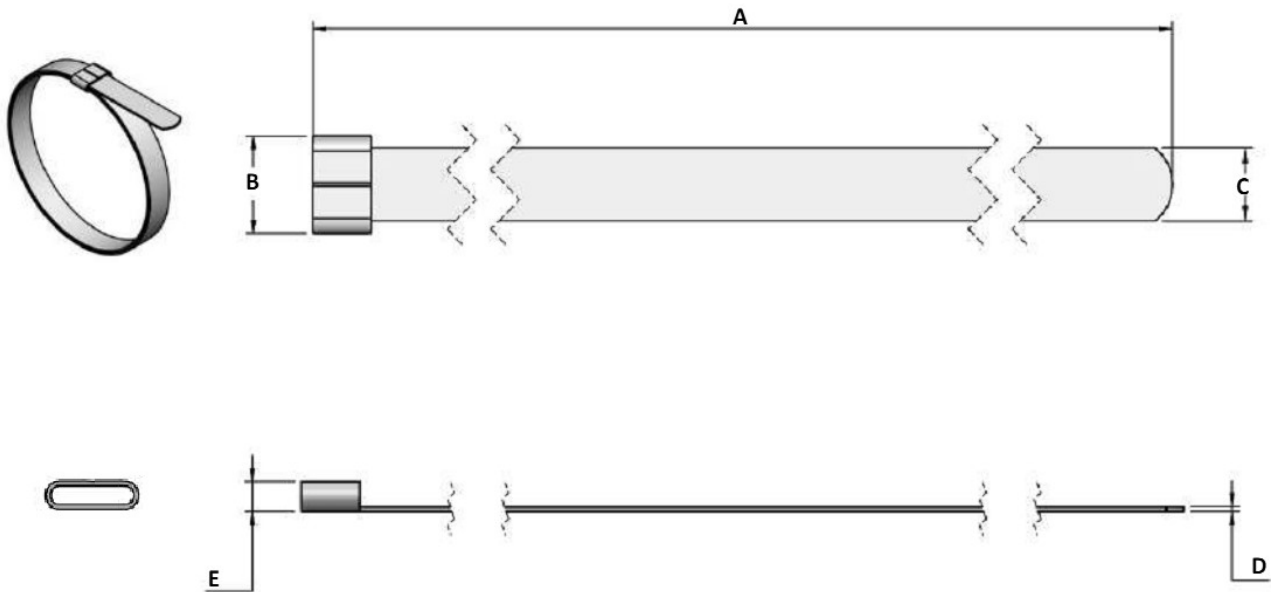
Dimensions

Part Number	A ± 1.52	B ± 0.79	C ± 0.26	D	E
AL128LB-03	361.95	8.89	6.35	0.51	3.30
AL128LB-03-01	361.95	8.89	6.35	0.51	3.30
AL128MB-07	206.38	4.95	3.05	0.38	1.35
AL128MB-07-01	206.38	4.95	3.05	0.38	1.35
AL128MB-09	361.95	4.95	3.05	0.38	1.35
AL128MB-09-01	361.95	4.95	3.05	0.38	1.35

Series AL128

Termination Bands. M85049/128

Welded Buckle



Ordering information

Basic Series	AL128	LB	-05	-01
Band Type:				
LB – standard				
MB – mini				
Buckle Style:				
01, 05 – welded				
Supplied Type:				
01 – coiled				
Omit – flat				

Dimensions

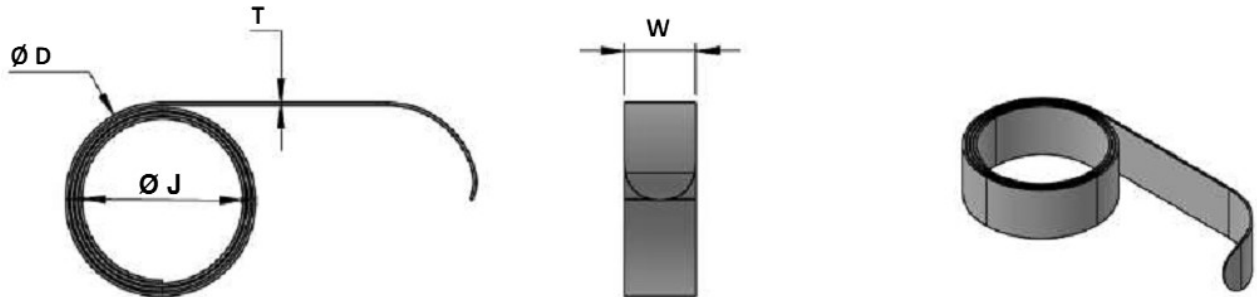
Part Number	A ± 1.52	B ± 0.79	C ± 0.26	D	E
AL128LB-01	355.60	8.33	6.22	0.50	2.54
AL128LB-01-01	355.60	8.33	6.22	0.50	2.54
AL128MB-05	241.30	5.03	2.99	0.40	2.03
AL128MB-05-01	241.30	5.03	2.99	0.40	2.03
AL128LB-01	355.60	8.33	6.22	0.50	2.54
AL128LB-01-01	355.60	8.33	6.22	0.50	2.54



Cross Reference List

AL128 series	M85049/128	GLENAIR
AL128LB-03	-3	600-052
AL128LB-03-01	-4	600-052-1
AL128MB-07	-7	600-057
AL128MB-07-01	-8	600-057-1
AL128MB-09	-	600-083
AL128MB-09-01	-	600-083-1
AL128LB-01	-1	-
AL128LB-01-01	-2	-
AL128MB-05	-5	-
AL128MB-05-01	-6	-

Series ALSWB Spring Band



Part number	Ø J	Ø D (+0/-1.0)	T (± 0.01)	W (+0.05/-0.13)	Spring length (±5)	Turns
ALSWB-050	7.10	8.50	0.11	9.53	107.90	4.25
ALSWB-100	8.20	9.10	0.11	9.53	119.00	4.25
ALSWB-200	12.70	14.40	0.18	9.53	127.00	3.00
ALSWB-300	18.46	19.51	0.26	9.53	232.00	4.25
ALSWB-400	25.91	26.86	0.31	9.53	217.50	3.50

Backshell Entry Code	Ø J	Part Number Spring Band
03	4.70	ALSWB-050
04	6.30	ALSWB-050
05	7.90	ALSWB-100
06	9.50	ALSWB-100
07	11.10	ALSWB-100
08	12.70	ALSWB-200
09	14.20	ALSWB-200
10	15.80	ALSWB-200
11	17.40	ALSWB-200
12	19.00	ALSWB-300
13	20.60	ALSWB-300
14	22.20	ALSWB-300
15	23.80	ALSWB-300
16	25.40	ALSWB-300
17	27.00	ALSWB-400
18	28.60	ALSWB-400
19	30.20	ALSWB-400
20	31.80	ALSWB-400
21	33.30	ALSWB-400
22	35.00	ALSWB-400
23	36.50	ALSWB-400
24	38.10	ALSWB-400



Protective Caps

Dummy Stowage Receptacles

MIL-DTL-38999

MIL-DTL-26482

MIL-DTL-5015 (MS34)

VG95234

Product Finder






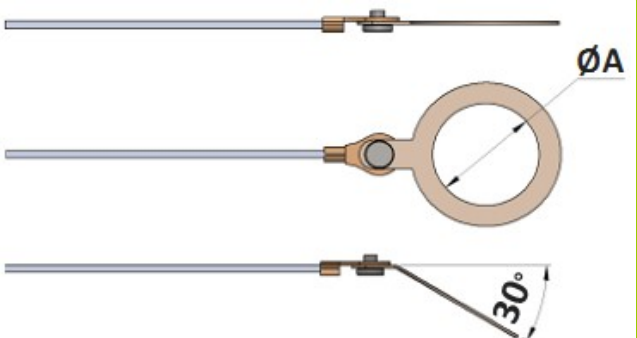

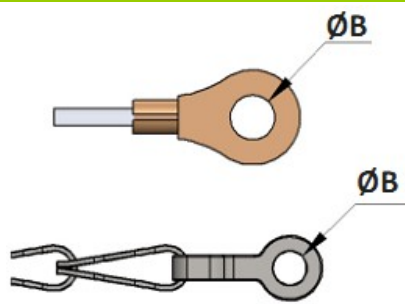
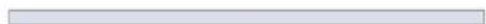

Series Code	for Plugs	for Receptacles	Description
Series 12 & 13			Protective Caps MIL-DTL-38999 series 1 (bayonet)
Series 22 & 23			Protective Caps MIL-DTL-38999 series 2 (bayonet)
Series 32 & 33			Protective Caps MIL-DTL-38999 series 3 (thread)
Series 42 & 43			Protective Caps MIL-DTL-38999 series 4
Series 52 & 53			Protective Caps MIL-DTL-26482 series 1 & 2
Series 62 & 63			Protective Caps MIL-DTL-5015 (thread, crimp, MS34)
Series 72 & 73			Protective Caps MIL-DTL-5015, VG95234 (bayonet)
Series ALDSR-01			Dummy Receptacles MIL-DTL-5015, VG95234 (bayonet)
Series ALDSR-03			Dummy Stowage Receptacles MIL-DTL-38999 series 3 (thread)



Material & Finish Code

Code	Material & Finish	Process	Salt Spray Hours
A	aluminum/black anodized	conductive up -65 to +175°C	336
AH	aluminum/hard anodized	non-conductive up -65 to +200°C	336
N	aluminum/electroless nickel	conductive up -65 to +200°C	96
W	aluminum/olive drab cadmium	conductive up -65 to +175°C	500
WS	aluminum/olive drab cadmium	conductive up -65 to +175°C	1000
Z	aluminum/black zinc nickel	conductive up -65 to +175°C	500
VB	aluminum/black zinc cobalt	conductive up -65 to +175°C	350
VO	aluminum/olive drab zinc cobalt	conductive up -65 to +175°C	350
NU	nickel aluminium bronze/unplated	conductive up -65 to +200°C	1000
NS	nickel aluminium bronze/shot blasted	conductive up -65 to +200°C	1000
S	stainless steel/passivation	conductive up -65 to +200°C	1000
Y	aluminum/gold yellow cadmium	conductive up -65 to +175°C	1000
WC	aluminum/clear cadmium	conductive up -65 to +175°C	1000
L	stainless steel/electroless nickel	conductive up -65 to +200°C	500

Lanyard & Attachment Option

<p>Stainless Steel Sash Chain</p>  <p>code – SC</p>	<p>Stainless Steel Rope/Teflon Jacket</p>  <p>code – T</p>
<p>Stainless Steel Rope/Nylon Jacket</p>  <p>code – Y</p>	<p>Nylon Rope</p>  <p>code – NB</p>
<p>Protective Cap no Accessories</p>  <p>NONE</p>	<p>Straight Ring, Bend Ring</p>  <p>DASH NO</p>
<p>Tie Wrap</p>  <p>code – TW</p>	<p>Eyelet</p>  <p>DASH NO</p>
<p>no Eyelet/no Ring</p>  <p>code – 00</p>	<p>Crimp Ferrule</p>  <p>code – CF</p>



Solid Ring & Eyelet Option

Straight Ring		Bend Ring		Eyelet	
DASH NO	Ø A ±0.40	DASH NO	Ø A ±0.40	DASH NO	Ø B ±0.25
150	15.00	150B	15.00	01	3.60
184	18.40	184B	18.40	02	4.60
232	23.20	232B	23.20	03	4.90
265	26.50	265B	26.50	04	5.00
303	30.30	303B	30.30	05	4.20
326	32.60	326B	32.60	06	3.20
365	36.50	365B	36.50	07	5.50
393	39.30	393B	39.30	08	4.00
429	42.90	429B	42.90	00	no eyelet
450	45.00	450B	45.00		

Cross Reference List

Protective Caps

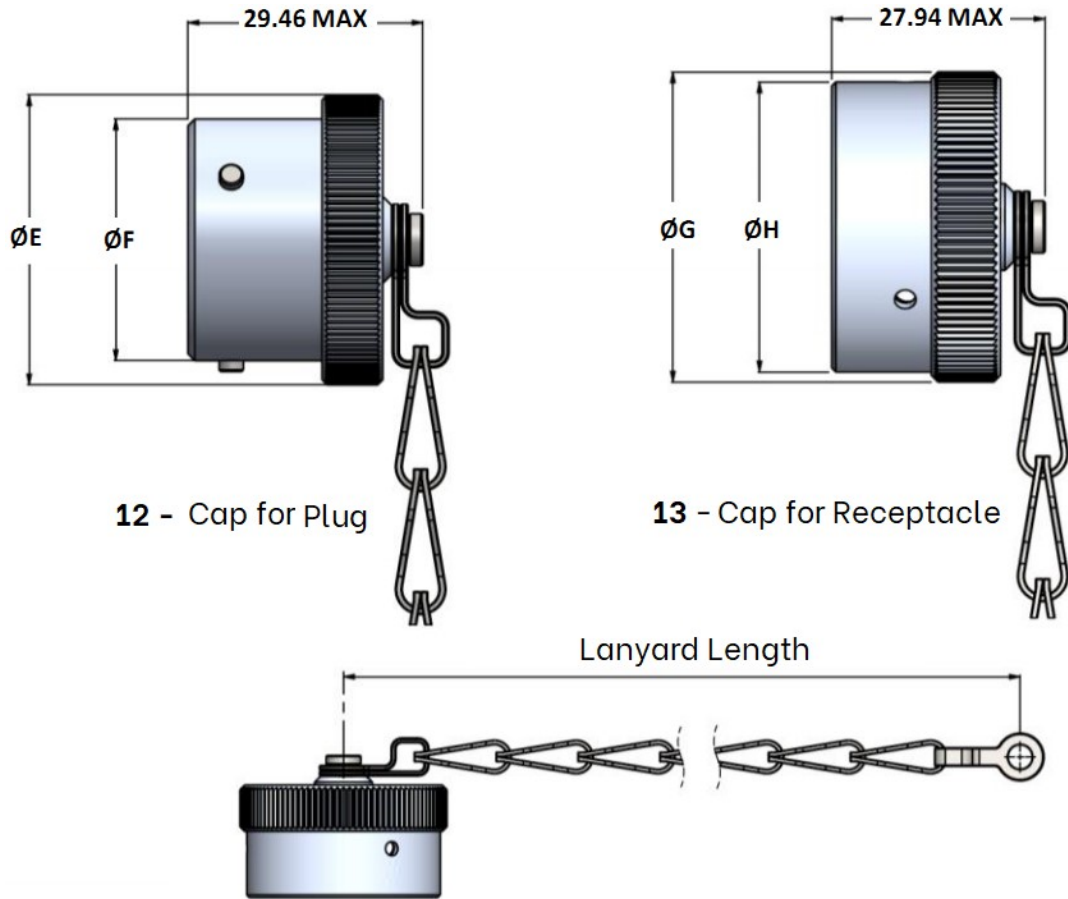
Series	MIL STYLE	TE/POLAMCO	GLENAIR
Series 12	MS27501	PPC27501	660-012
Series 13	MS27502	PRC27502	660-013
Series 22	MS27510	PPC27510	660-014
Series 23	MS27511	PRC27511	660-015
Series 32	D38999/32	100P237	660-023
Series 33	D38999/33	100P160	660-024
Series 42	D38999/51	100P609	660-031
Series 43	D38999/52	100P608	660-032
Series 52	MS3180	PPC3180	660-008
Series 53	MS3181	PRC3181	660-009
Series 62	AS25042	100P1167	660-004
Series 63	AS25043	100P1240	660-005
Series 72	VG95234KB VG95234KC	–	–
Series 73	VG95234KR VG95234KA	–	–

Dummy Stowage Receptacles

Series	MIL STYLE	TE/POLAMCO	GLENAIR
ALDSR-01	VG95234B0D	PC95234DR	VG95234B0D
ALDSR-03	D38999/22	100P939	D38999/22

Series 12 & 13

Protective Caps. MIL-DTL-38999 series 1. MS27501 & MS27502



12 - Cap for Plug

13 - Cap for Receptacle

Ordering information

Basic Series	AL	12	-19	W	-SC	5	-05
Shell type:							
12 – Cap for plug							
13 – Cap for receptacle							
Shell Size							
Material & Finish Code							
Lanyard Options							
Omit – for none							
Lanyard Length (in inches)							
Omit – for none							
Attachment Options:							
Eyelet Option							
Straight Ring Option							
Omit – for none							

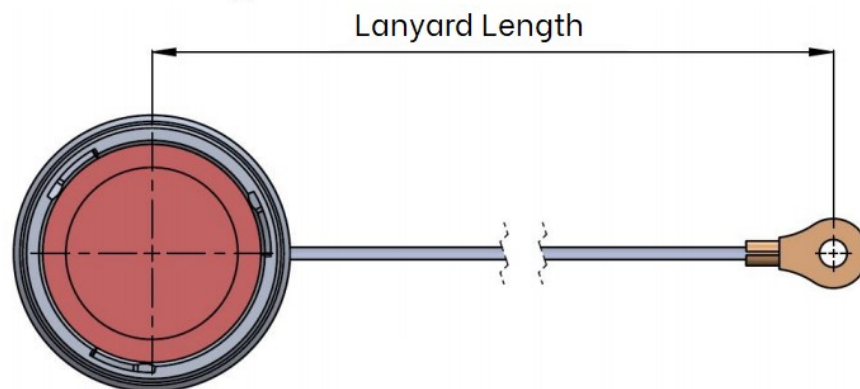
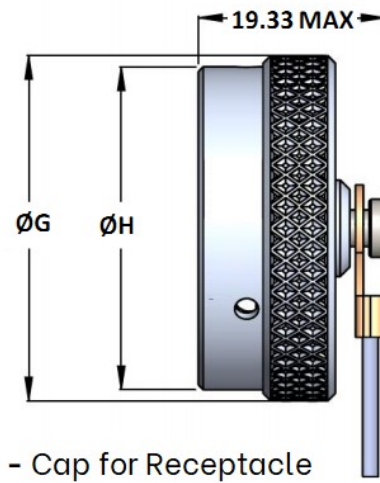
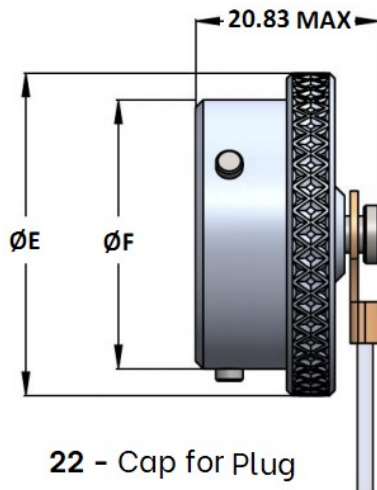


Dimensions

Shell Size	Ø E MAX	Ø F MAX	Ø G MAX	Ø H MAX	Standard Lanyard Length
9	20.80	14.53	21.80	20.80	76.20
11	23.90	17.78	24.90	23.90	76.20
13	27.20	21.59	29.50	27.90	88.90
15	30.20	24.76	32.50	31.00	88.90
17	33.50	27.94	35.80	34.00	88.90
19	36.60	30.66	38.60	37.10	88.90
21	39.90	33.83	41.90	40.10	101.60
23	42.90	37.01	45.00	43.20	101.60
25	46.20	40.18	48.00	46.50	101.60

Series 22 & 23

Protective Caps. MIL-DTL-38999 series 2. MS27510 & MS27511



Ordering information

Basic Series	AL	22	-18	W	-SC	5	-05
Shell type:							
22 – Cap for plug							
23 – Cap for receptacle							
Shell Size							
Material & Finish Code							
Lanyard Options							
Omit – for none							
Lanyard Length (in inches)							
Omit – for none							
Attachment Options:							
Eyelet Option							
Straight Ring Option							
Omit – for none							

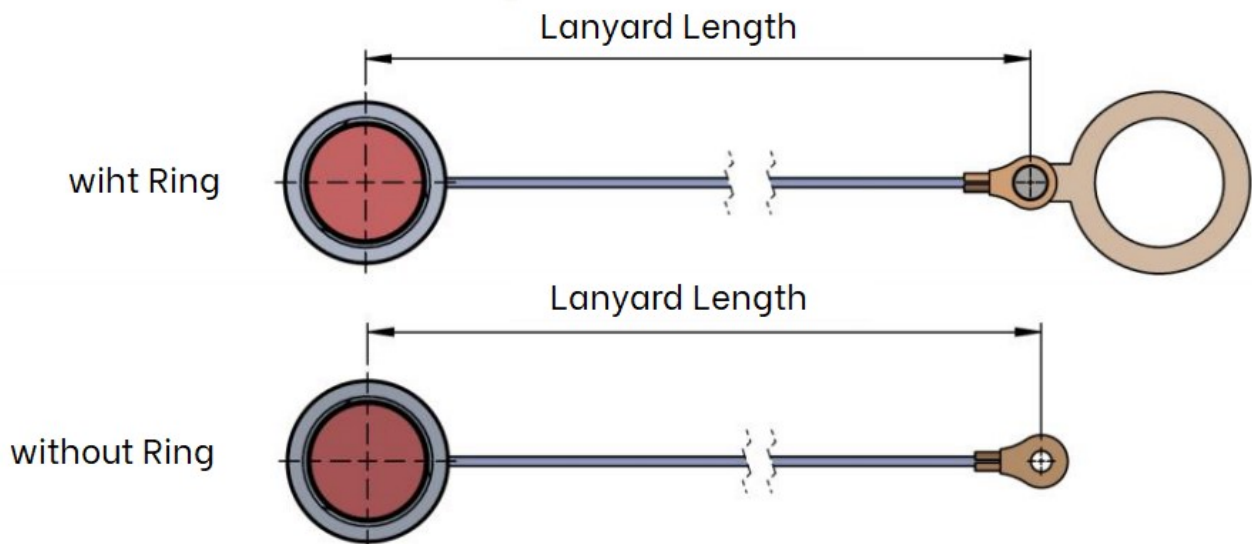
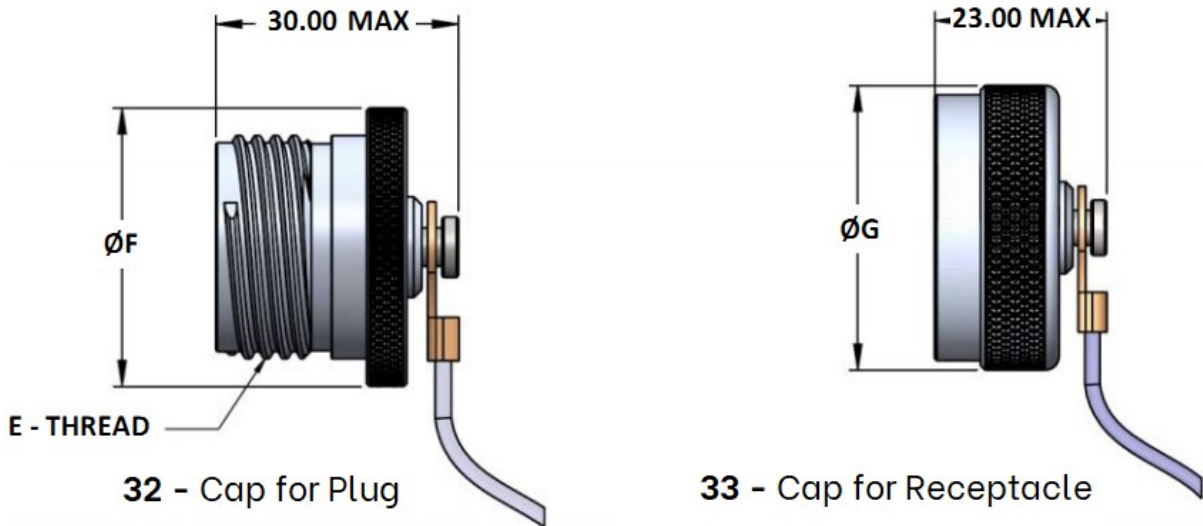


Dimensions

Shell Size	Ø E MAX	Ø F MAX	Ø G MAX	Ø H MAX	Standard Lanyard Length
8	18.30	12.00	19.05	16.00	76.20
10	21.60	15.00	21.82	19.33	76.20
12	25.40	19.10	26.19	23.77	88.90
14	28.70	22.20	29.36	27.28	88.90
16	31.80	25.40	32.54	29.77	88.90
18	35.10	28.60	35.71	33.12	88.90
20	38.10	31.80	38.89	36.45	101.60
22	41.40	34.90	41.68	39.62	101.60
24	44.50	38.10	44.86	42.88	101.60

Series 32 & 33

Protective Caps. MIL-DTL-38999 series 3. D38999/32 & D38999/33



Ordering information

Basic Series	AL	32	-19	W	-TW	5	-1184B
Shell type:							
32 – Cap for plug							
33 – Cap for receptacle							
Shell Size							
Material & Finish Code							
Lanyard Options							
Omit – for none							
Lanyard Length (in inches)							
Omit – for none							
Attachment Options:							
Eyelet Option							
Straight Ring Option							
Omit – for none							

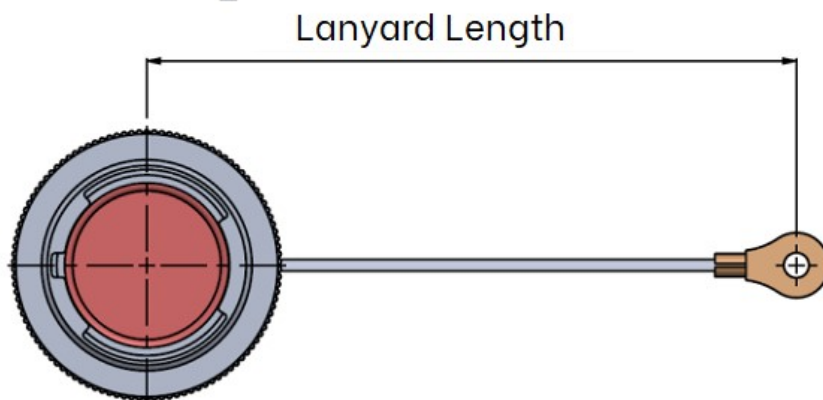
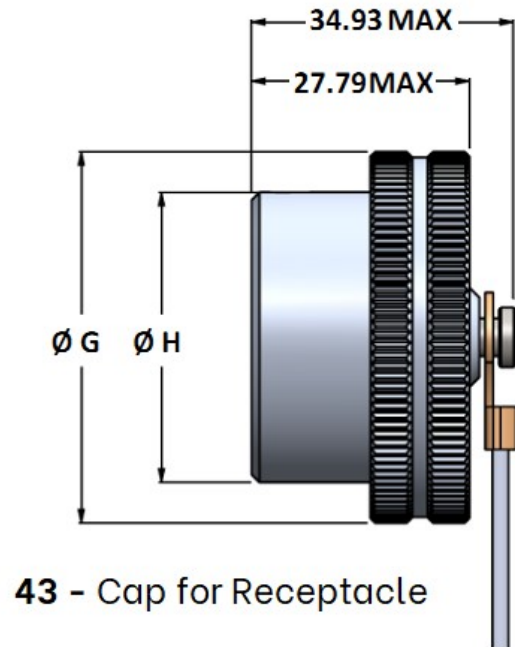
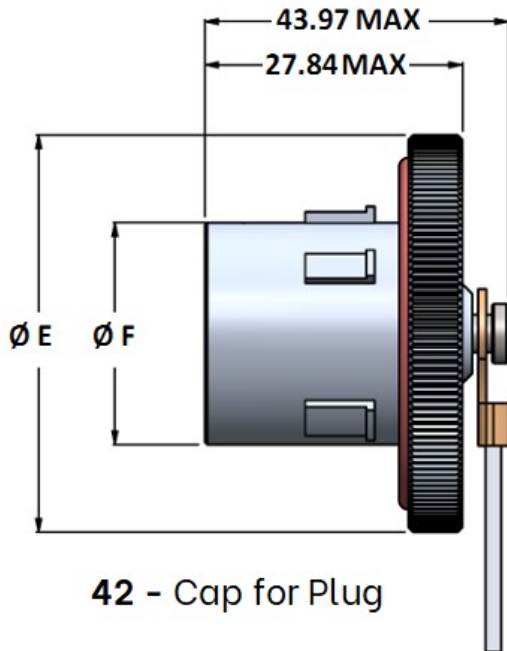


Dimensions

Shell Size	E Thread	Ø F MAX	Ø G MAX	Standard Lanyard Length
9	0.6250-0.1P-0.3L-TS	23.00	23.00	127.00
11	0.7500-0.1P-0.3L-TS	26.00	28.00	127.00
13	0.8750-0.1P-0.3L-TS	31.00	31.00	127.00
15	1.0000-0.1P-0.3L-TS	33.00	32.00	127.00
17	1.1875-0.1P-0.3L-TS	37.00	37.00	127.00
19	1.2500-0.1P-0.3L-TS	40.00	39.00	127.00
21	1.3750-0.1P-0.3L-TS	44.00	42.00	127.00
23	1.5000-0.1P-0.3L-TS	46.00	45.00	127.00
25	1.6250-0.1P-0.3L-TS	50.00	49.00	127.00

Series 42 & 43

Protective Caps. MIL-DTL-38999 series 3. D38999/51 & D38999/52



Ordering information

Basic Series	AL	42	-11	W	-Y	5	-265
Shell type:							
42 – Cap for plug							
43 – Cap for receptacle							
Shell Size							
Material & Finish Code							
Lanyard Options							
Omit – for none							
Lanyard Length (in inches)							
Omit – for none							
Attachment Options:							
Eyelet Option							
Straight Ring Option							
Omit – for none							

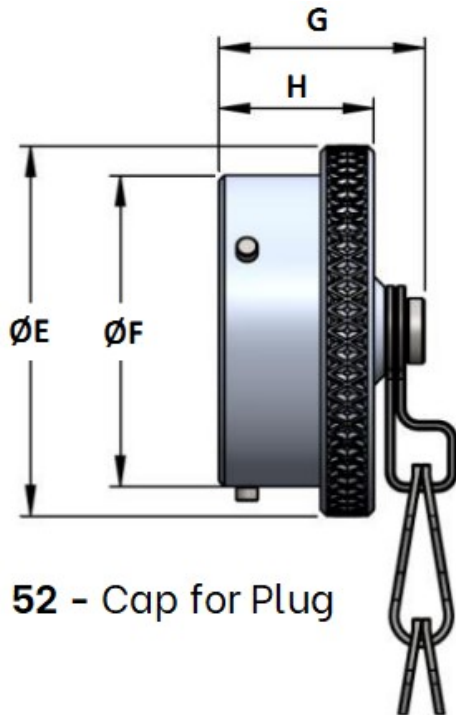


Dimensions

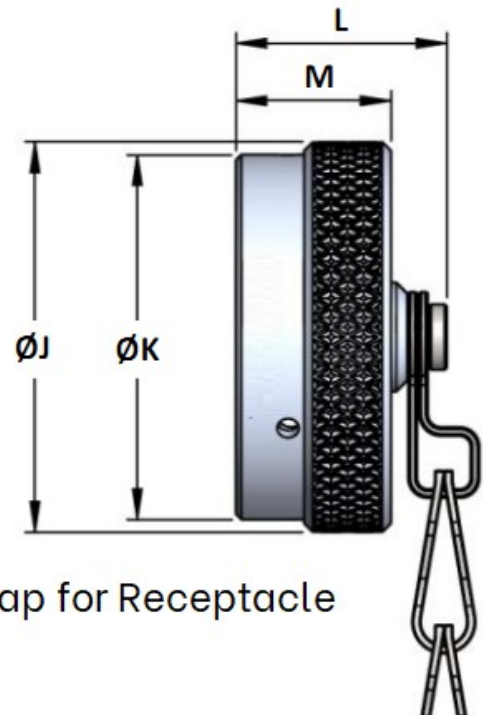
Shell Size	Ø E MAX	Ø F MAX	Ø G MAX	Standard Lanyard Length
11	35,05	12,92	26,59	19,18
13	39,88	16,10	30,99	22,86
15	42,17	19,28	34,19	26,42
17	49,47	22,48	37,39	29,21
19	48,77	25,63	40,21	32,39
21	52,33	28,80	43,31	35,56
23	57,15	31,98	46,50	38,74
25	60,45	35,15	49,71	41,91

Series 52 & 53

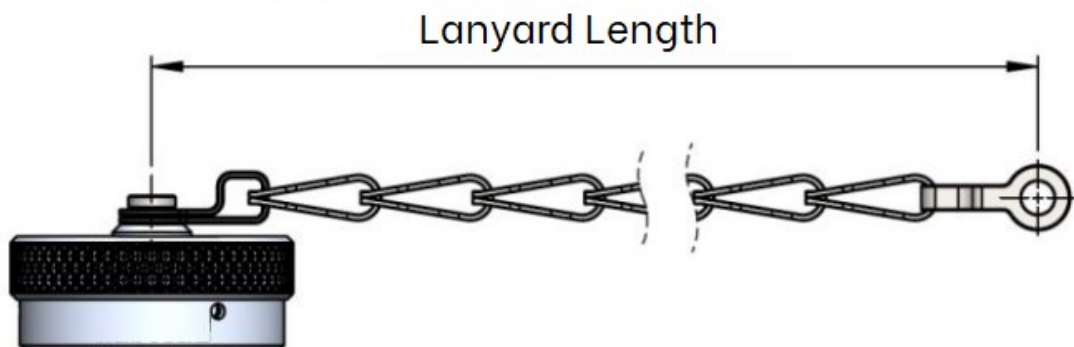
Protective Caps. MIL-DTL-26482 series 1 & 2. MS3181 & MS3180



52 - Cap for Plug



53 - Cap for Receptacle



Ordering information

Basic Series	AL	52	-18	W	-Y	5	-429
Shell type:							
52 – Cap for plug							
53 – Cap for receptacle							
Shell Size							
Material & Finish Code							
Lanyard Options							
Omit – for none							
Lanyard Length (in inches)							
Omit – for none							
Attachment Options:							
Eyelet Option							
Straight Ring Option							
Omit – for none							

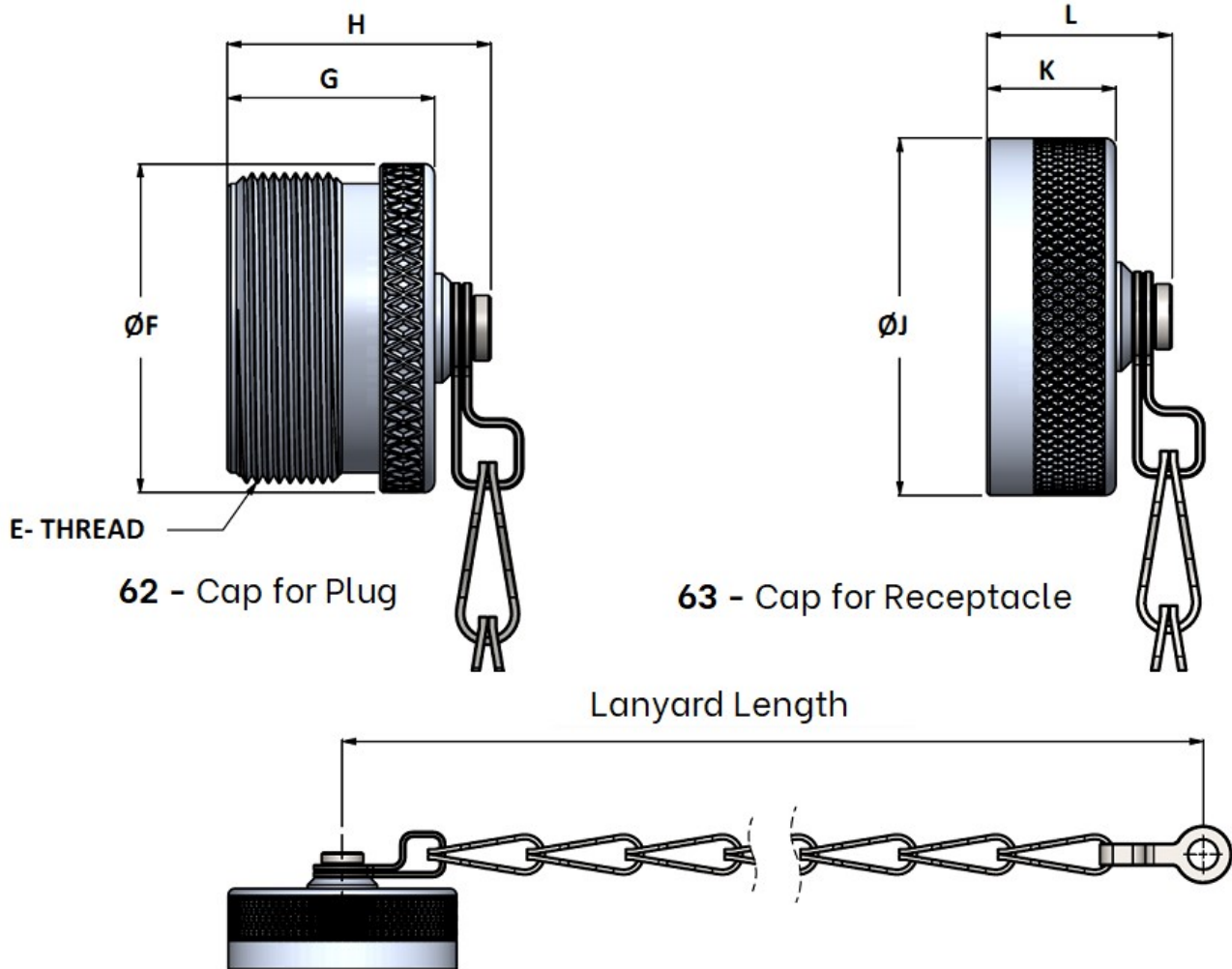


Dimensions

Shell Size	Ø E MAX	Ø F MAX	Ø G MAX	Ø H MAX	Ø J MAX	Ø K MAX	L MAX	M MAX	Standard Lanyard Length
8	18.26	12.01	19.84	14.27	18.64	16.14	21.44	14.27	76.20
10	21.44	14.99	19.84	14.27	21.82	19.32	21.44	14.27	76.20
12	25.40	19.05	19.84	14.27	25.40	22.90	21.44	14.27	88.90
14	28.58	22.22	19.84	14.27	28.58	26.08	21.44	14.27	88.90
16	31.75	25.40	19.84	14.27	31.75	29.25	21.44	14.27	88.90
18	34.92	28.58	19.84	14.27	34.92	32.42	21.44	14.27	88.90
20	38.10	31.75	21.44	15.88	38.10	35.60	21.44	14.27	101.60
22	41.28	34.92	21.44	15.88	41.28	38.78	21.44	14.27	101.60
24	44.45	38.10	22.22	16.71	44.45	41.95	22.22	15.29	101.60

Series 62 & 63

Protective Caps. MIL-DTL-5015 (thread, crimp, MS34)
MS25042 & MS25043



Ordering information

Basic Series	AL	62	-18	W	-SC	5	-08
Shell type:							
62 – Cap for plug							
63 – Cap for receptacle							
Shell Size							
Material & Finish Code							
Lanyard Options							
Omit – for none							
Lanyard Length (in inches)							
Omit – for none							
Attachment Options:							
Eyelet Option							
Straight Ring Option							
Omit – for none							



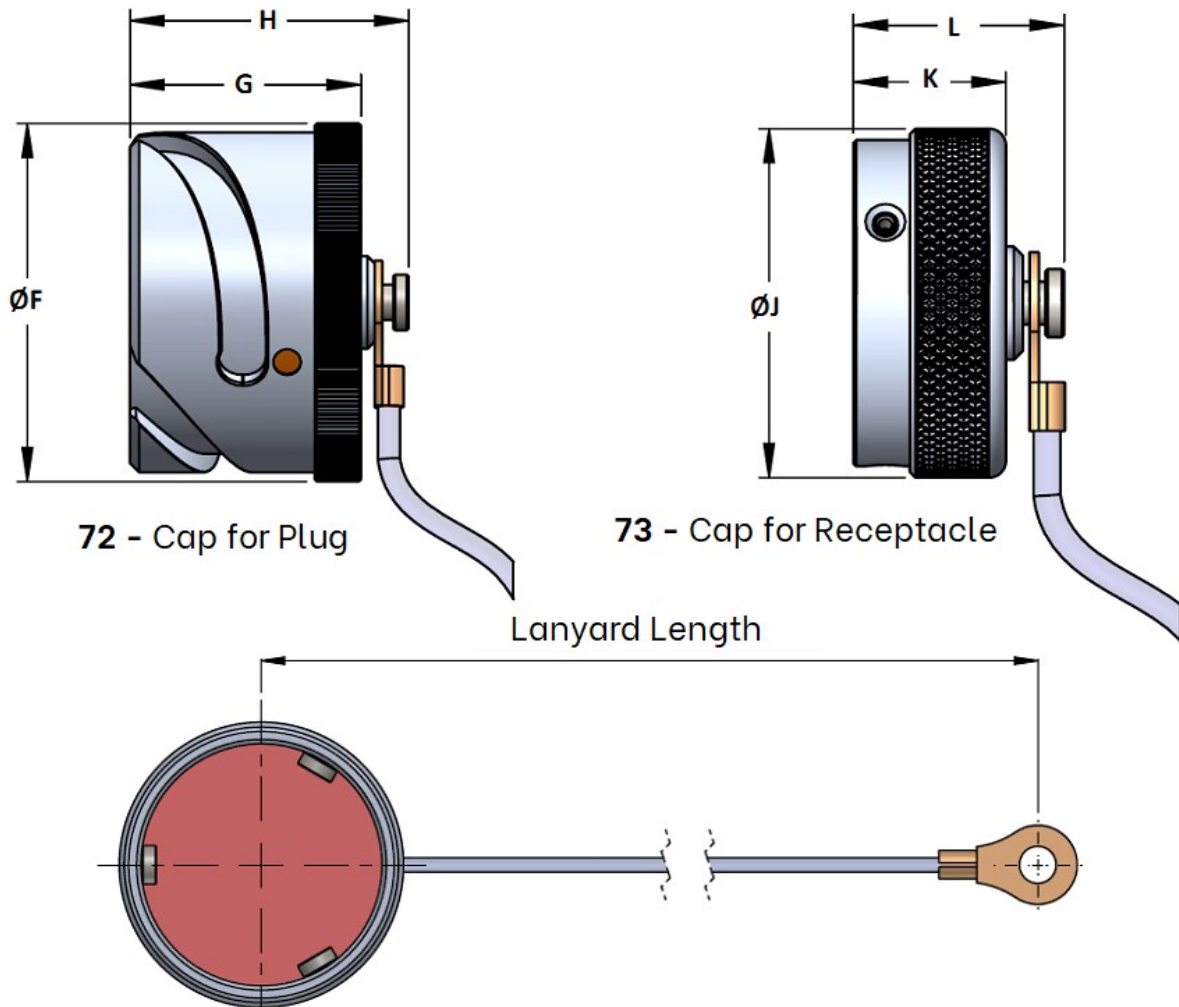
Dimensions

Shell Size	E Thread	Ø F MAX	G MAX	H MAX	Ø J MAX	K MAX	L MAX	Standard Lanyard Length
8	1/2 - 28 UNEF	14.30	16.70	24.61	17.50	11.80	19.05	101.60
10	5/8 - 24 UNEF	17.40	16.70	24.61	20.70	11.80	19.05	101.60
12	3/4 - 20 UNEF	20.60	21.40	29.36	25.40	11.80	19.05	114.30
14	7/8 - 20 UNEF	23.80	21.40	29.36	28.60	11.80	19.05	114.30
16	1 - 20 UNEF	27.00	21.40	29.36	30.20	11.80	19.05	114.30
18	1 1/8 - 18 UNEF	30.10	21.40	29.36	34.10	11.80	19.05	114.30
20	1 1/4 - 18 UNEF	33.30	21.40	29.36	37.30	11.80	19.05	127.00
22	1 3/8 - 18 UNEF	36.50	21.40	29.36	40.50	11.80	19.05	127.00
24	1 1/2 - 18 UNEF	39.70	21.40	29.36	43.70	11.80	19.05	139.70
28	1 3/4 - 18 UNS	46.00	21.40	29.36	50.00	13.50	20.62	196.85
32	2 - 18 UNS	52.40	21.40	29.36	56.40	13.50	20.62	196.85
36	2 1/4 - 16 UN	58.70	21.40	29.36	62.70	13.50	20.62	196.85
40	2 1/2 - 16 UN	65.10	21.40	29.36	69.10	13.50	20.62	196.85
44	2 3/4 - 16 UN	71.40	21.40	29.36	75.40	13.50	20.62	196.85
48	3 - 16 UN	77.80	21.40	29.36	81.00	13.50	20.62	196.85

Series 72 & 73

Protective Caps. MIL-DTL-5015 & VG95234 (bayonet)

VG95234KB, VG95234KC, VG95234KR & VG95234KA



Ordering information

Basic Series	AL	72	-18	W	-SC	5	-08
Shell type:							
72 – Cap for plug							
73 – Cap for receptacle							
Shell Size							
Material & Finish Code							
Lanyard Options							
Omit – for none							
Lanyard Length (in inches)							
Omit – for none							
Attachment Options:							
Eyelet Option							
Straight Ring Option							
Omit – for none							

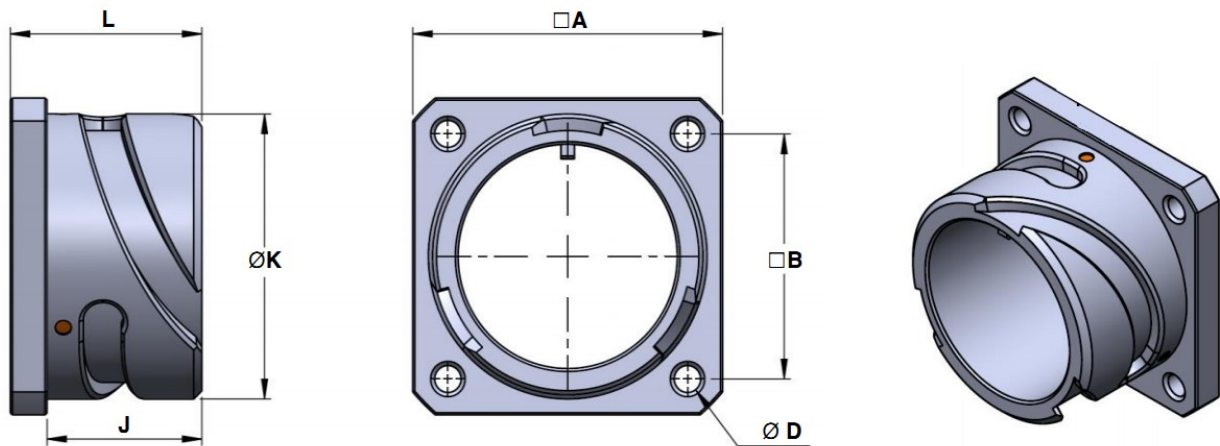


Dimensions

Shell Size	E MAX	F MAX	G MAX	H MAX	J MAX	K MAX	L MAX	Standard Lanyard Length
10SL	20.50	29.00	24.00	23.00	16.50	21.50	101.60	20.50
14S	27.00	29.00	24.00	30.00	16.50	21.50	114.30	27.00
16S	29.50	29.00	24.00	32.50	16.50	21.50	114.30	29.50
16	29.50	37.20	32.50	32.50	21.00	26.00	120.65	29.50
18	33.00	37.20	32.50	37.00	21.00	26.00	120.65	33.00
20	36.50	37.20	32.50	40.50	21.00	26.00	139.70	36.50
22	39.50	37.20	32.50	43.50	21.00	26.00	139.70	39.50
24	43.00	37.20	32.50	47.00	21.00	26.00	139.70	43.00
28	49.00	37.20	32.50	54.00	21.00	26.00	190.50	49.00
32	55.50	38.40	33.70	60.50	21.00	26.00	190.50	55.50
36	62.00	38.40	33.70	67.00	21.00	26.00	190.50	62.00

Seeries ALDSR-01

Dummy Stowage Receptacles. MIL-DTL-5015, VG95234 (bayonet)
VG95234B0D



Ordering information

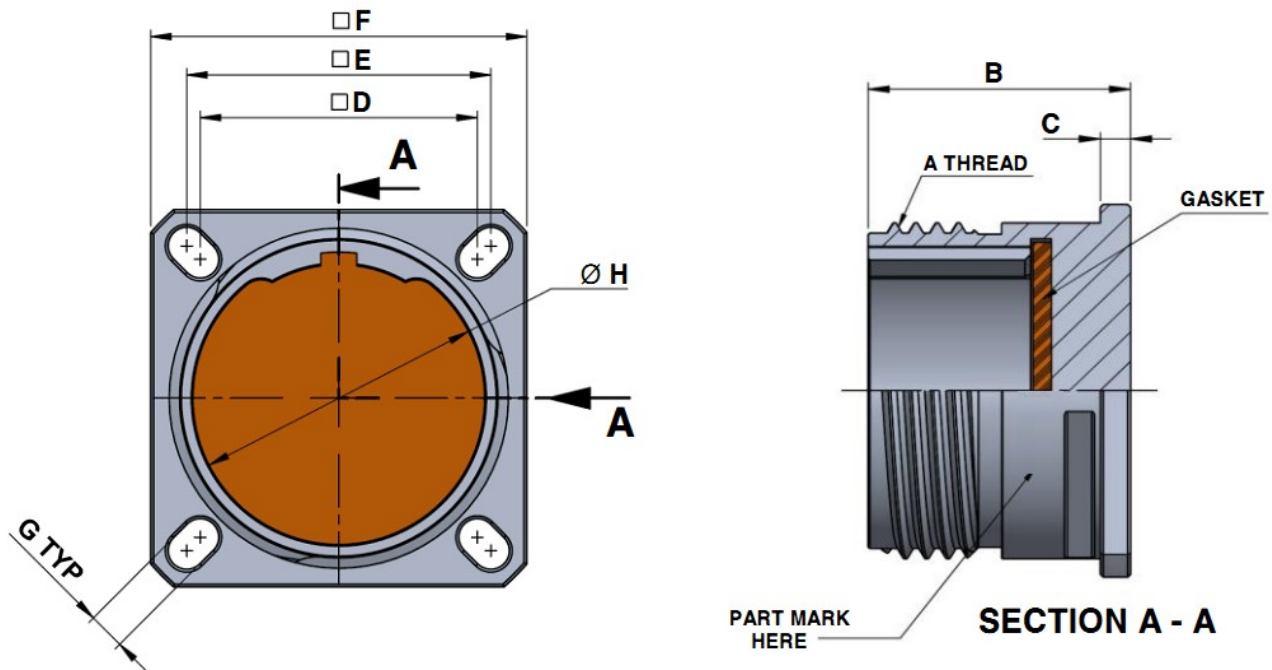
Basic Series	ALDSR-01	-18	W
Shell Size			
Material & Finish Code			

Dimensions

Shell Size	A	B	D	J MAX	K	L MAX
10SL	25.40	18.20	3.20	14.20	18.20	17.50
12S	28.00	20.60	3.20	14.20	21.40	18.00
14S	30.00	23.00	3.20	14.20	24.60	18.00
16S	32.50	24.60	3.20	14.20	27.40	18.00
16	32.50	24.60	3.20	19.00	27.40	23.50
18	35.00	27.00	3.20	19.00	30.80	23.50
20	38.00	29.40	3.20	19.00	34.20	23.50
22	41.00	31.80	3.20	19.00	37.40	23.50
24	44.50	34.90	3.70	20.60	40.90	25.50
28	50.80	39.70	3.70	20.60	46.70	25.50
32	57.00	44.50	4.30	22.20	53.40	27.00
36	63.50	49.20	4.30	22.20	59.60	27.00

Series ALDSR-03

Dummy Stowage Receptacles. MIL-DTL-38999 series 3. D38999/22



Ordering information

Basic Series	ALDSR-03	-19	W
Shell Size			
Material & Finish Code			

Dimensions

Shell Size	A Thread	B MAX	G MAX	D	E	F MAX	G ± 0.20	Ø H
9	0.6250-0.1P-0.3L-TS	21.40	2.80	15.10	18.30	24.10	3.30	12.50
11	0.7500-0.1P-0.3L-TS	21.40	2.80	18.30	20.60	26.50	3.30	15.70
13	0.8750-0.1P-0.3L-TS	21.40	2.80	20.60	23.00	28.90	3.30	19.50
15	1.0000-0.1P-0.3L-TS	21.40	2.80	23.00	24.60	31.30	3.30	22.70
17	1.1875-0.1P-0.3L-TS	21.40	2.80	24.60	27.00	33.60	3.30	25.90
19	1.2500-0.1P-0.3L-TS	21.40	2.80	27.00	29.40	36.80	3.30	28.50
21	1.3750-0.1P-0.3L-TS	20.60	3.50	29.40	31.80	40.00	3.30	31.70
23	1.5000-0.1P-0.3L-TS	20.60	3.50	31.80	34.90	43.20	3.90	34.90
25	1.6250-0.1P-0.3L-TS	20.60	3.50	34.90	38.10	46.30	3.90	38.10

CÔNG TY TNHH RỒNG VÀNG TECHNOLOGY

**Địa chỉ: 48/5 Vĩnh Xuân, Phường Vĩnh thái,
Thành Phố Nha Trang, Tỉnh Khánh Hòa**

SĐT: +84 79.219.2707

www.rong-vang-technology.vn

www.rong-vang-technology.vn