



RỒNG VÀNG
TECHNOLOGY



Rack & Panel Rectangular Connectors
CH049, CH050 Series
substitutes of Russian
SNO49, SNO50

www.rong-vang-technology.vn



Description

Rack & Panel Rectangular electrical connectors CH049 (Single cavity) and CH050 (Double cavity) series are low frequency small size connectors designed for work in electric circuits of direct, alternate (frequency up to 3 MHz) and pulse current

These connectors consist of two parts: Rack plug (Socket contacts) and Equipment receptacle (Pin contacts)

Coupling type – plug-in

Contacts: \varnothing 1 mm and \varnothing 1,5 mm - removable, for crimping

Contact material: Gold over Copper alloy

Connectors are supplied with backshells or without backshells

These connectors are manufactured for inner mounting for all climates in accordance with the technical conditions GEO.364.246 TU



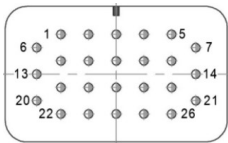

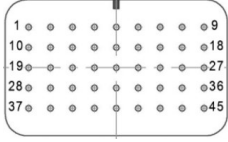

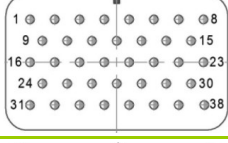

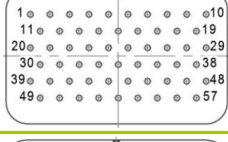

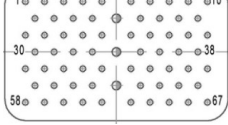


Technical features

Description	Values
Shell material	aluminum
Contact material	copper alloy
Operating temperature	up -60°C to +155°C
Vibration	up 1 Hz to 5000 HZ, 40 g
Impact	500 g once
Max current rating per contact	11 A
Working voltage	700 V
Contact resistance	≤ 5 mΩ
Insulation resistance	≥ 5000 MΩ
Durability	500 cycles
Technical conditions	GEO.364.246 TU

Ordering information

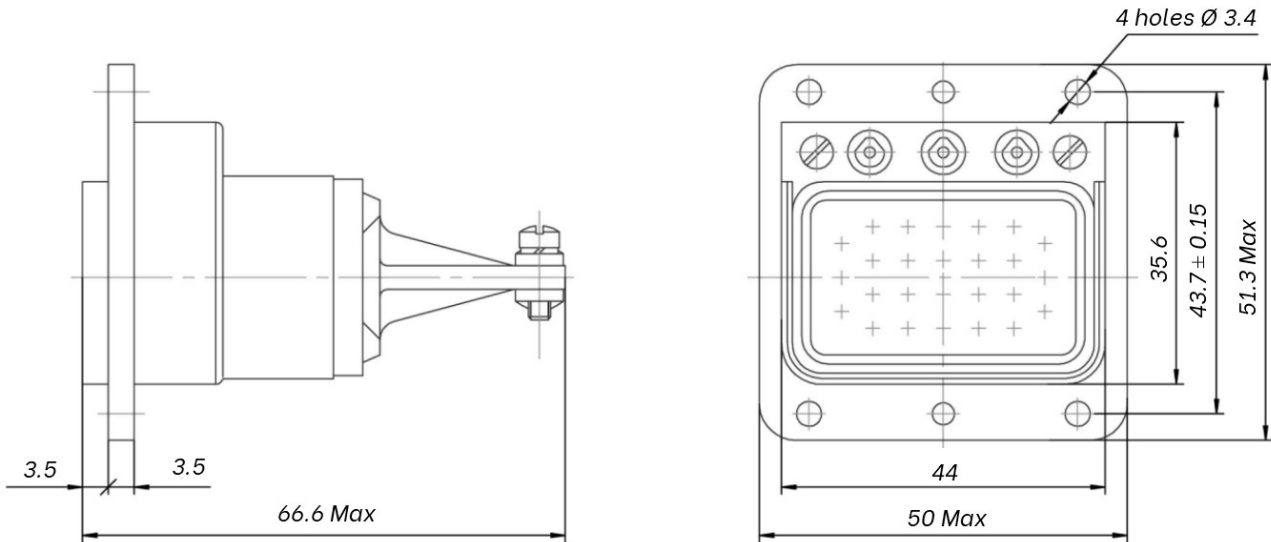
Basic series	CHO	49	-26	/44x36	B	-6	-B
Cavity structure:							
49: Single cavity							
50: Double cavity							
Number of contacts:							
CHO49 (26, 38, 45, 57, 67)							
CHO 50 (52, 64, 71, 76, 83, 90, 93, 95, 102, 105, 112, 114, 124, 134)							
Shell Size (length x width):							
Receptacles: 44x36 (CHO49); 63x44 (CHO50)							
Plugs: 43x34 (CHO49); 60x43 (CHO50)							
Contact Type:							
B: Pin for Receptacle only							
P: Socket for Plugs only							
Equipping with Backshells:							
6: without backshell							
7: with backshell							
Contact combination form (for CHO50 only):							
a: the sum of the number of contacts if Contact layouts 1 and 4 are used							
b: the sum of the number of contacts if Contact layouts 2 and 3 are used							
Omit: for other Contact combination form							
All weather (Obligatory suffix)							

Contact layouts

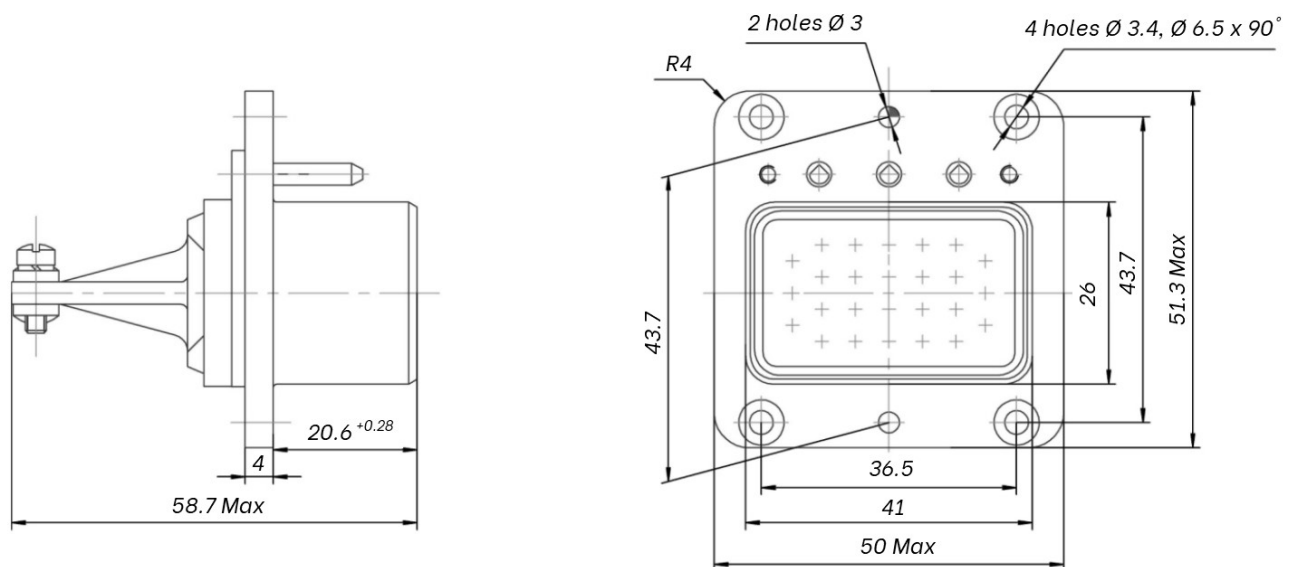
Contact Layout	View	Contact Symbol	Contacts Size	Number of Contacts	Current Rating per Contact, A	
					CHO49	CHO50
1			1.5	26	11.0	9.0
2			1.0	45	6.0	6.0
3			1.5	38	10.0	8.0
4			1.0	57	5.5	5.5
5			1.0	64	5.5	5.0
			1.5	3	7.0	7.0

Dimensions

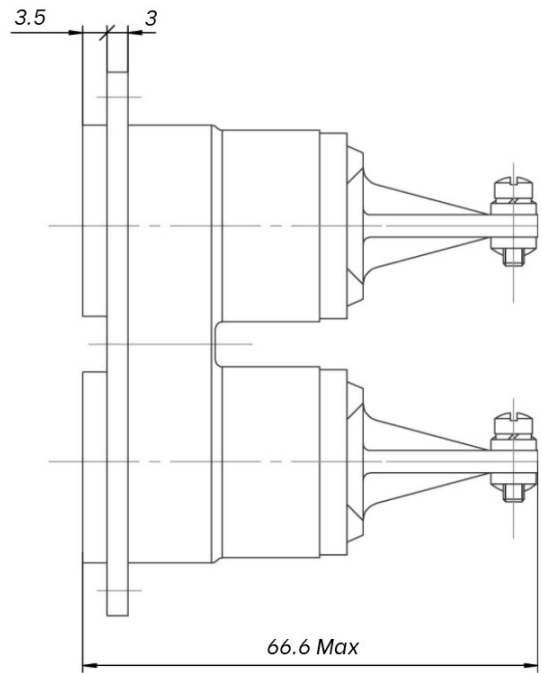
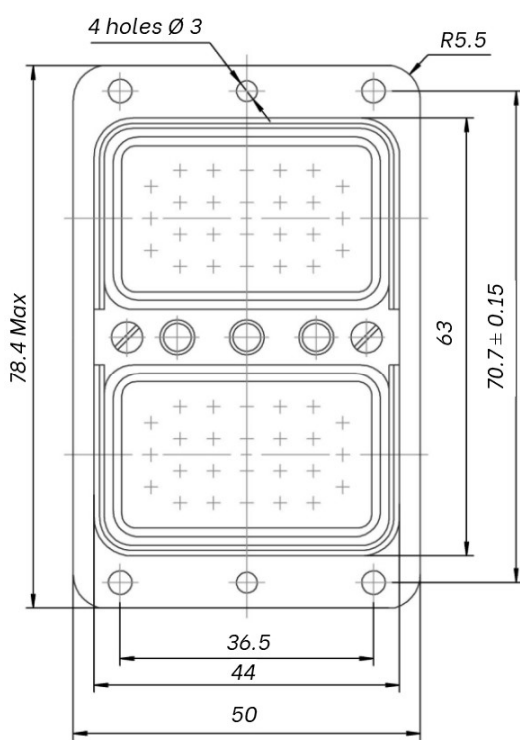
Receptacle CHO49, with backshell



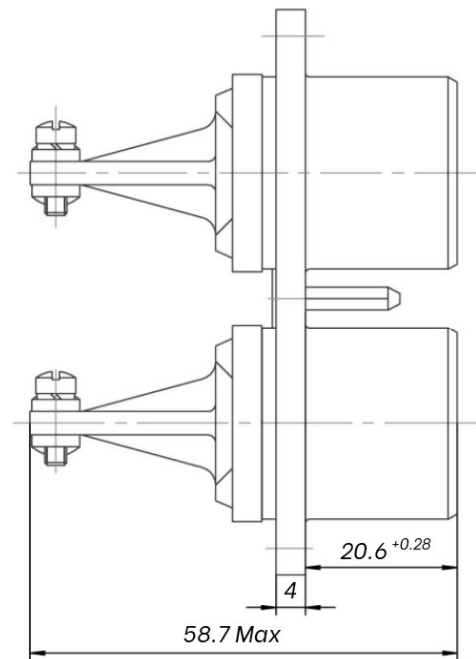
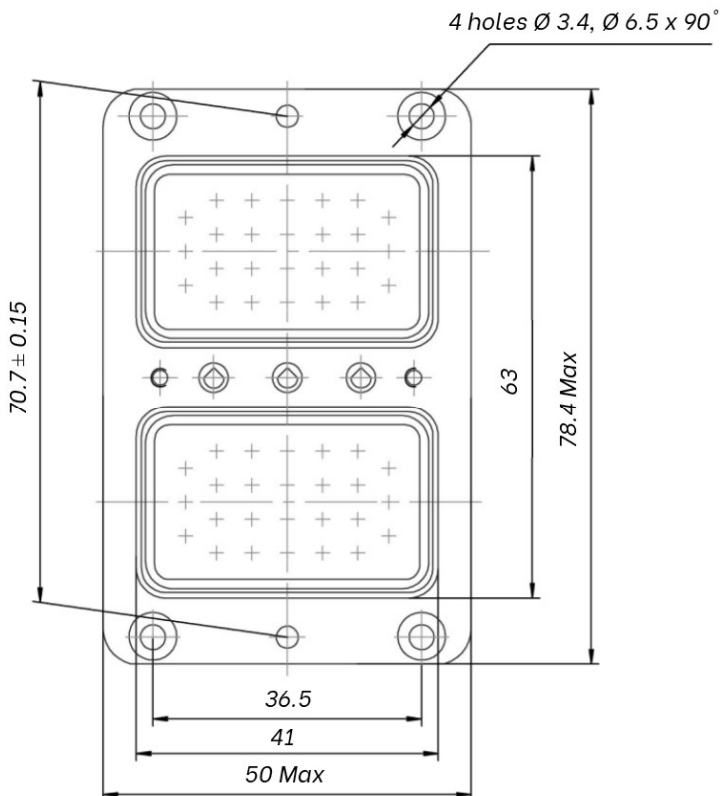
Plug CHO49, with backshell



Receptacle CHO50, with backshell



Plug CHO50, with backshell



CÔNG TY TNHH RỒNG VÀNG TECHNOLOGY

**Địa chỉ: 48/5 Vĩnh Xuân, Phường Vĩnh thái,
Thành Phố Nha Trang, Tỉnh Khánh Hòa**

SĐT: +84 79.219.2707

www.rong-vang-technology.vn

www.rong-vang-technology.vn