



**RỒNG VÀNG
TECHNOLOGY**



Small Rectangular Electrical Connector

CFMM1 series

substitutes of Russian RPMM1

www.rong-vang-technology.vn



Description

The CFMM1 series of small rectangular electrical connectors (plugs and receptacles) are used for electrical connectors in DC, AC ($\leq 3\text{MHz}$) and pulse current circuits. Contact body silver plated, compatible with Russia RPMM1 series electrical connectors.

These connectors are manufactured for inner mounting at any climate zones in accordance with the specification equal to Russian specification KeO. 364.000TU.



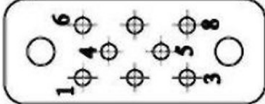
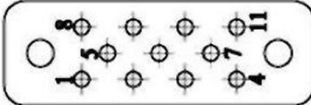
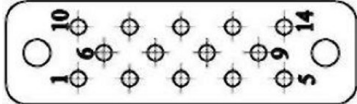
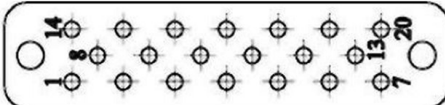
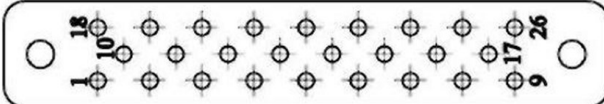
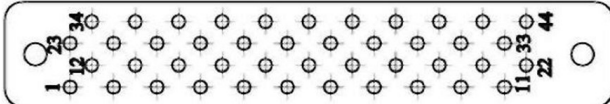
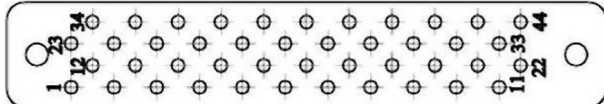
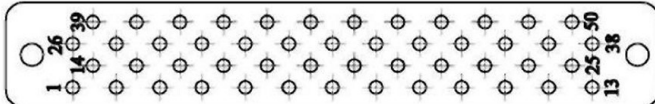
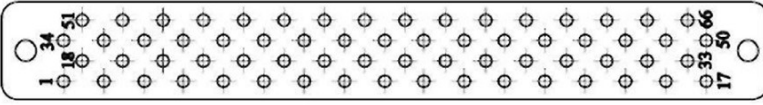
Technical features

Description	Values
Shell material	aluminum
Contact material	copper alloy/silver
Operating temperature	up -60°C to +100°C
Max current rating per contact	5 A
Working voltage	≤ 200 V
Contact resistance	≤ 5 mΩ
Insulation resistance	≥ 10000 MΩ (normal)
Durability	500 cycles
Technical specification	KeO.364.000TU

Ordering information

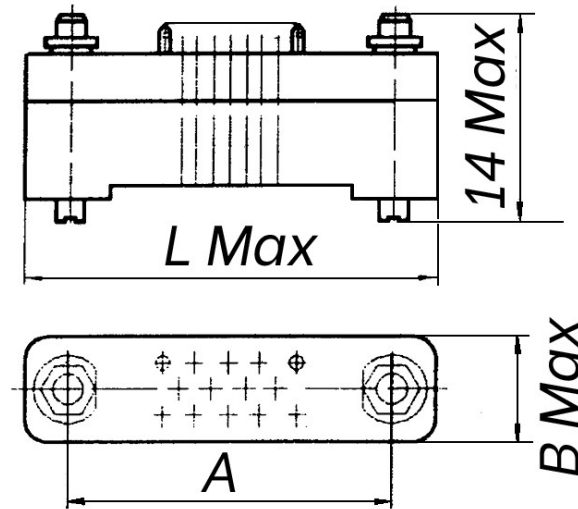
Basic series	CFMM1	-26	J	8	B
Number of Contacts: 8, 11, 14, 20, 26, 35, 44, 50, 66					
Contact Type:					
J: Pin					
K: Socket					
Version Type:					
1: Receptacle without backshell					
3: Receptacle with threaded guide					
6: Plug with straight backshell (consultation needed)					
8: Plug with cable clamp					
9: Plug without backshell					
B: Climate condition (All weather)					

Contact layouts

Contact layouts	Number of contacts
	8
	11
	14
	20
	26
	35
	44
	50
	66

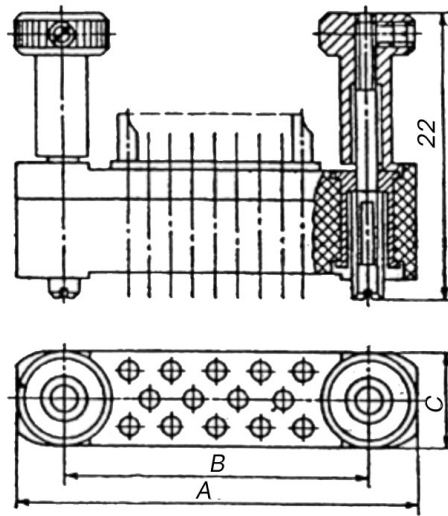
Dimensions

Receptacle (socket contacts) with threaded guide, version 3



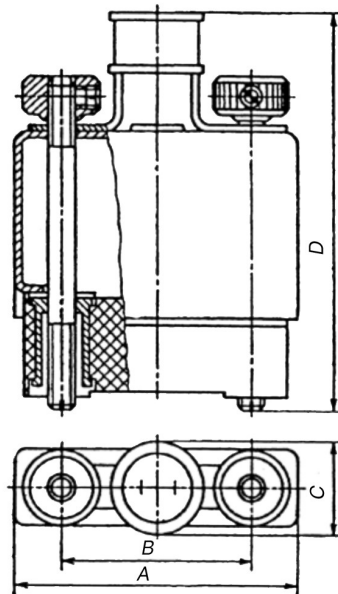
Number of contacts	A	B	L
8	22.5	15.0	7
11	25.0	17.0	7
14	27.5	20.0	7
20	32.5	25.0	7
26	37.5	30.0	7
35	45.0	37.5	7
44	43.75	36.3	9
50	47.5	40.0	9
60	57.5	50.0	9

Receptacle (pin contacts) with threaded guide, version 3



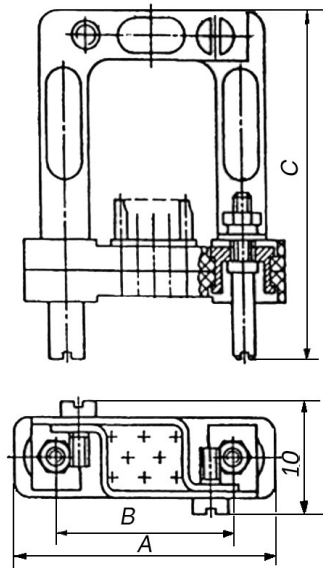
Number of contacts	A	B	L
8	22.5	15.0	7
11	25.0	17.0	7
14	27.5	20.0	7
20	32.5	25.0	7
26	37.5	30.0	7
35	45.0	37.5	7
44	43.75	36.3	9
50	47.5	40.0	9
60	57.5	50.0	9

Plug with straight backshell, version 6, (consultation needed)



Number of contacts	A	B	C	D
8	23.6	15.0	8	35
11	26.0	17.0	9	35
14	28.5	20.0	10	35
20	33.5	25.0	12	35
26	38.5	30.0	13	39
35	46.0	37.5	14	39
44	44.75	36.25	16	39
50	48.5	40.0	17	39
60	58.5	50.0	20	39

Plug (socket contacts) with cable clamp, version 8



Number of contacts	A	B	C
8	22.5	15.0	31
11	25.0	17.0	31
14	27.5	20.0	31
20	32.5	25.0	31
26	37.5	30.0	36
35	45.0	37.5	36
44	43.75	36.3	36
50	47.5	40.0	36
60	57.5	50.0	36

CÔNG TY TNHH RỒNG VÀNG TECHNOLOGY

**Địa chỉ: 48/5 Vĩnh Xuân, Phường Vĩnh thái,
Thành Phố Nha Trang, Tỉnh Khánh Hòa**

SĐT: +84 79.219.2707

www.rong-vang-technology.vn

www.rong-vang-technology.vn