



**RỒNG VÀNG  
TECHNOLOGY**



**Ultra-Small Electrical Connector**

**PY04 Series**

**unsealed versions**

**substitutes of Russian RS**

[www.rong-vang-technology.vn](http://www.rong-vang-technology.vn)



## Description

Connectors of PY04 type intended for use in DC, AC (frequency up to 3 MHz) and pulse currents (pulse period up 1 to 60 sec)

Connectors of PY04 type consist of unsealed Plugs with backshell and unsealed Receptacles without backshell

Coupling type: thread

Contacts:  $\varnothing$  1 mm, non-removable, for soldering wires

Contact plating: silver

These connectors are manufactured for inner mounting for all climates



## Technical features

Description	Values
Shell material	aluminum
Contact material	copper alloy
Operating temperature	up -55°C to +125°C
Vibration	up 10 Hz to 2000 HZ, 15 g
Impact	500 g once and 50 g multiple times
Max current rating per contact	5 A
Max current per the whole connector	up to 40 A (19 contacts)
Working voltage	200 V
Dielectric withstanding voltage	1000 V
Contact resistance	≤ 5 mΩ
Insulation resistance	≥ 1000 MΩ
Durability	500 cycles

## Ordering information

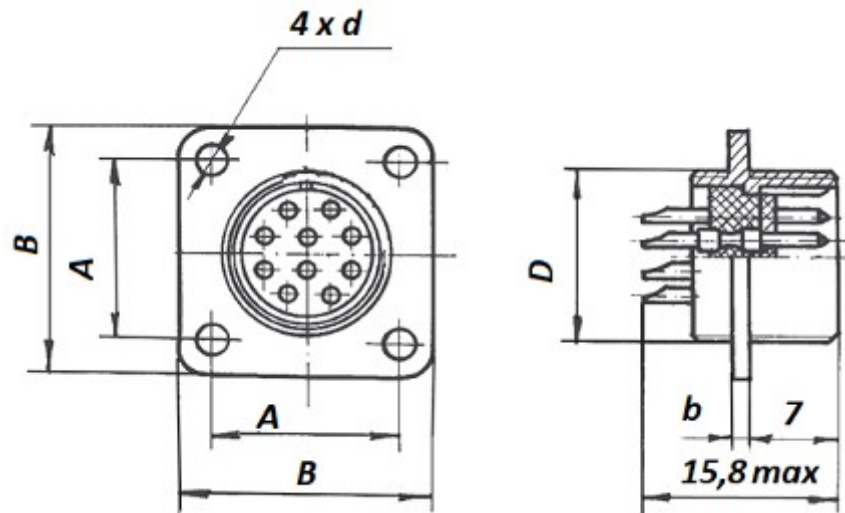
Basic series	PY04	-4	T
Number of contacts: 4, 7, 10, 19, 32, 50			
Connector Type:			
T: Plug with backshell only			
Z: Receptacle without backshell only			

## Contact layouts

Number of contacts	4	7	10	19
Shell size	10	12	14	18

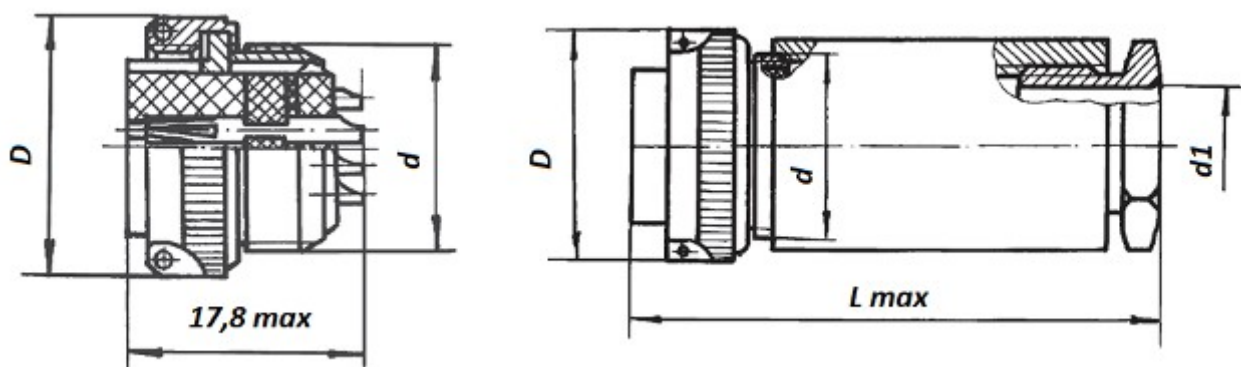
## Dimensions

Receptacles, without backshell



Shell size	D	d	A	B	b
10	M10x0,75	2,2	11,8	16,5	1,4
12	M12x0,75	2,2	13,2	18	1,4
14	M14x0,75	2,2	15	20	1,4
18	M18x0,75	2,2	18	24	1,4

Plugs, with backshell



Shell size	D	d	d1	L, max
10	14	M10x0,75	6	36
12	16	M12x0,75	8	38
14	18	M14x0,75	9	41
18	22,5	M18x0,75	11	43



**CÔNG TY TNHH RỒNG VÀNG TECHNOLOGY**

**Địa chỉ: 48/5 Vĩnh Xuân, Phường Vĩnh thái,  
Thành Phố Nha Trang, Tỉnh Khánh Hòa**

**SĐT: +84 79.219.2707**

**[www.rong-vang-technology.vn](http://www.rong-vang-technology.vn)**

**[www.rong-vang-technology.vn](http://www.rong-vang-technology.vn)**