



**RỒNG VÀNG
TECHNOLOGY**



Circular Electrical Connector ZH23 series

substitutes of Russian SNTs23

www.rong-vang-technology.vn



Description

Connectors of ZH23 type (plugs and receptacles) are designed for use in DC and AC circuits (up to 3 MHz) with voltage up to 700 V (amplitude value)

These connectors consist of two parts: plug and receptacle

Plugs and Receptacles may be equipment-mounting (fixed) as well as cable-mounting (free). Connectors of ZH23 may be manufactured without End Accessories or with End Accessories

Bayonet coupling system

Plugs and Receptacles have five-key

Contact: \varnothing 1 mm; \varnothing 1,5 mm; \varnothing 2 mm

Contact material: Gold over Copper alloy

These connectors are manufactured for inner mounting for all climates in accordance with the technical conditions GEO.364.241TU



Technical features

Description	Values
Shell material	anodized aluminum
Contact material	copper alloy/gold
Insert material	high-temperature resistant epoxy molding compound
Sealing ring material	silicone rubber
Operating temperature	up -60 °C to +200 °C
Vibration	acceleration 40 g (1-5000 HZ)
Impact	acceleration 500 g (once); 150 g (multiple times);
Salt spray resistance	96 h
Relative humidity	up +30°C to +60°C, at 92% - 98%
Durability	500 cycles
Technical conditions	GEO.364.241TU

Electrical

Operating Voltage

Grade	Operating Voltage (V)	Testing voltage (V)
A	700	2100
B	500	1850
C	400	1600

Max current rating per contact

∅ 1.0 mm	∅ 1.5 mm	∅ 2.0 mm
11 A	20 A	35 A

Contact resistance

∅ 1.0 mm	∅ 1.5 mm	∅ 2.0 mm
≤ 7.4 mΩ	≤ 2.5 mΩ	≤ 1.6 mΩ

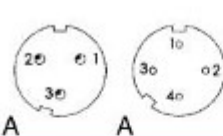
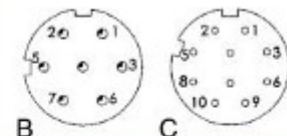
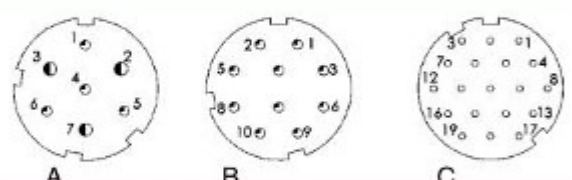

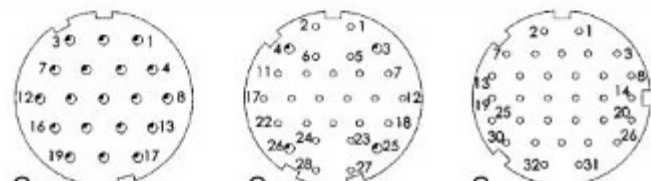
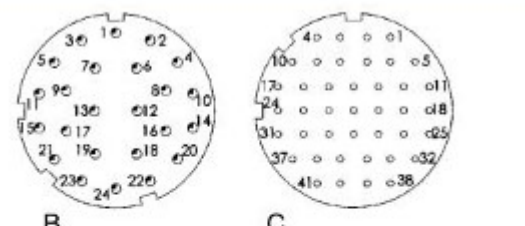
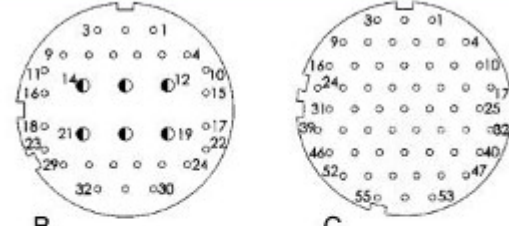
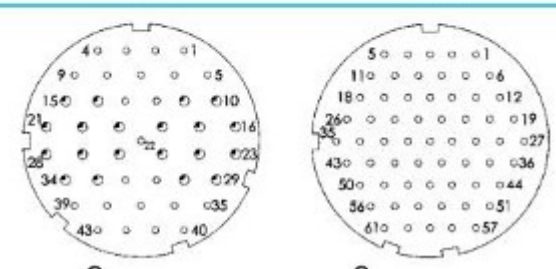
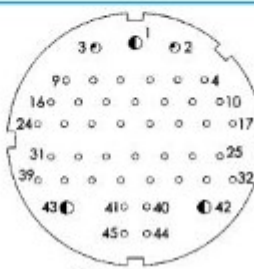
insulation resistance: ≥ 5000 MΩ under 500 Vcc



Ordering information

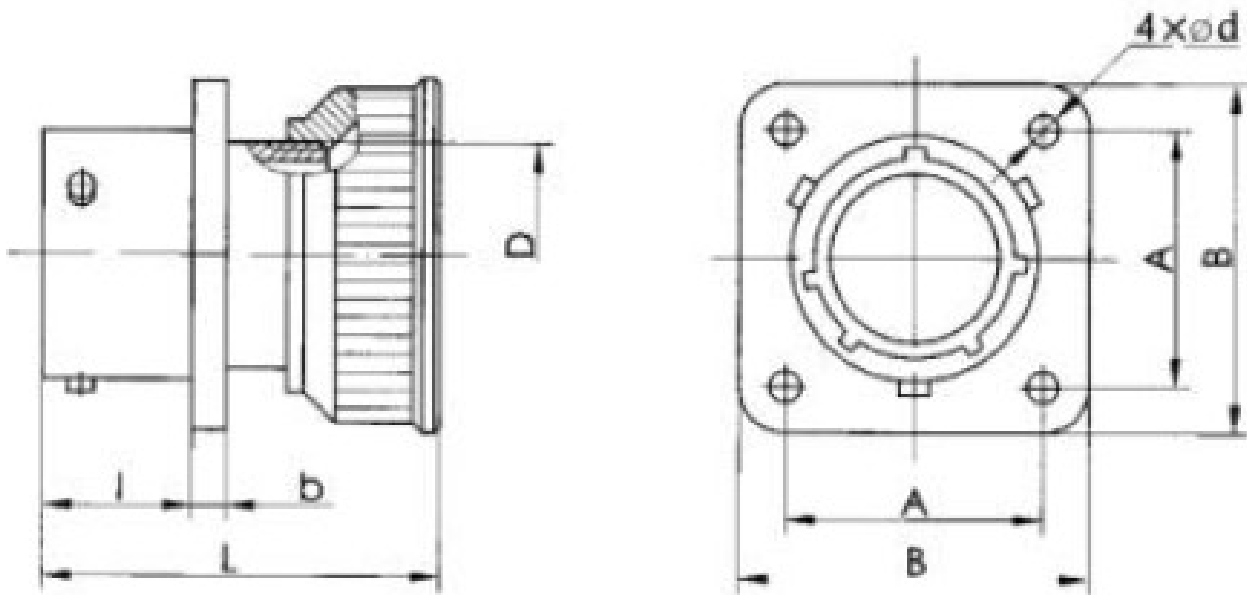
Basic series	ZH23	-3	/14	B(P)	-1	-a	-B
Number of contacts:							
3, 4, 7, 10, 19, 24, 28, 32, 41, 43, 45, 55, 61							
Shell size: 14, 18, 22, 24, 27, 30, 33, 36, 39							
Contact Type:							
B: Pin							
P: Socket							
Connector Type & End Accessories:							
1: Receptacle with backnut							
2: Receptacle with straight Strain Relief							
4: Receptacle with elbow Strain Relief							
6: Plug with straight Strain Relief							
8: Plug with elbow Strain Relief							
11: Plug with backnut							
12: Receptacle with straight Shrink Boot Adapter (09 type)							
13: Plug with straight Shrink Boot Adapter (09 type)							
15: Receptacle with straight EMI/RFI Adapter (05 type) with memory ring							
16: Plug with straight EMI/RFI Adapter (05 type) with memory ring							
17: Receptacle with elbow EMI/RFI Adapter (06 type) with memory ring							
18: Plug with elbow EMI/RFI Adapter (06 type) with memory ring							
19: Receptacle with straight Banding Backshell (07 type)							
20: Plug with straight Banding Backshell (07 type)							
21: Receptacle with straight EMI/RFI Backshell (08 type)							
22: Plug with straight EMI/RFI Backshell (08 type)							
25: Receptacle with elbow Shrink Boot Adapter (10 type)							
26: Plug with elbow Shrink Boot Adapter (10 type)							
27: Receptacle with elbow EMI/RFI Backshell (11 type)							
28: Plug with elbow EMI/RFI Backshell (11 type)							
Orientation: Blank for normal or a, b, c, d							
All weather (Obligatory suffix)							

Contact layouts

			contact diameter	symbol
14	3/14	4/14	1.0mm	○
		7/18	1.5mm	◐
18	10/18		2.0mm	◑
				
22	7/22	10/22		
		19/24		
24				
				
27	19/27	28/27		
		32/27		
30	24/30	41/30		
		32/33		
33				
		55/33		
36	43/36	61/36		
		45/39		
39				
				

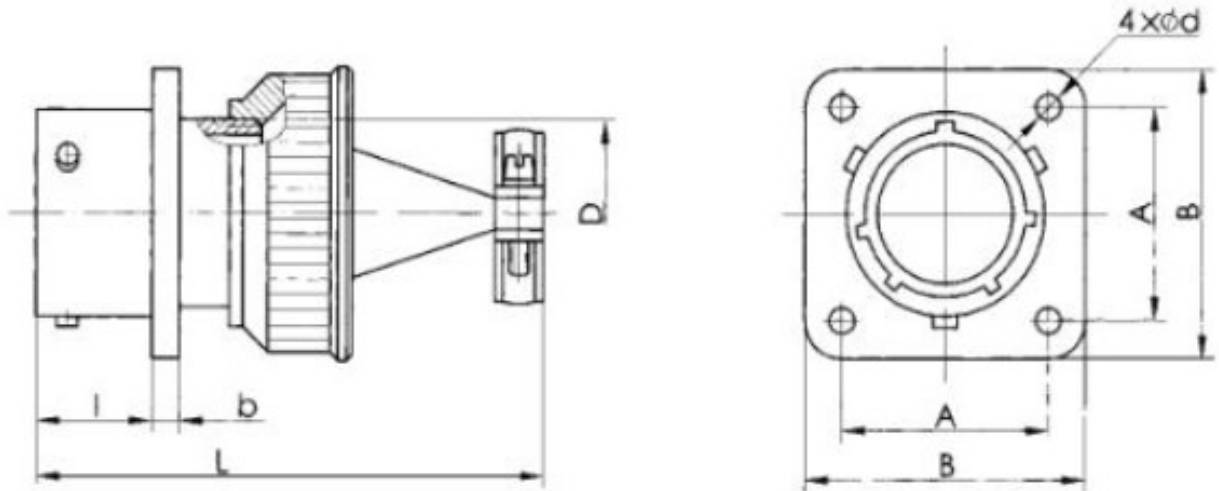
Dimensions

Type 1. Receptacles with backnut



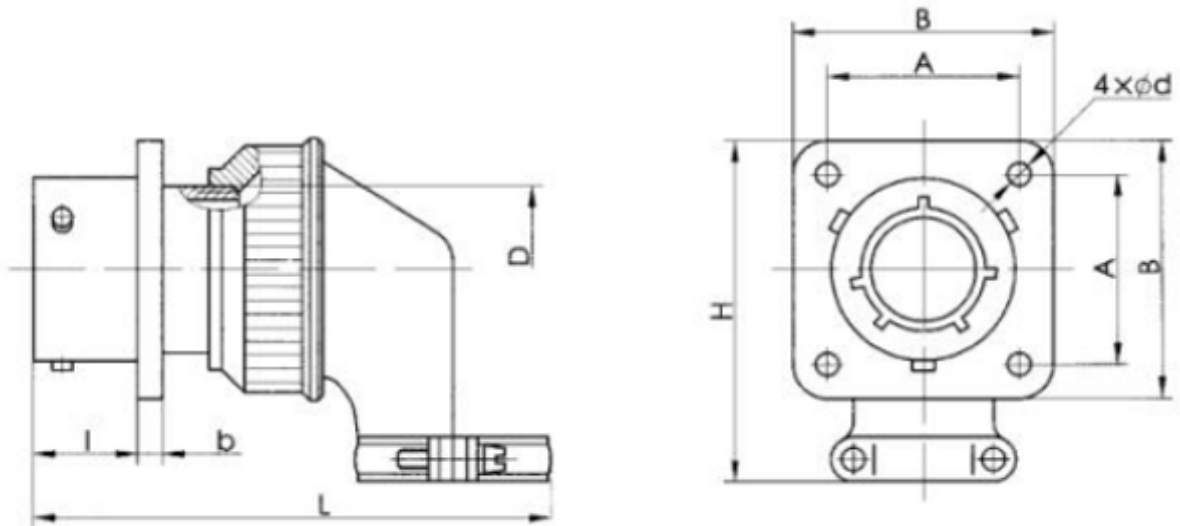
Russian Part No.	ALLCONN Part No.	A	B max	D	d	l max	b max	L max		
CHЦ23-3/14B(P)-1-B	ZH23-3/14B(P)-1-B	16,5	21,7	M14x0,5	2,2	11,3	1,4	32,5		
CHЦ23-4/14B(P)-1-B	ZH23-4/14B(P)-1-B									
CHЦ23-7/18B(P)-1-B	ZH23-7/18B(P)-1-B	19,5	25,9	M18x1	3,2		1,8			
CHЦ23-10/18B(P)-1-B	ZH23-10/18B(P)-1-B									
CHЦ23-7/22B(P)-1-B	ZH23-7/22B(P)-1-B	23	29,4	M22x1			15,3		2	
CHЦ23-10/22B(P)-1-B	ZH23-10/22B(P)-1-B									
CHЦ23-19/22B(P)-1-B	ZH23-19/22B(P)-1-B									
CHЦ23-19/24B(P)-1-B	ZH23-19/24B(P)-1-B	25	31,4	M24x1					14,5	2
CHЦ23-19/27B(P)-1-B	ZH23-19/27B(P)-1-B	27	33,4	M27x1						
CHЦ23-28/27B(P)-1-B	ZH23-28/27B(P)-1-B									
CHЦ23-32/27B(P)-1-B	ZH23-32/27B(P)-1-B									
CHЦ23-24/30B(P)-1-B	ZH23-24/30B(P)-1-B	31	37,8	M30x1		15,3		2		
CHЦ23-41/30B(P)-1-B	ZH23-41/30B(P)-1-B									
CHЦ23-32/33B(P)-1-B	ZH23-32/33B(P)-1-B	34	41,5	M33x1	15,3			2		
CHЦ23-55/33B(P)-1-B	ZH23-55/33B(P)-1-B									
CHЦ23-43/36B(P)-1-B	ZH23-43/36B(P)-1-B	36,5	44,5	M36x1			15,3	2		
CHЦ23-61/36B(P)-1-B	ZH23-61/36B(P)-1-B									
CHЦ23-45/39B(P)-1-B	ZH23-45/39B(P)-1-B	40	46,4	M39x1				15,3	2	

Type 2. Receptacles with straight Strain Relief



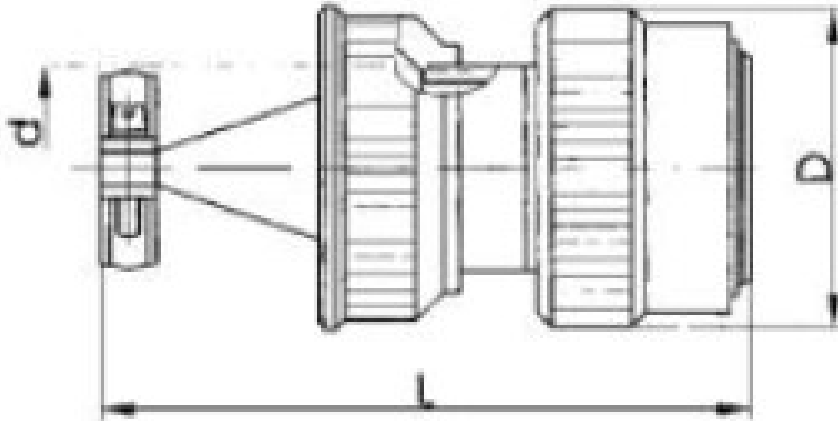
Russian Part No.	ALLCONN Part No.	A	B max	D	d	l max	b max	L max
CHЦ23-3/14B(P)-2-B	ZH23-3/14B(P)-2-B	16,5	21,7	M14x0,5	2,2	11,3	1,4	42
CHЦ23-4/14B(P)-2-B	ZH23-4/14B(P)-2-B							
CHЦ23-7/18B(P)-2-B	ZH23-7/18B(P)-2-B	19,5	25,9	M18x1				
CHЦ23-10/18B(P)-2-B	ZH23-10/18B(P)-2-B							
CHЦ23-7/22B(P)-2-B	ZH23-7/22B(P)-2-B	23	29,4	M22x1				
CHЦ23-10/22B(P)-2-B	ZH23-10/22B(P)-2-B							
CHЦ23-19/22B(P)-2-B	ZH23-19/22B(P)-2-B	25	31,4	M24x1				
CHЦ23-19/24B(P)-2-B	ZH23-19/24B(P)-2-B							
CHЦ23-19/27B(P)-2-B	ZH23-19/27B(P)-2-B	27	33,4	M27x1	3,2		1,8	48
CHЦ23-28/27B(P)-2-B	ZH23-28/27B(P)-2-B							
CHЦ23-32/27B(P)-2-B	ZH23-32/27B(P)-2-B	31	37,8	M30x1				
CHЦ23-24/30B(P)-2-B	ZH23-24/30B(P)-2-B							
CHЦ23-41/30B(P)-2-B	ZH23-41/30B(P)-2-B	34	41,5	M33x1		14,5	2	50
CHЦ23-32/33B(P)-2-B	ZH23-32/33B(P)-2-B							
CHЦ23-55/33B(P)-2-B	ZH23-55/33B(P)-2-B	36,5	44,5	M36x1	15,3			
CHЦ23-43/36B(P)-2-B	ZH23-43/36B(P)-2-B							
CHЦ23-61/36B(P)-2-B	ZH23-61/36B(P)-2-B	40	46,4	M39x1				
CHЦ23-45/39B(P)-2-B	ZH23-45/39B(P)-2-B							

Type 4. Receptacles with elbow Strain Relief



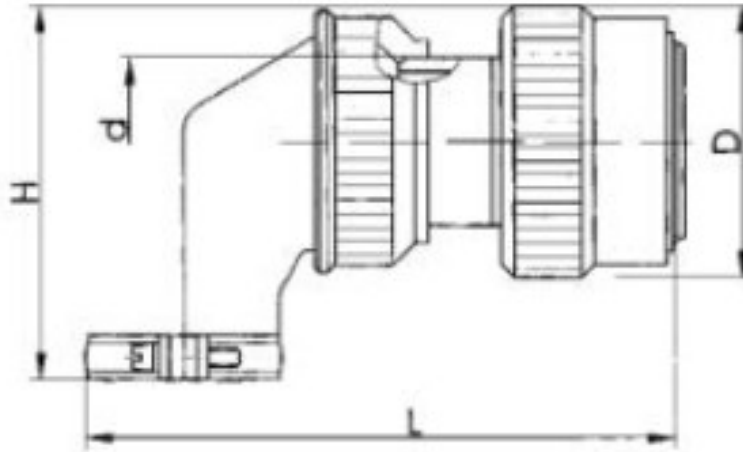
Russian Part No.	ALLCONN Part No.	A	B max	D	d min	l max	b max	H max	L max		
CHЦ23-3/14B(P)-4-B CHЦ23-4/14B(P)-4-B	ZH23-3/14B(P)-4-B ZH23-4/14B(P)-4-B	16,5	21,7	M14 x 0,5	2,2	11,3	1,4	69	69		
CHЦ23-7/18B(P)-4-B CHЦ23-10/18B(P)-4-B	ZH23-7/18B(P)-4-B ZH23-10/18B(P)-4-B	19,5	25,9	M18 x 1	3,2		1,8				
CHЦ23-7/22B(P)-4-B CHЦ23-10/22B(P)-4-B CHЦ23-19/22B(P)-4-B	ZH23-7/22B(P)-4-B ZH23-10/22B(P)-4-B ZH23-19/22B(P)-4-B	23	29,4	M22 x 1							
CHЦ23-19/24B(P)-4-B	ZH23-19/24B(P)-4-B	25	31,4	M24 x 1							
CHЦ23-19/27B(P)-4-B CHЦ23-28/27B(P)-4-B CHЦ23-32/27B(P)-4-B	ZH23-19/27B(P)-4-B ZH23-28/27B(P)-4-B ZH23-32/27B(P)-4-B	27	33,4	M27 x 1							
CHЦ23-24/30B(P)-4-B CHЦ23-41/30B(P)-4-B	ZH23-24/30B(P)-4-B ZH23-41/30B(P)-4-B	31	37,8	M30 x 1							
CHЦ23-32/33B(P)-4-B CHЦ23-55/33B(P)-4-B	ZH23-32/33B(P)-4-B ZH23-55/33B(P)-4-B	34	41,5	M33 x 1						14,5	2.15
CHЦ23-43/36B(P)-4-B CHЦ23-61/36B(P)-4-B	ZH23-43/36B(P)-4-B ZH23-61/36B(P)-4-B	36,5	44,5	M36 x 1						15,3	
CHЦ23-45/39B(P)-4-B	ZH23-45/39B(P)-4-B	40	46,4	M39 x 1							

Type 6. Plugs with straight Strain Relief



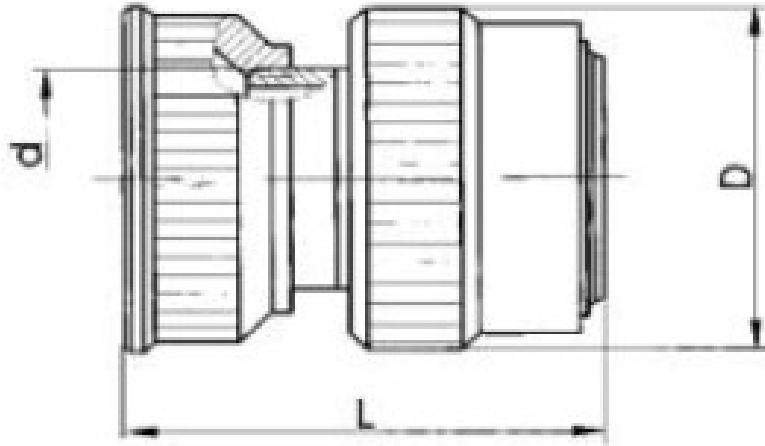
Russian Part No.	ALLCONN Part No.	D max	d	L max
CHЦ23-3/14B(P)-2-B	ZH23-3/14B(P)-2-B	22	M14x0.5	50
CHЦ23-4/14B(P)-2-B	ZH23-4/14B(P)-2-B			
CHЦ23-7/18B(P)-2-B	ZH23-7/18B(P)-2-B	26	M18x1	
CHЦ23-10/18B(P)-2-B	ZH23-10/18B(P)-2-B			
CHЦ23-7/22B(P)-2-B	ZH23-7/22B(P)-2-B	29.5	M22x1	
CHЦ23-10/22B(P)-2-B	ZH23-10/22B(P)-2-B			
CHЦ23-19/22B(P)-2-B	ZH23-19/22B(P)-2-B			
CHЦ23-19/24B(P)-2-B	ZH23-19/24B(P)-2-B	32	M24x1	
CHЦ23-19/27B(P)-2-B	ZH23-19/27B(P)-2-B	35	M27x1	
CHЦ23-28/27B(P)-2-B	ZH23-28/27B(P)-2-B			
CHЦ23-32/27B(P)-2-B	ZH23-32/27B(P)-2-B			
CHЦ23-24/30B(P)-2-B	ZH23-24/30B(P)-2-B	38	M30x1	
CHЦ23-41/30B(P)-2-B	ZH23-41/30B(P)-2-B			
CHЦ23-32/33B(P)-2-B	ZH23-32/33B(P)-2-B	42	M33x1	
CHЦ23-55/33B(P)-2-B	ZH23-55/33B(P)-2-B			
CHЦ23-43/36B(P)-2-B	ZH23-43/36B(P)-2-B	46	M36x1	
CHЦ23-61/36B(P)-2-B	ZH23-61/36B(P)-2-B			
CHЦ23-45/39B(P)-2-B	ZH23-45/39B(P)-2-B	49	M39x1	

Type 8. Plugs with elbow Strain Relief



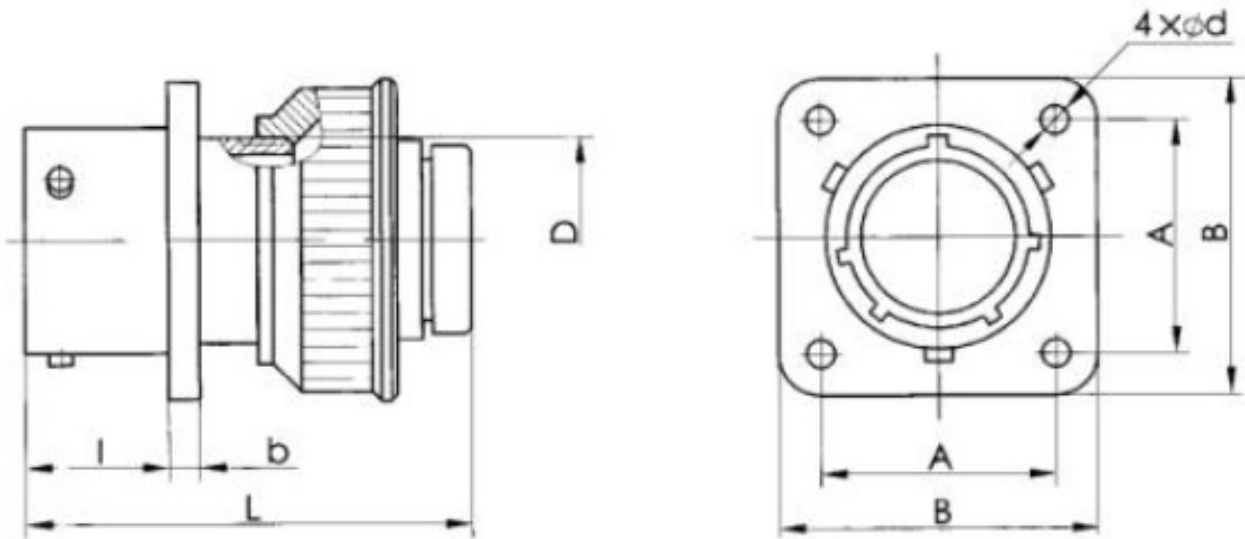
Russian Part No.	ALLCONN Part No.	A	B max	H max	L max
CHЦ23-3/14B(P)-8-B CHЦ23-4/14B(P)-8-B	ZH23-3/14B(P)-8-B ZH23-4/14B(P)-8-B	22	M14x0.5	45	69
CHЦ23-7/18B(P)-8-B CHЦ23-10/18B(P)-8-B	ZH23-7/18B(P)-8-B ZH23-10/18B(P)-8-B	26	M18x1		
CHЦ23-7/22B(P)-8-B CHЦ23-10/22B(P)-8-B CHЦ23-19/22B(P)-8-B	ZH23-7/22B(P)-8-B ZH23-10/22B(P)-8-B ZH23-19/22B(P)-8-B	29.5	M22x1		
CHЦ23-19/24B(P)-8-B	ZH23-19/24B(P)-8-B	32	M24x1		
CHЦ23-19/27B(P)-8-B CHЦ23-28/27B(P)-8-B CHЦ23-32/27B(P)-8-B	ZH23-19/27B(P)-8-B ZH23-28/27B(P)-8-B ZH23-32/27B(P)-8-B	35	M27x1		
CHЦ23-24/30B(P)-8-B CHЦ23-41/30B(P)-8-B	ZH23-24/30B(P)-8-B ZH23-41/30B(P)-8-B	38	M30x1		
CHЦ23-32/33B(P)-8-B CHЦ23-55/33B(P)-8-B	ZH23-32/33B(P)-8-B ZH23-55/33B(P)-8-B	42	M33x1		
CHЦ23-43/36B(P)-8-B CHЦ23-61/36B(P)-8-B	ZH23-43/36B(P)-8-B ZH23-61/36B(P)-8-B	46	M36x1		
CHЦ23-45/39B(P)-8-B	ZH23-45/39B(P)-8-B	49	M39x1		

Type 11. Plugs with backnut



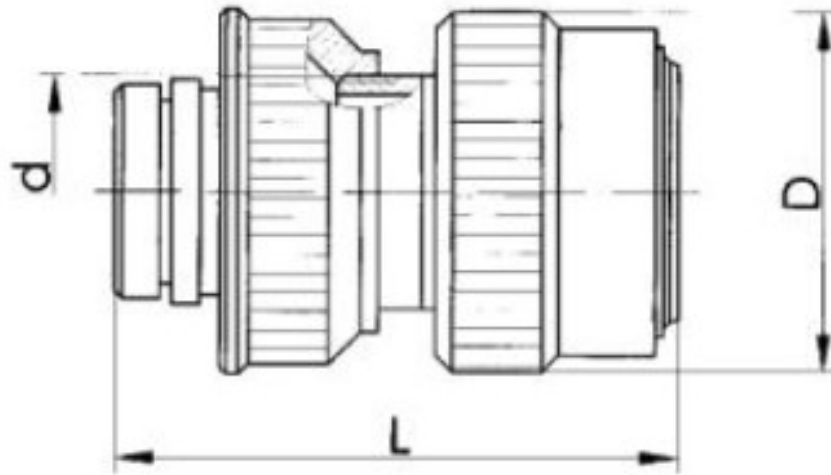
Russian Part No.	ALLCONN Part No.	D max	d	L max
CHЦ23-3/14B(P)-11-B	ZH23-3/14B(P)-11-B	22	M14x0.5	32.5
CHЦ23-4/14B(P)-11-B	ZH23-4/14B(P)-11-B			
CHЦ23-7/18B(P)-11-B	ZH23-7/18B(P)-11-B	26	M18x1	
CHЦ23-10/18B(P)-11-B	ZH23-10/18B(P)-11-B			
CHЦ23-7/22B(P)-11-B	ZH23-7/22B(P)-11-B	29.5	M22x1	
CHЦ23-10/22B(P)-11-B	ZH23-10/22B(P)-11-B			
CHЦ23-19/22B(P)-11-B	ZH23-19/22B(P)-11-B			
CHЦ23-19/24B(P)-11-B	ZH23-19/24B(P)-11-B	32	M24x1	
CHЦ23-19/27B(P)-11-B	ZH23-19/27B(P)-11-B	35	M27x1	
CHЦ23-28/27B(P)-11-B	ZH23-28/27B(P)-11-B			
CHЦ23-32/27B(P)-11-B	ZH23-32/27B(P)-11-B			
CHЦ23-24/30B(P)-11-B	ZH23-24/30B(P)-11-B	38	M30x1	
CHЦ23-41/30B(P)-11-B	ZH23-41/30B(P)-11-B			
CHЦ23-32/33B(P)-11-B	ZH23-32/33B(P)-11-B	42	M33x1	
CHЦ23-55/33B(P)-11-B	ZH23-55/33B(P)-11-B			
CHЦ23-43/36B(P)-11-B	ZH23-43/36B(P)-11-B	46	M36x1	
CHЦ23-61/36B(P)-11-B	ZH23-61/36B(P)-11-B			
CHЦ23-45/39B(P)-11-B	ZH23-45/39B(P)-11-B	49	M39x1	

Type 12. Receptacles with straight Shrink Boot Adapter (09 type)



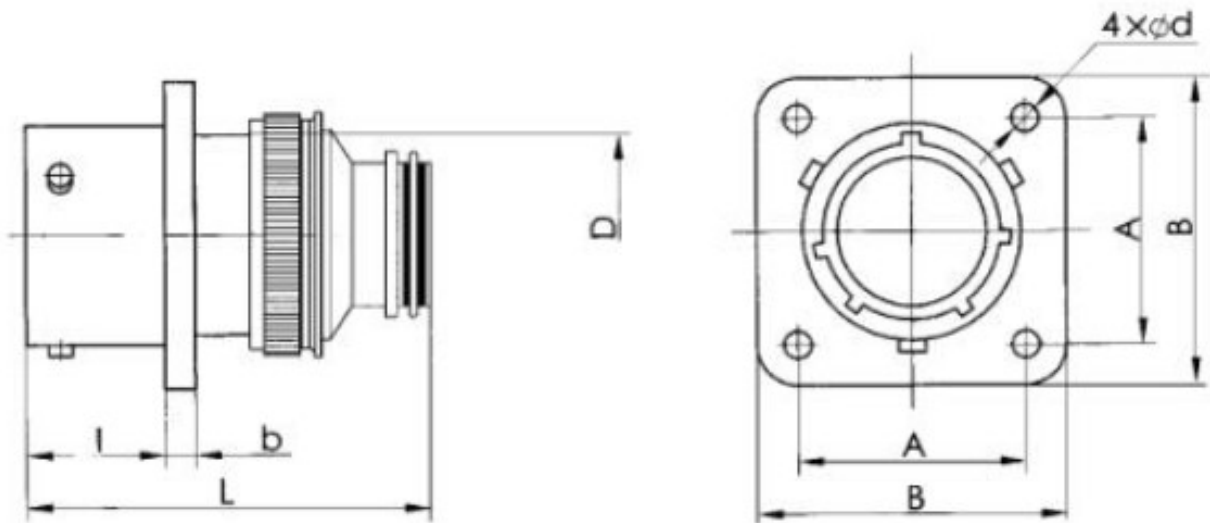
Russian Part No.	ALLCONN Part No.	A	B max	D*	d	l max	b max	L max
CHЦ23-3/14B(P)-12-B	ZH23-3/14B(P)-12-B	16,5	21,7	M14x0,5	2,2	11,3	1,4	50
CHЦ23-4/14B(P)-12-B	ZH23-4/14B(P)-12-B							
CHЦ23-7/18B(P)-12-B	ZH23-7/18B(P)-12-B	19,5	25,9	M18x1				
CHЦ23-10/18B(P)-12-B	ZH23-10/18B(P)-12-B							
CHЦ23-7/22B(P)-12-B	ZH23-7/22B(P)-12-B	23	29,4	M22x1				
CHЦ23-10/22B(P)-12-B	ZH23-10/22B(P)-12-B							
CHЦ23-19/22B(P)-12-B	ZH23-19/22B(P)-12-B	25	31,4	M24x1				
CHЦ23-19/24B(P)-12-B	ZH23-19/24B(P)-12-B							
CHЦ23-19/27B(P)-12-B	ZH23-19/27B(P)-12-B	27	33,4	M27x1				
CHЦ23-28/27B(P)-12-B	ZH23-28/27B(P)-12-B							
CHЦ23-32/27B(P)-12-B	ZH23-32/27B(P)-12-B							
CHЦ23-24/30B(P)-12-B	ZH23-24/30B(P)-12-B	31	37,8	M30x1	3,2	14,5	2	51
CHЦ23-41/30B(P)-12-B	ZH23-41/30B(P)-12-B							
CHЦ23-32/33B(P)-12-B	ZH23-32/33B(P)-12-B	34	41,5	M33x1				
CHЦ23-55/33B(P)-12-B	ZH23-55/33B(P)-12-B							
CHЦ23-43/36B(P)-12-B	ZH23-43/36B(P)-12-B	36,5	44,5	M36x1				
CHЦ23-61/36B(P)-12-B	ZH23-61/36B(P)-12-B							
CHЦ23-45/39B(P)-12-B	ZH23-45/39B(P)-12-B	40	46,4	M39x1				

Type 13. Plugs with straight Shrink Boot Adapter (09 type)



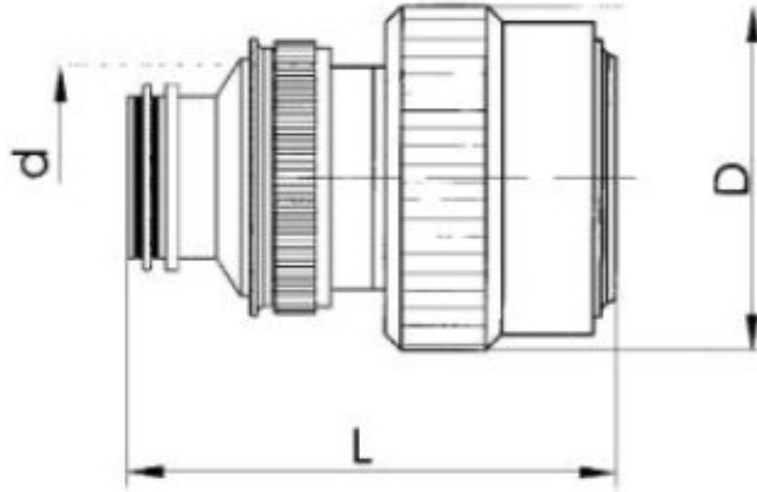
Russian Part No.	ALLCONN Part No.	D max	d	L max
CHЦ23-3/14B(P)-13-B	ZH23-3/14B(P)-13-B	22	M14x0.5	50
CHЦ23-4/14B(P)-13-B	ZH23-4/14B(P)-13-B			
CHЦ23-7/18B(P)-13-B	ZH23-7/18B(P)-13-B	26	M18x1	
CHЦ23-10/18B(P)-13-B	ZH23-10/18B(P)-13-B			
CHЦ23-7/22B(P)-13-B	ZH23-7/22B(P)-13-B	29.5	M22x1	
CHЦ23-10/22B(P)-13-B	ZH23-10/22B(P)-13-B			
CHЦ23-19/22B(P)-13-B	ZH23-19/22B(P)-13-B			
CHЦ23-19/24B(P)-13-B	ZH23-19/24B(P)-13-B	32	M24x1	
CHЦ23-19/27B(P)-13-B	ZH23-19/27B(P)-13-B	35	M27x1	
CHЦ23-28/27B(P)-13-B	ZH23-28/27B(P)-13-B			
CHЦ23-32/27B(P)-13-B	ZH23-32/27B(P)-13-B			
CHЦ23-24/30B(P)-13-B	ZH23-24/30B(P)-13-B	38	M30x1	
CHЦ23-41/30B(P)-13-B	ZH23-41/30B(P)-13-B			
CHЦ23-32/33B(P)-13-B	ZH23-32/33B(P)-13-B	42	M33x1	51
CHЦ23-55/33B(P)-13-B	ZH23-55/33B(P)-13-B			
CHЦ23-43/36B(P)-13-B	ZH23-43/36B(P)-13-B	46	M36x1	
CHЦ23-61/36B(P)-13-B	ZH23-61/36B(P)-13-B			
CHЦ23-45/39B(P)-13-B	ZH23-45/39B(P)-13-B	49	M39x1	

Type 15. Receptacles with straight EMI/RFI Adapter (05 type) with memory ring



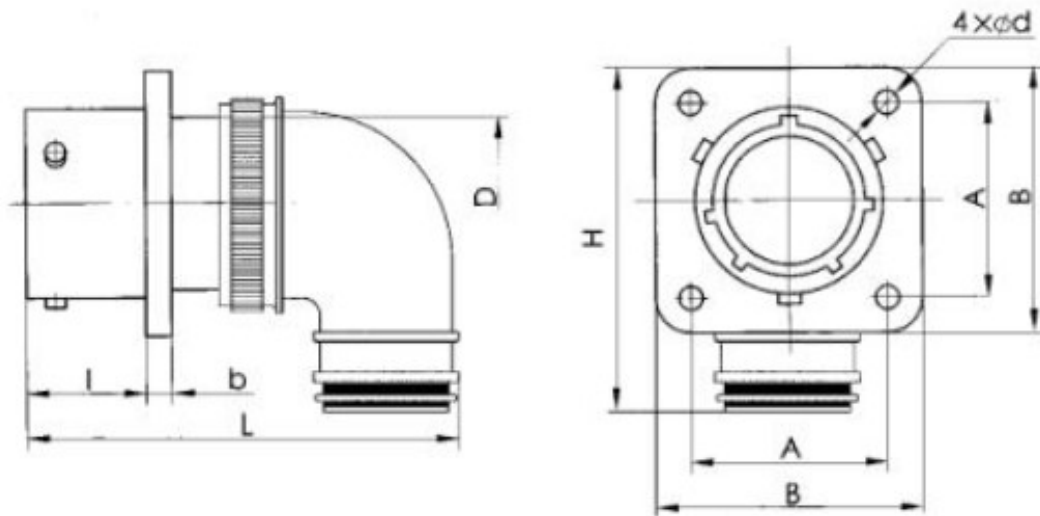
Russian Part No.	ALLCONN Part No.	A	B max	D	d	l max	b max	L max	
CHЦ23-3/14B(P)-15-B	ZH23-3/14B(P)-15-B	16,5	21,7	M14x0,5	2,2	11,3	1,4	55	
CHЦ23-4/14B(P)-15-B	ZH23-4/14B(P)-15-B								
CHЦ23-7/18B(P)-15-B	ZH23-7/18B(P)-15-B	19,5	25,9	M18x1					
CHЦ23-10/18B(P)-15-B	ZH23-10/18B(P)-15-B	23	29,4	M22x1					
CHЦ23-7/22B(P)-15-B	ZH23-7/22B(P)-15-B								
CHЦ23-10/22B(P)-15-B	ZH23-10/22B(P)-15-B								
CHЦ23-19/22B(P)-15-B	ZH23-19/22B(P)-15-B	25	31,4	M24x1					
CHЦ23-19/24B(P)-15-B	ZH23-19/24B(P)-15-B	27	33,4	M27x1	3,2				1,8
CHЦ23-19/27B(P)-15-B	ZH23-19/27B(P)-15-B								
CHЦ23-28/27B(P)-15-B	ZH23-28/27B(P)-15-B								
CHЦ23-32/27B(P)-15-B	ZH23-32/27B(P)-15-B								
CHЦ23-24/30B(P)-15-B	ZH23-24/30B(P)-15-B	31	37,8	M30x1					
CHЦ23-41/30B(P)-15-B	ZH23-41/30B(P)-15-B	34	41,5	M33x1	14,5	2			
CHЦ23-32/33B(P)-15-B	ZH23-32/33B(P)-15-B								
CHЦ23-55/33B(P)-15-B	ZH23-55/33B(P)-15-B								
CHЦ23-43/36B(P)-15-B	ZH23-43/36B(P)-15-B	36,5	44,5	M36x1	15,3				
CHЦ23-61/36B(P)-15-B	ZH23-61/36B(P)-15-B								
CHЦ23-45/39B(P)-15-B	ZH23-45/39B(P)-15-B	40	46,4	M39x1					

Type 16. Plugs with straight EMI/RFI Adapter (05 type) with memory ring



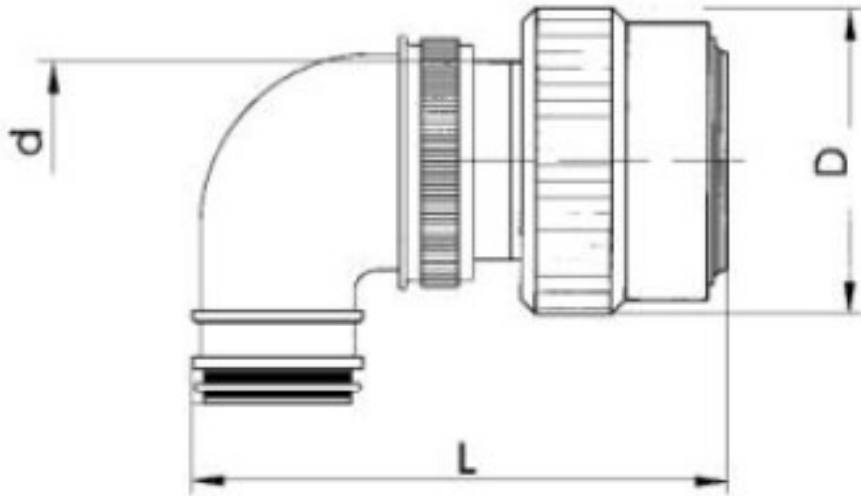
Russian Part No.	ALLCONN Part No.	D max	d	L max
CHЦ23-3/14B(P)-16-B	ZH23-3/14B(P)-16-B	22	M14x0.5	55
CHЦ23-4/14B(P)-16-B	ZH23-4/14B(P)-16-B			
CHЦ23-7/18B(P)-16-B	ZH23-7/18B(P)-16-B	26	M18x1	
CHЦ23-10/18B(P)-16-B	ZH23-10/18B(P)-16-B			
CHЦ23-7/22B(P)-16-B	ZH23-7/22B(P)-16-B	29.5	M22x1	
CHЦ23-10/22B(P)-16-B	ZH23-10/22B(P)-16-B			
CHЦ23-19/22B(P)-16-B	ZH23-19/22B(P)-16-B			
CHЦ23-19/24B(P)-16-B	ZH23-19/24B(P)-16-B	32	M24x1	
CHЦ23-19/27B(P)-16-B	ZH23-19/27B(P)-16-B	35	M27x1	
CHЦ23-28/27B(P)-16-B	ZH23-28/27B(P)-16-B			
CHЦ23-32/27B(P)-16-B	ZH23-32/27B(P)-16-B			
CHЦ23-24/30B(P)-16-B	ZH23-24/30B(P)-16-B	38	M30x1	
CHЦ23-41/30B(P)-16-B	ZH23-41/30B(P)-16-B			
CHЦ23-32/33B(P)-16-B	ZH23-32/33B(P)-16-B	42	M33x1	
CHЦ23-55/33B(P)-16-B	ZH23-55/33B(P)-16-B			
CHЦ23-43/36B(P)-16-B	ZH23-43/36B(P)-16-B	46	M36x1	
CHЦ23-61/36B(P)-16-B	ZH23-61/36B(P)-16-B			
CHЦ23-45/39B(P)-16-B	ZH23-45/39B(P)-16-B	49	M39x1	

Type 17. Receptacles with elbow EMI/RFI Adapter (06 type) with memory ring



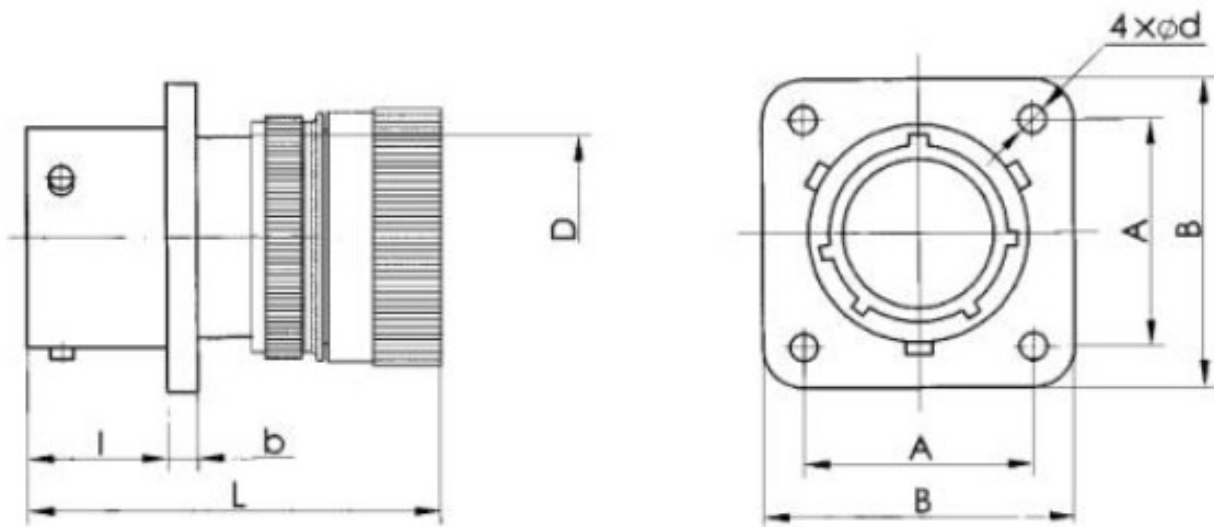
Russian Part No.	ALLCONN Part No.	A	B max	D	d	L max	b max	H max	L max	
CHЦ23-3/14B(P)-17-B CHЦ23-4/14B(P)-17-B	ZH23-3/14B(P)-17-B ZH23-4/14B(P)-17-B	16,5	21.7	M14x0,5	2,2	11,3	1,4	40	69	
CHЦ23-7/18B(P)-17-B CHЦ23-10/18B(P)-17-B	ZH23-7/18B(P)-17-B ZH23-10/18B(P)-17-B	19,5	25,9	M18x1	3,2					
CHЦ23-7/22B(P)-17-B CHЦ23-10/22B(P)-17-B CHЦ23-19/22B(P)-17-B	ZH23-7/22B(P)-17-B ZH23-10/22B(P)-17-B ZH23-19/22B(P)-17-B	23	29,4	M22x1						
CHЦ23-19/24B(P)-17-B	ZH23-19/24B(P)-17-B	25	31,4	M24x1						
CHЦ23-19/27B(P)-17-B CHЦ23-28/27B(P)-17-B CHЦ23-32/27B(P)-17-B	ZH23-19/27B(P)-17-B ZH23-28/27B(P)-17-B ZH23-32/27B(P)-17-B	27	33,4	M27x1			1,8			
CHЦ23-24/30B(P)-17-B CHЦ23-41/30B(P)-17-B	ZH23-24/30B(P)-17-B ZH23-41/30B(P)-17-B	31	37,8	M30x1						
CHЦ23-32/33B(P)-17-B CHЦ23-55/33B(P)-17-B	ZH23-32/33B(P)-17-B ZH23-55/33B(P)-17-B	34	41,5	M33x1			14,5			2
CHЦ23-43/36B(P)-17-B CHЦ23-61/36B(P)-17-B	ZH23-43/36B(P)-17-B ZH23-61/36B(P)-17-B	36,5	44,5	M36x1			15,3			
CHЦ23-45/39B(P)-17-B	ZH23-45/39B(P)-17-B	40	46,4	M39x1						

Type 18. Plugs with elbow EMI/RFI Adapter (06 type) with memory ring



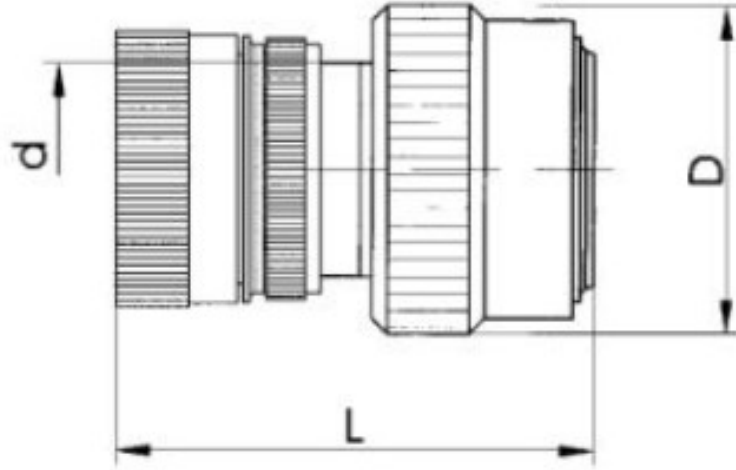
Russian Part No.	ALLCONN Part No.	D max	d	L max
CHЦ23-3/14B(P)-18-B	ZH23-3/14B(P)-18-B	22	M14x0.5	40
CHЦ23-4/14B(P)-18-B	ZH23-4/14B(P)-18-B			
CHЦ23-7/18B(P)-18-B	ZH23-7/18B(P)-18-B	26	M18x1	
CHЦ23-10/18B(P)-18-B	ZH23-10/18B(P)-18-B			
CHЦ23-7/22B(P)-18-B	ZH23-7/22B(P)-18-B	29.5	M22x1	
CHЦ23-10/22B(P)-18-B	ZH23-10/22B(P)-18-B			
CHЦ23-19/22B(P)-18-B	ZH23-19/22B(P)-18-B			
CHЦ23-19/24B(P)-18-B	ZH23-19/24B(P)-18-B	32	M24x1	
CHЦ23-19/27B(P)-18-B	ZH23-19/27B(P)-18-B	35	M27x1	
CHЦ23-28/27B(P)-18-B	ZH23-28/27B(P)-18-B			
CHЦ23-32/27B(P)-18-B	ZH23-32/27B(P)-18-B			
CHЦ23-24/30B(P)-18-B	ZH23-24/30B(P)-18-B	38	M30x1	
CHЦ23-41/30B(P)-18-B	ZH23-41/30B(P)-18-B			
CHЦ23-32/33B(P)-18-B	ZH23-32/33B(P)-18-B	42	M33x1	
CHЦ23-55/33B(P)-18-B	ZH23-55/33B(P)-18-B			
CHЦ23-43/36B(P)-18-B	ZH23-43/36B(P)-18-B	46	M36x1	
CHЦ23-61/36B(P)-18-B	ZH23-61/36B(P)-18-B			
CHЦ23-45/39B(P)-18-B	ZH23-45/39B(P)-18-B	49	M39x1	

Type 19. Receptacles with straight Banding Backshell (07 type)



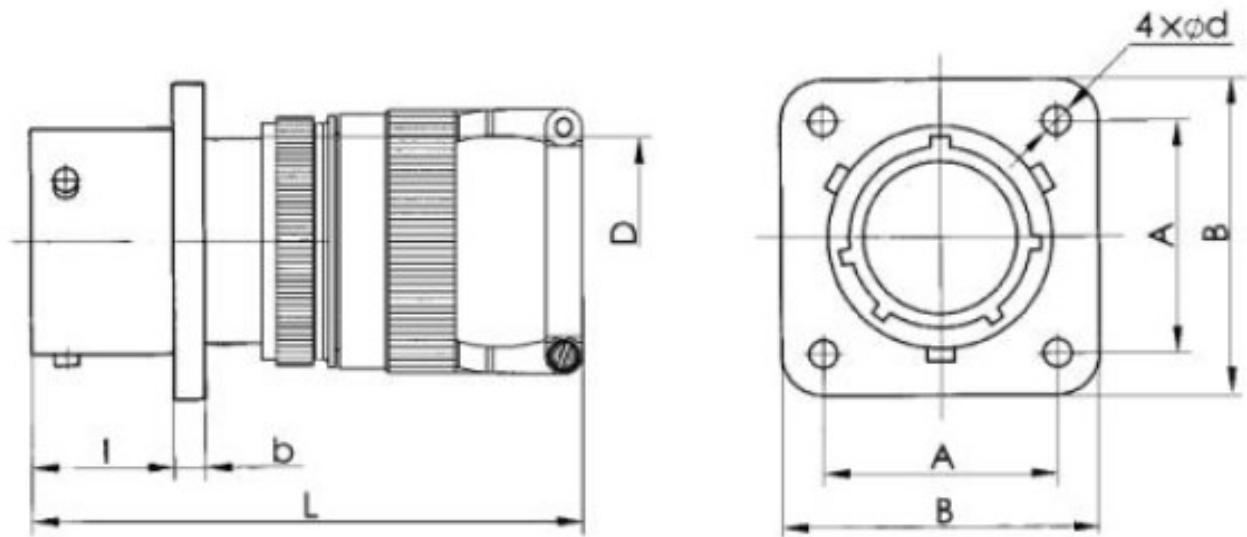
Russian Part No.	ALLCONN Part No.	A	B max	D	d	l max	b max	L max
CHЦ23-3/14B(P)-19-B CHЦ23-4/14B(P)-19-B	ZH23-3/14B(P)-19-B ZH23-4/14B(P)-19-B	16,5	21,7	M14x0,5	2,2	11,3	1,4	56
CHЦ23-7/18B(P)-19-B CHЦ23-10/18B(P)-19-B	ZH23-7/18B(P)-19-B ZH23-10/18B(P)-19-B	19,5	25,9	M18x1	3,2			
CHЦ23-7/22B(P)-19-B CHЦ23-10/22B(P)-19-B CHЦ23-19/22B(P)-19-B	ZH23-7/22B(P)-19-B ZH23-10/22B(P)-19-B ZH23-19/22B(P)-19-B	23	29,4	M22x1			1,8	
CHЦ23-19/24B(P)-19-B	ZH23-19/24B(P)-19-B	25	31,4	M24x1				
CHЦ23-19/27B(P)-19-B CHЦ23-28/27B(P)-19-B CHЦ23-32/27B(P)-19-B	ZH23-19/27B(P)-19-B ZH23-28/27B(P)-19-B ZH23-32/27B(P)-19-B	27	33,4	M27x1			2	
CHЦ23-24/30B(P)-19-B CHЦ23-41/30B(P)-19-B	ZH23-24/30B(P)-19-B ZH23-41/30B(P)-19-B	31	37,8	M30x1				
CHЦ23-32/33B(P)-19-B CHЦ23-55/33B(P)-19-B	ZH23-32/33B(P)-19-B ZH23-55/33B(P)-19-B	34	41,5	M33x1				
CHЦ23-43/36B(P)-19-B CHЦ23-61/36B(P)-19-B	ZH23-43/36B(P)-19-B ZH23-61/36B(P)-19-B	36,5	44,5	M36x1			15,3	
CHЦ23-45/39B(P)-19-B	ZH23-45/39B(P)-19-B	40	46,4	M39x1				

Type 20. Plugs with straight Banding Backshell (07 type)



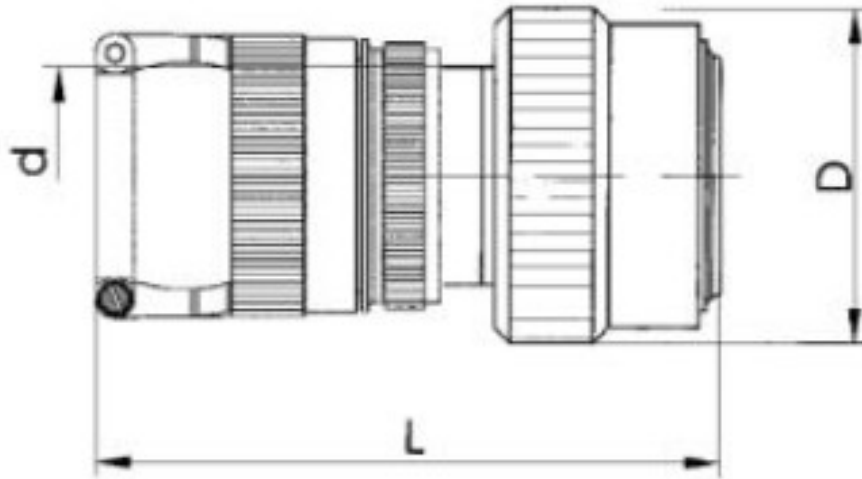
Russian Part No.	ALLCONN Part No.	D max	d	L max
CHЦ23-3/14B(P)-20-B	ZH23-3/14B(P)-20-B	22	M14x0.5	56
CHЦ23-4/14B(P)-20-B	ZH23-4/14B(P)-20-B			
CHЦ23-7/18B(P)-20-B	ZH23-7/18B(P)-20-B	26	M18x1	
CHЦ23-10/18B(P)-20-B	ZH23-10/18B(P)-20-B			
CHЦ23-7/22B(P)-20-B	ZH23-7/22B(P)-20-B	29.5	M22x1	
CHЦ23-10/22B(P)-20-B	ZH23-10/22B(P)-20-B			
CHЦ23-19/22B(P)-20-B	ZH23-19/22B(P)-20-B			
CHЦ23-19/24B(P)-20-B	ZH23-19/24B(P)-20-B	32	M24x1	
CHЦ23-19/27B(P)-20-B	ZH23-19/27B(P)-20-B	35	M27x1	
CHЦ23-28/27B(P)-20-B	ZH23-28/27B(P)-20-B			
CHЦ23-32/27B(P)-20-B	ZH23-32/27B(P)-20-B			
CHЦ23-24/30B(P)-20-B	ZH23-24/30B(P)-20-B	38	M30x1	
CHЦ23-41/30B(P)-20-B	ZH23-41/30B(P)-20-B			
CHЦ23-32/33B(P)-20-B	ZH23-32/33B(P)-20-B	42	M33x1	
CHЦ23-55/33B(P)-20-B	ZH23-55/33B(P)-20-B			
CHЦ23-43/36B(P)-20-B	ZH23-43/36B(P)-20-B	46	M36x1	
CHЦ23-61/36B(P)-20-B	ZH23-61/36B(P)-20-B			
CHЦ23-45/39B(P)-20-B	ZH23-45/39B(P)-20-B	49	M39x1	

Type 21. Receptacles with straight EMI/RFI Backshell (08 type)



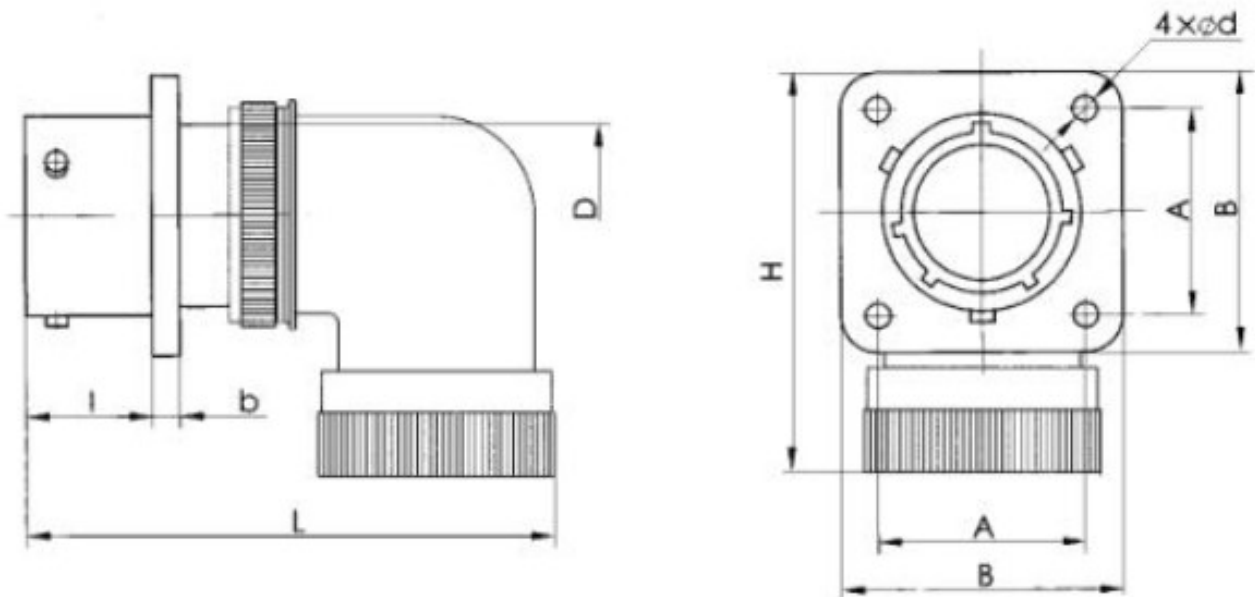
Russian Part No.	ALLCONN Part No.	A	B max	D	d	l max	b max	L max
CHЦ23-3/14B(P)-21-B	ZH23-3/14B(P)-21-B	16,5	21,7	M14x0,5	2,2	11,3	1,4	66
CHЦ23-4/14B(P)-21-B	ZH23-4/14B(P)-21-B							
CHЦ23-7/18B(P)-21-B	ZH23-7/18B(P)-21-B	19,5	25,9	M18x1	3,2		1,8	70
CHЦ23-10/18B(P)-21-B	ZH23-10/18B(P)-21-B							
CHЦ23-7/22B(P)-21-B	ZH23-7/22B(P)-21-B	23	29,4	M22x1	3,2		1,8	72
CHЦ23-10/22B(P)-21-B	ZH23-10/22B(P)-21-B							
CHЦ23-19/22B(P)-21-B	ZH23-19/22B(P)-21-B	25	31,4	M24x1	3,2		1,8	72
CHЦ23-19/24B(P)-21-B	ZH23-19/24B(P)-21-B							
CHЦ23-19/27B(P)-21-B	ZH23-19/27B(P)-21-B	27	33,4	M27x1	3,2		1,8	72
CHЦ23-28/27B(P)-21-B	ZH23-28/27B(P)-21-B							
CHЦ23-32/27B(P)-21-B	ZH23-32/27B(P)-21-B	31	37,8	M30x1	3,2	1,8	72	
CHЦ23-24/30B(P)-21-B	ZH23-24/30B(P)-21-B							
CHЦ23-41/30B(P)-21-B	ZH23-41/30B(P)-21-B	34	41,5	M33x1	3,2	1,8	72	
CHЦ23-32/33B(P)-21-B	ZH23-32/33B(P)-21-B							
CHЦ23-55/33B(P)-21-B	ZH23-55/33B(P)-21-B	36,5	44,5	M36x1	3,2	1,8	72	
CHЦ23-43/36B(P)-21-B	ZH23-43/36B(P)-21-B							
CHЦ23-61/36B(P)-21-B	ZH23-61/36B(P)-21-B	40	46,4	M39x1	3,2	1,8	72	
CHЦ23-45/39B(P)-21-B	ZH23-45/39B(P)-21-B							

Type 22. Plugs with straight EMI/RFI Backshell (08 type)



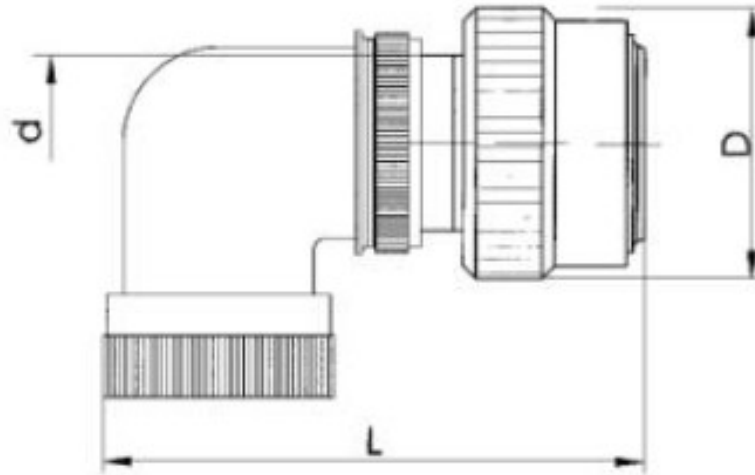
Russian Part No.	ALLCONN Part No.	D max	d	L max
CHЦ23-3/14B(P)-22-B	ZH23-3/14B(P)-22-B	22	M14x0.5	66
CHЦ23-4/14B(P)-22-B	ZH23-4/14B(P)-22-B			
CHЦ23-7/18B(P)-22-B	ZH23-7/18B(P)-22-B	26	M18x1	70
CHЦ23-10/18B(P)-22-B	ZH23-10/18B(P)-22-B			
CHЦ23-7/22B(P)-22-B	ZH23-7/22B(P)-22-B	29.5	M22x1	72
CHЦ23-10/22B(P)-22-B	ZH23-10/22B(P)-22-B			
CHЦ23-19/22B(P)-22-B	ZH23-19/22B(P)-22-B			
CHЦ23-19/24B(P)-22-B	ZH23-19/24B(P)-22-B	32	M24x1	78
CHЦ23-19/27B(P)-22-B	ZH23-19/27B(P)-22-B	35	M27x1	
CHЦ23-28/27B(P)-22-B	ZH23-28/27B(P)-22-B			
CHЦ23-32/27B(P)-22-B	ZH23-32/27B(P)-22-B			
CHЦ23-24/30B(P)-22-B	ZH23-24/30B(P)-22-B	38	M30x1	78
CHЦ23-41/30B(P)-22-B	ZH23-41/30B(P)-22-B			
CHЦ23-32/33B(P)-22-B	ZH23-32/33B(P)-22-B	42	M33x1	78
CHЦ23-55/33B(P)-22-B	ZH23-55/33B(P)-22-B			
CHЦ23-43/36B(P)-22-B	ZH23-43/36B(P)-22-B	46	M36x1	78
CHЦ23-61/36B(P)-22-B	ZH23-61/36B(P)-22-B			
CHЦ23-45/39B(P)-22-B	ZH23-45/39B(P)-22-B	49	M39x1	

Type 25. Receptacles with elbow Shrink Boot Adapter (10 type)



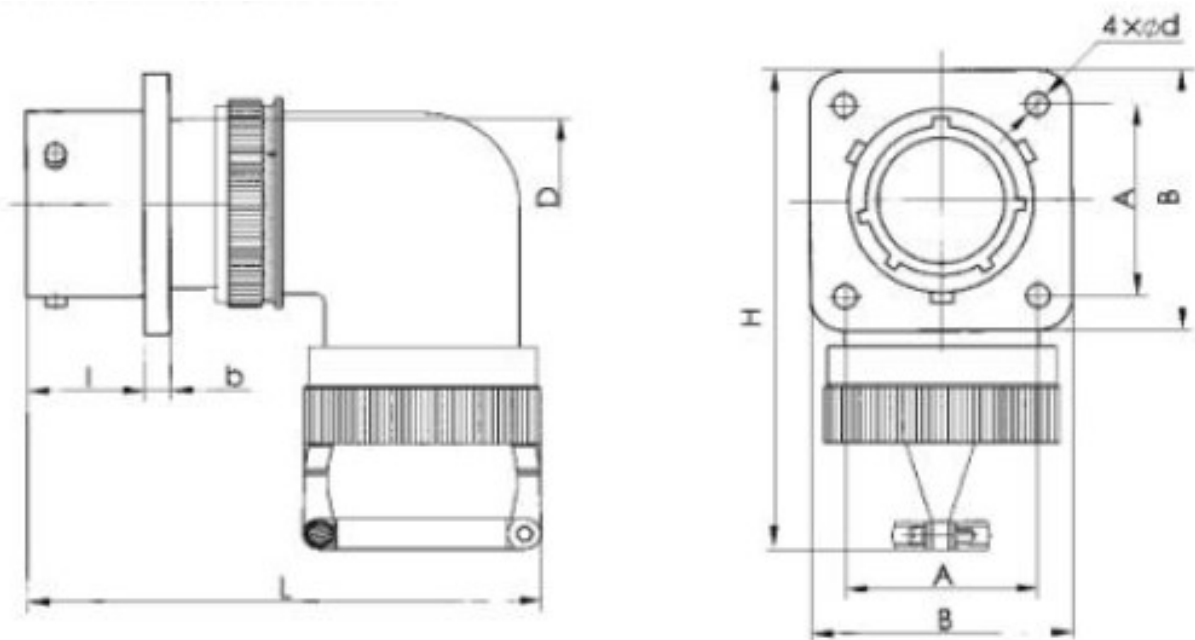
Russian Part No.	ALLCONN Part No.	A	B max	D	d	L max	b max	H max	L max
CHЦ23-3/14B(P)-25-B	ZH23-3/14B(P)-25-B	16,5	21,7	M14x0,5	2,2	11,3	1,4	57	66
CHЦ23-4/14B(P)-25-B	ZH23-4/14B(P)-25-B								
CHЦ23-7/18B(P)-25-B	ZH23-7/18B(P)-25-B	19,5	25,9	M18x1	3,2		1,8	72	
CHЦ23-10/18B(P)-25-B	ZH23-10/18B(P)-25-B								
CHЦ23-7/22B(P)-25-B	ZH23-7/22B(P)-25-B	23	29,4	M22x1					
CHЦ23-10/22B(P)-25-B	ZH23-10/22B(P)-25-B	25	31,4	M24x1	3,2		1,8	73	
CHЦ23-19/22B(P)-25-B	ZH23-19/22B(P)-25-B								
CHЦ23-19/24B(P)-25-B	ZH23-19/24B(P)-25-B	27	33,4	M27x1	14,5		2	78	
CHЦ23-19/27B(P)-25-B	ZH23-19/27B(P)-25-B								
CHЦ23-28/27B(P)-25-B	ZH23-28/27B(P)-25-B								
CHЦ23-32/27B(P)-25-B	ZH23-32/27B(P)-25-B	31	37,8	M30x1	15,3	2	78		
CHЦ23-24/30B(P)-25-B	ZH23-24/30B(P)-25-B								
CHЦ23-41/30B(P)-25-B	ZH23-41/30B(P)-25-B	34	41,5	M33x1	15,3	2	78		
CHЦ23-32/33B(P)-25-B	ZH23-32/33B(P)-25-B								
CHЦ23-55/33B(P)-25-B	ZH23-55/33B(P)-25-B	36,5	44,5	M36x1	15,3	2	78		
CHЦ23-43/36B(P)-25-B	ZH23-43/36B(P)-25-B								
CHЦ23-61/36B(P)-25-B	ZH23-61/36B(P)-25-B	40	46,4	M39x1	15,3	2	78		
CHЦ23-45/39B(P)-25-B	ZH23-45/39B(P)-25-B								

Type 26. Plugs with elbow Shrink Boot Adapter (10 type)



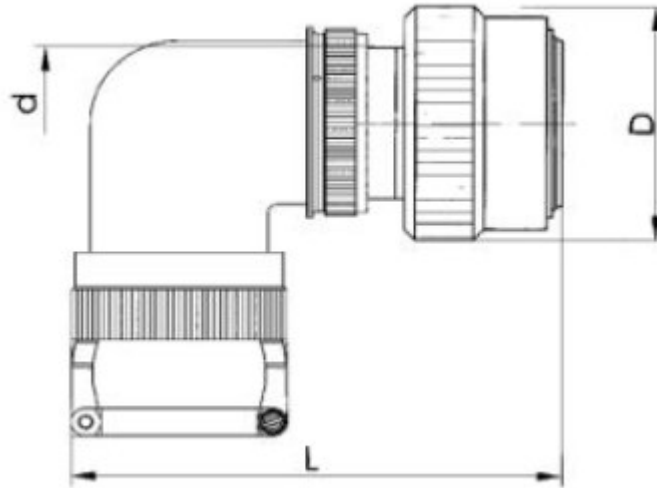
Russian Part No.	ALLCONN Part No.	D max	d	L max
CHЦ23-3/14B(P)-26-B	ZH23-3/14B(P)-26-B	22	M14x0.5	66
CHЦ23-4/14B(P)-26-B	ZH23-4/14B(P)-26-B			
CHЦ23-7/18B(P)-26-B	ZH23-7/18B(P)-26-B	26	M18x1	70
CHЦ23-10/18B(P)-26-B	ZH23-10/18B(P)-26-B			
CHЦ23-7/22B(P)-26-B	ZH23-7/22B(P)-26-B	29.5	M22x1	72
CHЦ23-10/22B(P)-26-B	ZH23-10/22B(P)-26-B			
CHЦ23-19/22B(P)-26-B	ZH23-19/22B(P)-26-B			
CHЦ23-19/24B(P)-26-B	ZH23-19/24B(P)-26-B	32	M24x1	78
CHЦ23-19/27B(P)-26-B	ZH23-19/27B(P)-26-B	35	M27x1	
CHЦ23-28/27B(P)-26-B	ZH23-28/27B(P)-26-B			
CHЦ23-32/27B(P)-26-B	ZH23-32/27B(P)-26-B			
CHЦ23-24/30B(P)-26-B	ZH23-24/30B(P)-26-B	38	M30x1	78
CHЦ23-41/30B(P)-26-B	ZH23-41/30B(P)-26-B			
CHЦ23-32/33B(P)-26-B	ZH23-32/33B(P)-26-B	42	M33x1	78
CHЦ23-55/33B(P)-26-B	ZH23-55/33B(P)-26-B			
CHЦ23-43/36B(P)-26-B	ZH23-43/36B(P)-26-B	46	M36x1	78
CHЦ23-61/36B(P)-26-B	ZH23-61/36B(P)-26-B			
CHЦ23-45/39B(P)-26-B	ZH23-45/39B(P)-26-B	49	M39x1	

Type 27. Receptacles with elbow EMI/RFI Backshell (11 type)



Russian Part No.	ALLCONN Part No.	A	B max	D	d	L max	b max	H max	L max	
CHЦ23-3/14B(P)-27-B CHЦ23-4/14B(P)-27-B	ZH23-3/14B(P)-27-B ZH23-4/14B(P)-27-B	16,5	21,7	M14x0,5	2,2	11,3	1,4	51	66	
CHЦ23-7/18B(P)-27-B CHЦ23-10/18B(P)-27-B	ZH23-7/18B(P)-27-B ZH23-10/18B(P)-27-B	19,5	25,9	M18x1	3,2					
CHЦ23-7/22B(P)-27-B CHЦ23-10/22B(P)-27-B CHЦ23-19/22B(P)-27-B	ZH23-7/22B(P)-27-B ZH23-10/22B(P)-27-B ZH23-19/22B(P)-27-B	23	29,4	M22x1						
CHЦ23-19/24B(P)-27-B	ZH23-19/24B(P)-27-B	25	31,4	M24x1						
CHЦ23-19/27B(P)-27-B CHЦ23-28/27B(P)-27-B CHЦ23-32/27B(P)-27-B	ZH23-19/27B(P)-27-B ZH23-28/27B(P)-27-B ZH23-32/27B(P)-27-B	27	33,4	M27x1						
CHЦ23-24/30B(P)-27-B CHЦ23-41/30B(P)-27-B	ZH23-24/30B(P)-27-B ZH23-41/30B(P)-27-B	31	37,8	M30x1						
CHЦ23-32/33B(P)-27-B CHЦ23-55/33B(P)-27-B	ZH23-32/33B(P)-27-B ZH23-55/33B(P)-27-B	34	41,5	M33x1			14,5			
CHЦ23-43/36B(P)-27-B CHЦ23-61/36B(P)-27-B	ZH23-43/36B(P)-27-B ZH23-61/36B(P)-27-B	36,5	44,5	M36x1			15,3	2	113	78
CHЦ23-45/39B(P)-27-B	ZH23-45/39B(P)-27-B	40	46,4	M39x1						

Type 28. Plugs with elbow EMI/RFI Backshell (11 type)



Russian Part No.	ALLCONN Part No.	D max	d	L max
CHЦ23-3/14B(P)-28-B	ZH23-3/14B(P)-28-B	22	M14x0.5	66
CHЦ23-4/14B(P)-28-B	ZH23-4/14B(P)-28-B			
CHЦ23-7/18B(P)-28-B	ZH23-7/18B(P)-28-B	26	M18x1	66
CHЦ23-10/18B(P)-28-B	ZH23-10/18B(P)-28-B			
CHЦ23-7/22B(P)-28-B	ZH23-7/22B(P)-28-B	29.5	M22x1	72
CHЦ23-10/22B(P)-28-B	ZH23-10/22B(P)-28-B			
CHЦ23-19/22B(P)-28-B	ZH23-19/22B(P)-28-B			
CHЦ23-19/24B(P)-28-B	ZH23-19/24B(P)-28-B	32	M24x1	72
CHЦ23-19/27B(P)-28-B	ZH23-19/27B(P)-28-B	35	M27x1	
CHЦ23-28/27B(P)-28-B	ZH23-28/27B(P)-28-B			
CHЦ23-32/27B(P)-28-B	ZH23-32/27B(P)-28-B	38	M30x1	78
CHЦ23-24/30B(P)-28-B	ZH23-24/30B(P)-28-B			
CHЦ23-41/30B(P)-28-B	ZH23-41/30B(P)-28-B	42	M33x1	78
CHЦ23-32/33B(P)-28-B	ZH23-32/33B(P)-28-B			
CHЦ23-55/33B(P)-28-B	ZH23-55/33B(P)-28-B	46	M36x1	78
CHЦ23-43/36B(P)-28-B	ZH23-43/36B(P)-28-B			
CHЦ23-61/36B(P)-28-B	ZH23-61/36B(P)-28-B	49	M39x1	78
CHЦ23-45/39B(P)-28-B	ZH23-45/39B(P)-28-B			

Accessories

Backshells. Ordering information

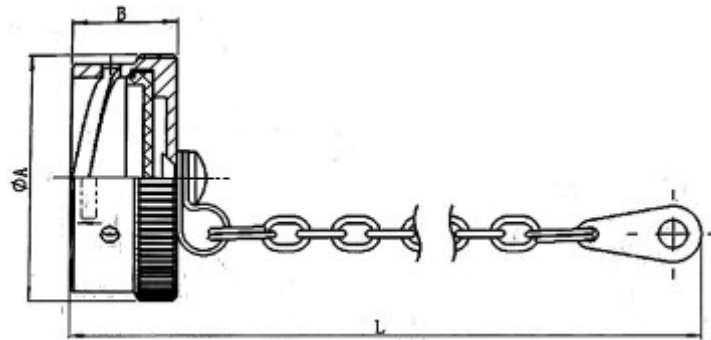
Basic series	ZH23	-N	-33	-05
Plating type				
N: nickel plating				
J: cadmium plating				
Shell size: 14, 18, 22, 24, 27, 30, 33, 36, 39				
End Accessories type:				
05: straight EMI/RFI Adapter (with memory ring)				
06: elbow EMI/RFI Adapter (with memory ring)				
07: straight Banding Backshell				
08- straight EMI/RFI Backshell				
09: straight Shrink Boot Adapter				
10: elbow Shrink Boot Adapter				
11: elbow EMI/RFI Backshell				

Caps. Ordering information

Basic series	ZH23	-27	Y	-33
Caps type				
27: cap for receptacle				
28: cap for plug				
Y: Obligatory suffix				
Shell size: 14, 18, 22, 24, 27, 30, 33, 36, 39				

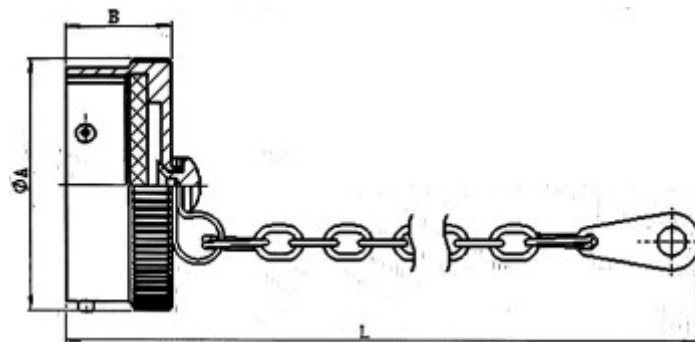
Dimensions

Caps for Receptacles



Russian Part No.	ALLCONN Part No.	A	B	L
ЭП-14	ZH23-27Y14	22.6	14.1	111
ЭП-18	ZH23-27Y18	25.7	14.1	127
ЭП-22	ZH23-27Y22	29.7	14.1	127
ЭП-24	ZH23-27Y24	32.5	14.9	128
ЭП-27	ZH23-27Y27	36.3	14.9	128
ЭП-30	ZH23-27Y30	38.8	14.9	144
ЭП-33	ZH23-27Y33	41.8	14.9	144
ЭП-36	ZH23-27Y36	45	15.75	145
ЭП-39	ZH23-27Y39	48.4	15.75	145

Caps for Plugs



Russian Part No.	ALLCONN Part No.	A	B	L
ЭК-14	ZH23-28Y14	19.8	14.9	160
ЭК-18	ZH23-28Y18	23.9	14.9	190
ЭК-22	ZH23-28Y22	27	14.9	
ЭК-24	ZH23-28Y24	30.2	14.9	
ЭК-27	ZH23-28Y27	33.4	14.9	
ЭК-30	ZH23-28Y30	36.5	16.4	200
ЭК-33	ZH23-28Y33	39.8	16.4	
ЭК-36	ZH23-28Y36	42.9	16.4	
ЭК-39	ZH23-28Y39	46.3	16.4	

CÔNG TY TNHH RỒNG VÀNG TECHNOLOGY

**Địa chỉ: 48/5 Vĩnh Xuân, Phường Vĩnh thái,
Thành Phố Nha Trang, Tỉnh Khánh Hòa**

SĐT: +84 79.219.2707

www.rong-vang-technology.vn

www.rong-vang-technology.vn