



RỒNG VÀNG
TECHNOLOGY



**Rectangular Electrical Connector
for Printed Circuits
CFSM1 & CFSMW1 Series
substitutes of Russian
GRPM1 & GRPMSH1**

www.rong-vang-technology.vn



Description

The CFSM1 series & CFSMW1 series is a rectangular electrical connector for printed circuit boards are used for electrical connections between circuit boards or devices

Plugs are equipped with two guide pins

Receptacles are equipped with two guide sockets

The pin contact body is fixed in the insulation, and the socket contact body is «movable»

CFSM1 is interchangeable with Russia GRPM1 series electrical connectors

CFSMW1 is interchangeable with Russia GRPMSH1 series electrical connectors

These connectors are manufactured for inner mounting for all climates in accordance with the technical conditions KeO.364.006 TU



CFSM1 series

Technical features

Description	Values
Operating temperature	up -60°C to +85°C
Vibration	5 ~ 4000 HZ, 300 m/s ²
Impact	1500 m/s ² (Single shot), 350 m/s ² (multiple times)
Relative humidity	98% at 35 °C (without condensation)
Max current rating per contact	2 A
Working voltage	≤ 250 V
Contact resistance	≤ 8 mΩ
Insulation resistance	≥ 1000 MΩ
Durability	1000 cycles
Technical specification	KeO.364.006 TU

Ordering information

Basic series	CFSM1	-31	J	Y	2	B
Number of contacts: 31, 45, 61, 90, 122						
Contact Type:						
J: Male for Plug, only						
K: Female for Receptacle, only						
Termination Type:						
Y: Right-Angle Board-Mount, for Plug, only						
H: Straight Board-Mount, for Receptacle, only						
O: Solder cup, for Receptacle, only						
Contact plating:						
2: Silver						
Climate version:						
B: all-weather						

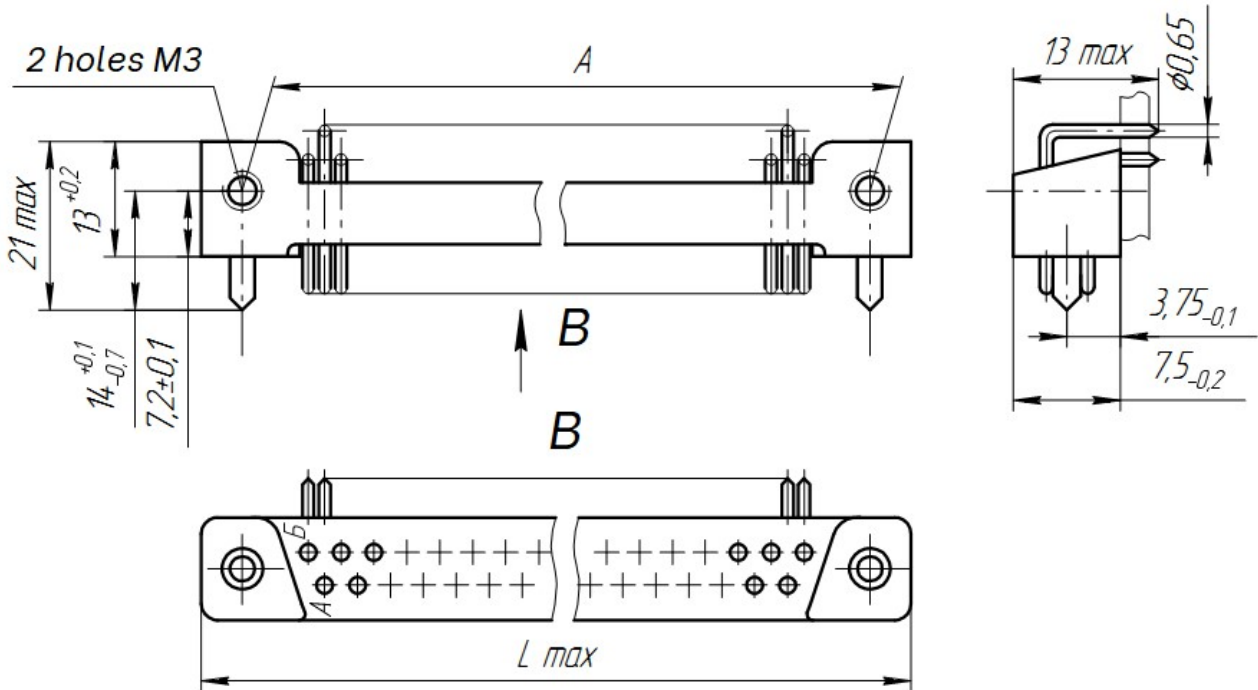
Contact layouts

Contact Layouts	Number of Rows	Number of Contacts
	2	31
	2	45
	2	61
	3	90
	4	122

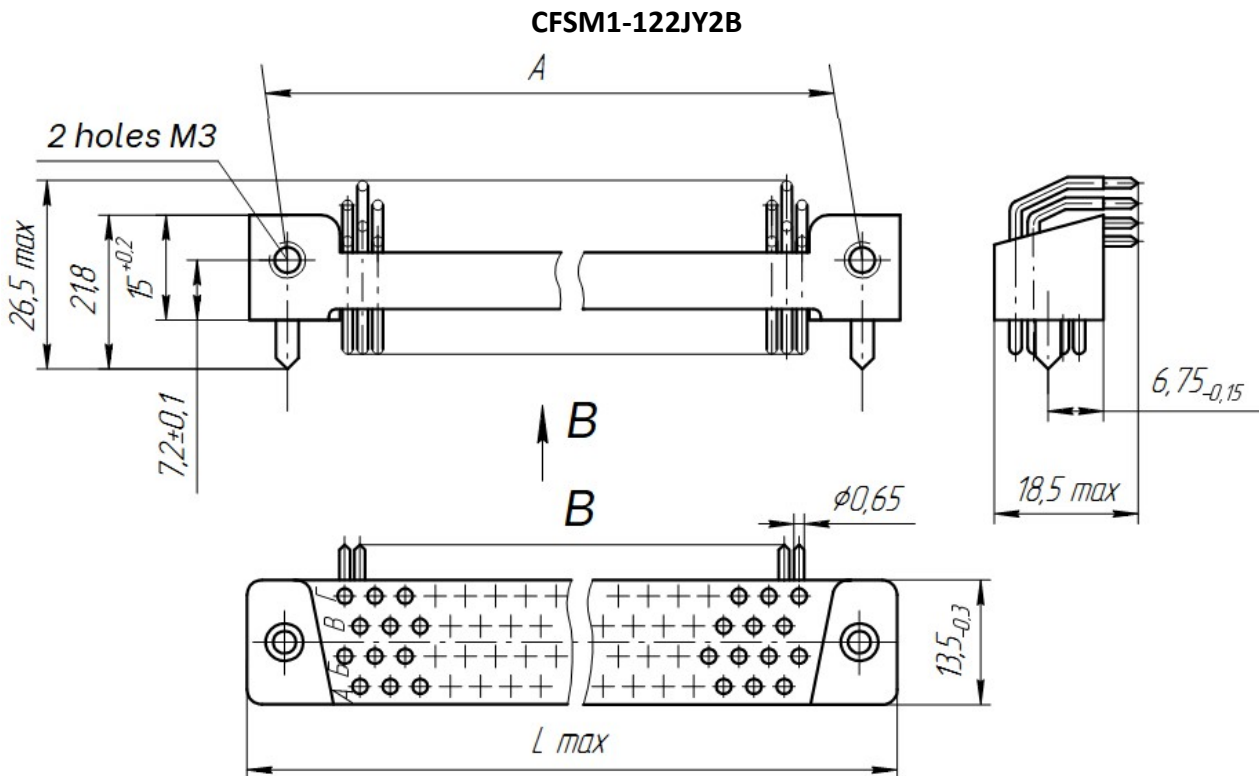
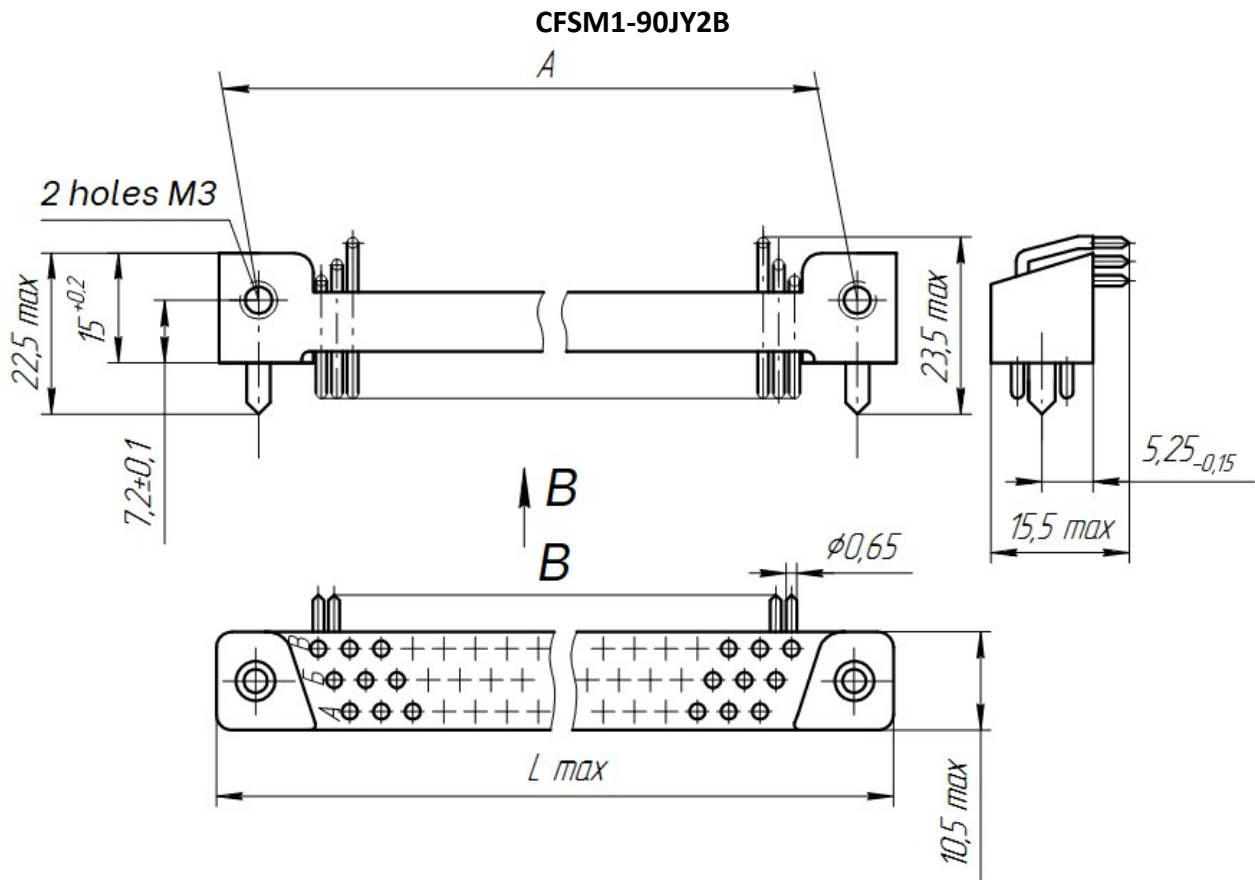
Dimensions

Plugs, CFM1*JY2B

CFM1-31JY2B, CFM1-45JY2B, CFM1-61JY2B

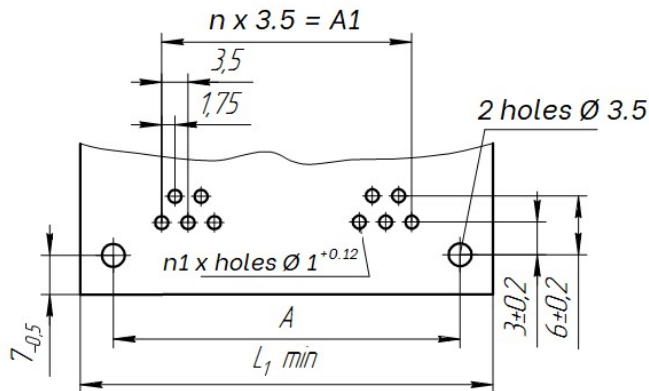


Number of Contacts	A	A1	L Max	L1
31	68	52.5	78	77.6
45	92	77	102	101.6
61	120	105	130	129.6

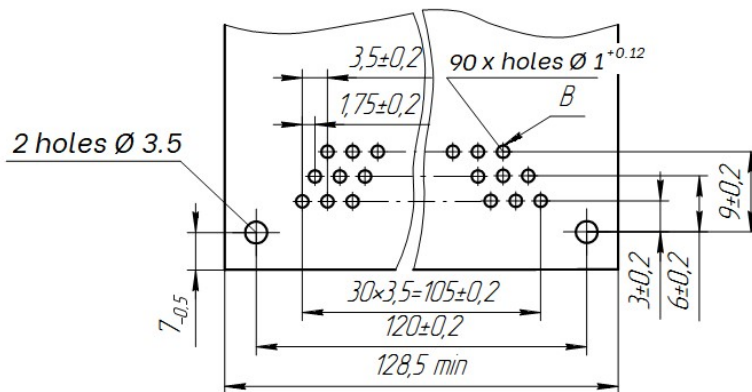


Number of Contacts	A	A1	L Max	L1
90	120	105	128.5	128.5
122	120	105	128.5	128.5

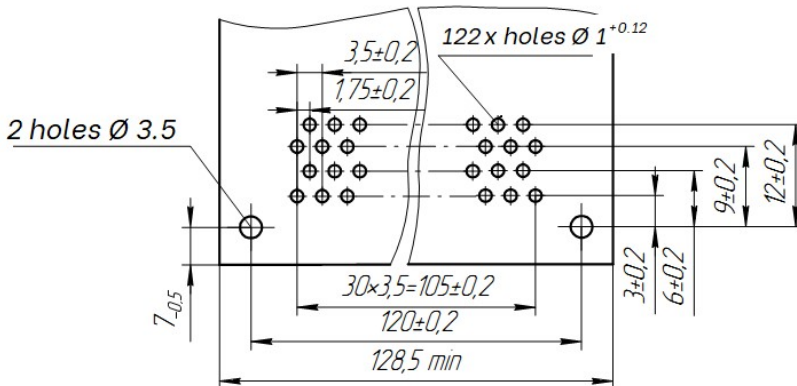
Printed circuit board drilling for Plugs



for Plugs CFSM1-31JY2B,
CFSM1-45JY2B,
CFSM1-61JY2B

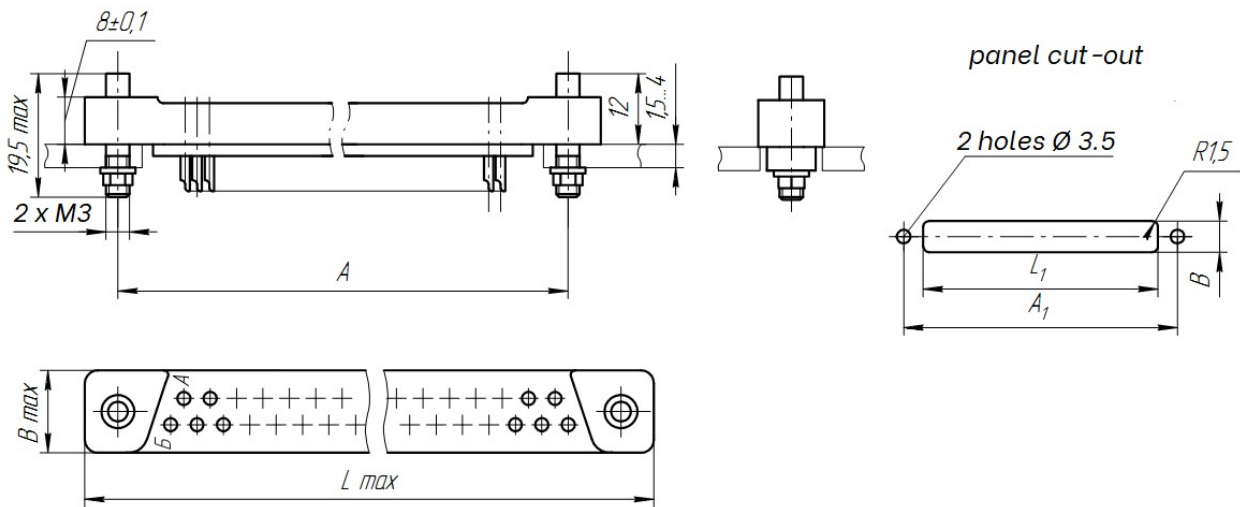


for Plugs CFSM1-90JY2B



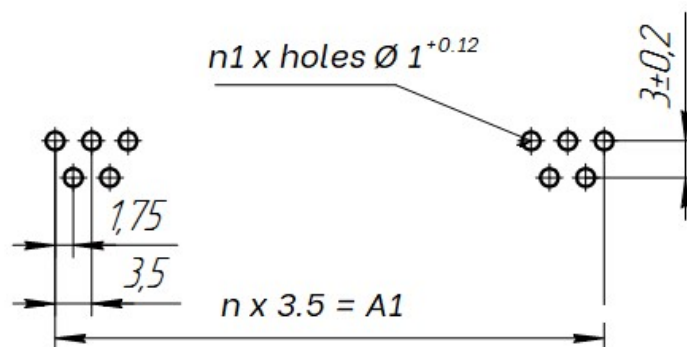
for Plugs CFSM1-122JY2B

Receptacles, CFM1*KO2B



Number of Contacts	L Max	L1	B	B Max	A	A1
31	78	60	7.8	9	68	68
45	102	84	7.8	9	92	92
61	130	112	7.8	9	120	120
90	130	112	10.8	12	120	120
122	130	112	13.8	15	120	120

Printed circuit board drilling for Receptacles CFM1*KP2B



Number of Contacts	A1	n	n1
31	52.5	15	31
45	77	22	45
61	105	30	61
90	105	30	90
122	105	30	122

CFSMW1 series

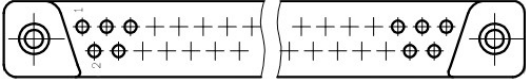
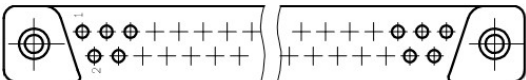
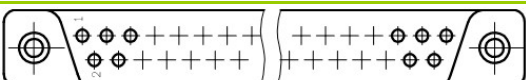
Technical features

Description	Values
Operating temperature	up -60°C to +85°C
Vibration	1 ~ 4000 HZ, 30 g
Relative humidity	98% at 35 °C (without condensation)
Max current rating per contact	1.5 A
Working voltage	≤ 250 V
Contact resistance	≤ 8 mΩ
Insulation resistance	≥ 1000 MΩ
Durability	1000 cycles
Technical specification	KeO.364.006 TU

Ordering information

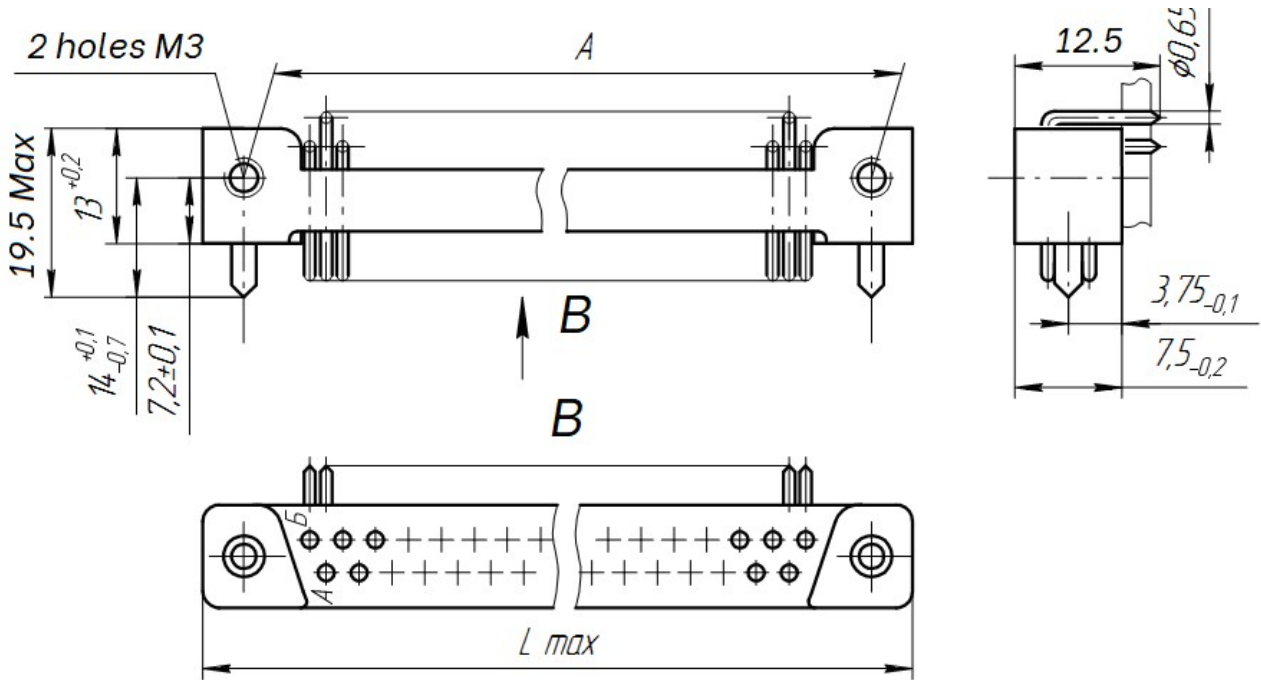
Basic series	CFSMW1	-31	J	Y	2	B
Number of contacts: 31, 45, 61						
Contact Type:						
J: Male for Plug, only						
K: Female for Receptacle, only						
Termination Type:						
Y: Right-Angle Board-Mount, for Plug, only						
H: Straight Board-Mount, for Receptacle, only						
O: Solder cup, for Receptacle, only						
Contact plating:						
2: Silver						
Climate version:						
B: all-weather						

Contact layouts

Contact Layouts	Number of Rows	Number of Contacts
	2	31
	2	45
	2	61

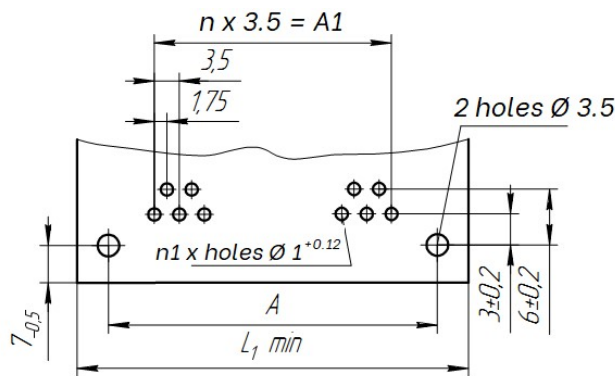
Dimensions

Plugs, CFSMW1*JY2B



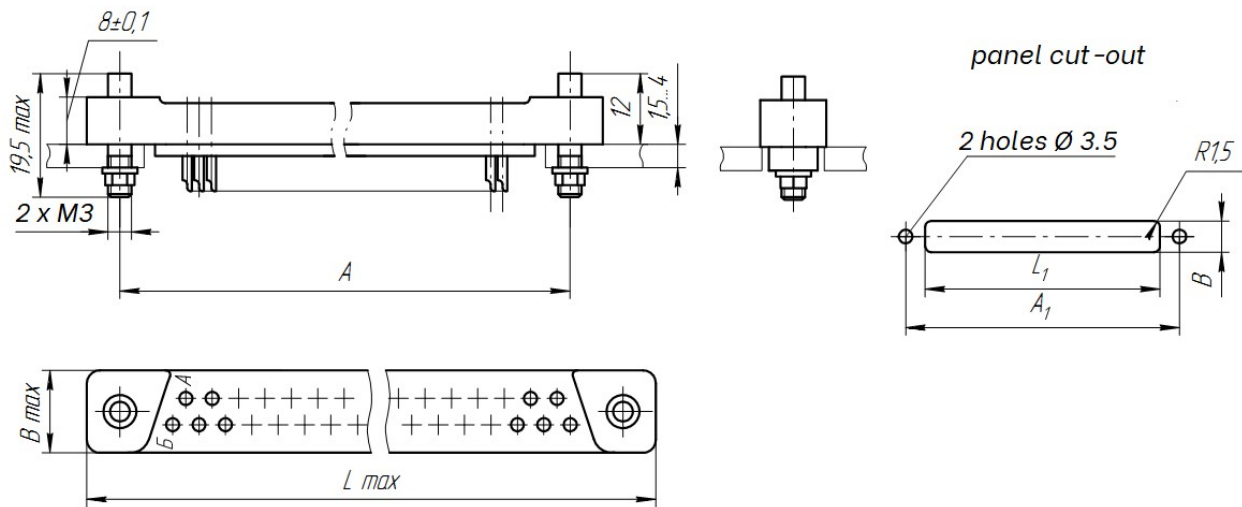
Number of Contacts	A	A1	L Max	L1
31	68	52.5	78	77.6
45	92	77	102	101.6
61	120	105	130	129.6

Printed circuit board drilling for Plugs CFSMW1*JY2B



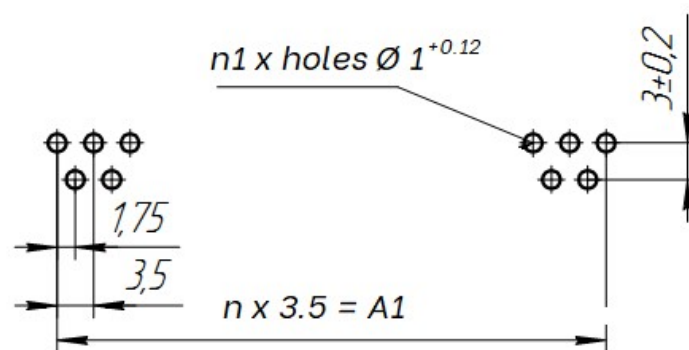
Number of Contacts	A1	n	n1
31	52.5	15	31
45	77	22	45
61	105	30	61

Receptacles, CFSMW1*KO2B



Number of Contacts	L Max	L1	B	B Max	A	A1
31	78	60	7.8	9	68	68
45	102	84	7.8	9	92	92
61	130	112	7.8	9	120	120

Printed circuit board drilling for Receptacles CFSMW1*KP2B



Number of Contacts	A1	n	n1
31	52.5	15	31
45	77	22	45
61	105	30	61

CÔNG TY TNHH RỒNG VÀNG TECHNOLOGY

**Địa chỉ: 48/5 Vĩnh Xuân, Phường Vĩnh thái,
Thành Phố Nha Trang, Tỉnh Khánh Hòa**

SĐT: +84 79.219.2707

www.rong-vang-technology.vn

www.rong-vang-technology.vn