

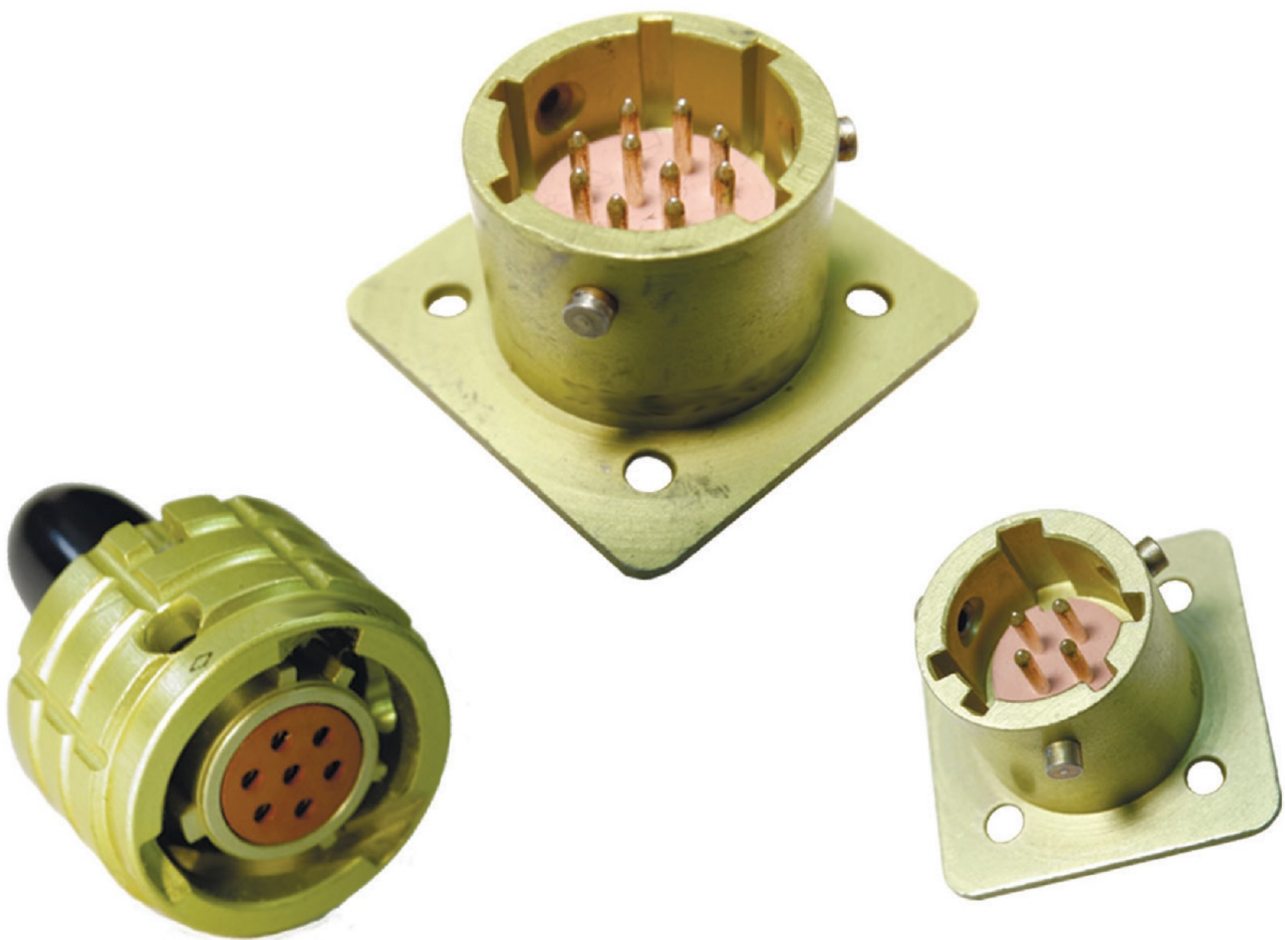


**RỒNG VÀNG  
TECHNOLOGY**



**Ultra-Small Electrical Connector  
OHS-BC-1(2) series  
substitutes of Russian ONTs-BS-1(2)**

[www.rong-vang-technology.vn](http://www.rong-vang-technology.vn)



## Description

Connectors of OHS-BC-1(2) type (plugs and receptacles) are designed for use in DC and AC circuits (up to 3 MHz) with voltage up to 250 V (amplitude value)

These connectors consist of two parts: Plug (female contacts only) and Hermetic Square flange Receptacle (male contacts only) and have multi key positioned (1 – 20) of shell polarization (protecting from misconnection of same contact layout connectors)

Bayonet coupling system

Square flange receptacle are manufactured without end accessories, Plugs are manufactured with straight plastic backshells

Contact:  $\varnothing$  1 mm

Contact material:

- ONS-BC-2 – Gold over Copper alloy;
- ONS-BC-1 – Silver over Copper alloy;

These connectors are manufactured for inner mounting for all climates in accordance with the technical conditions bRO.364.030 TU



## Technical features

Description	Values
Contact Resistance	≤ 5mΩ
Insulation resistance	≥ 1000 MΩ (Under normal conditions)
Operating temperature	up - 60°C to 85°C
1 bar differential pressure, leakage	≤ 0.3 l/h
Vibration	up to 5000 HZ at 20g
Impact	1000 g (once); 100 g (multiple times);
Contact diameter	∅ 1.0 mm
Durability	250 cycles
Operating hours	5000 hours
Guarantee period	15 years
Technical conditions	bR0.364.030 TU

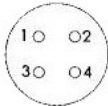

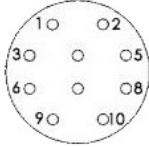
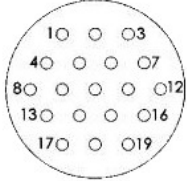
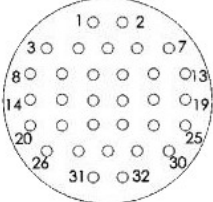
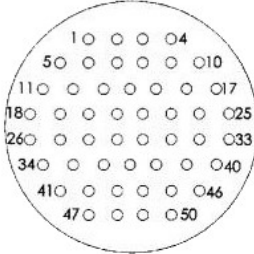
## Electrical

Shell number	Number of contacts	Max current Rating per contact (A)	Total current (A)	Operating Voltage (V)
10	4	3.7	15	250
12	7	3.1	22	250
14	10	3.0	30	250
18	19	2.1	40	250
22	32	1.8	60	250
27	50	1.5	75	250

## Ordering information

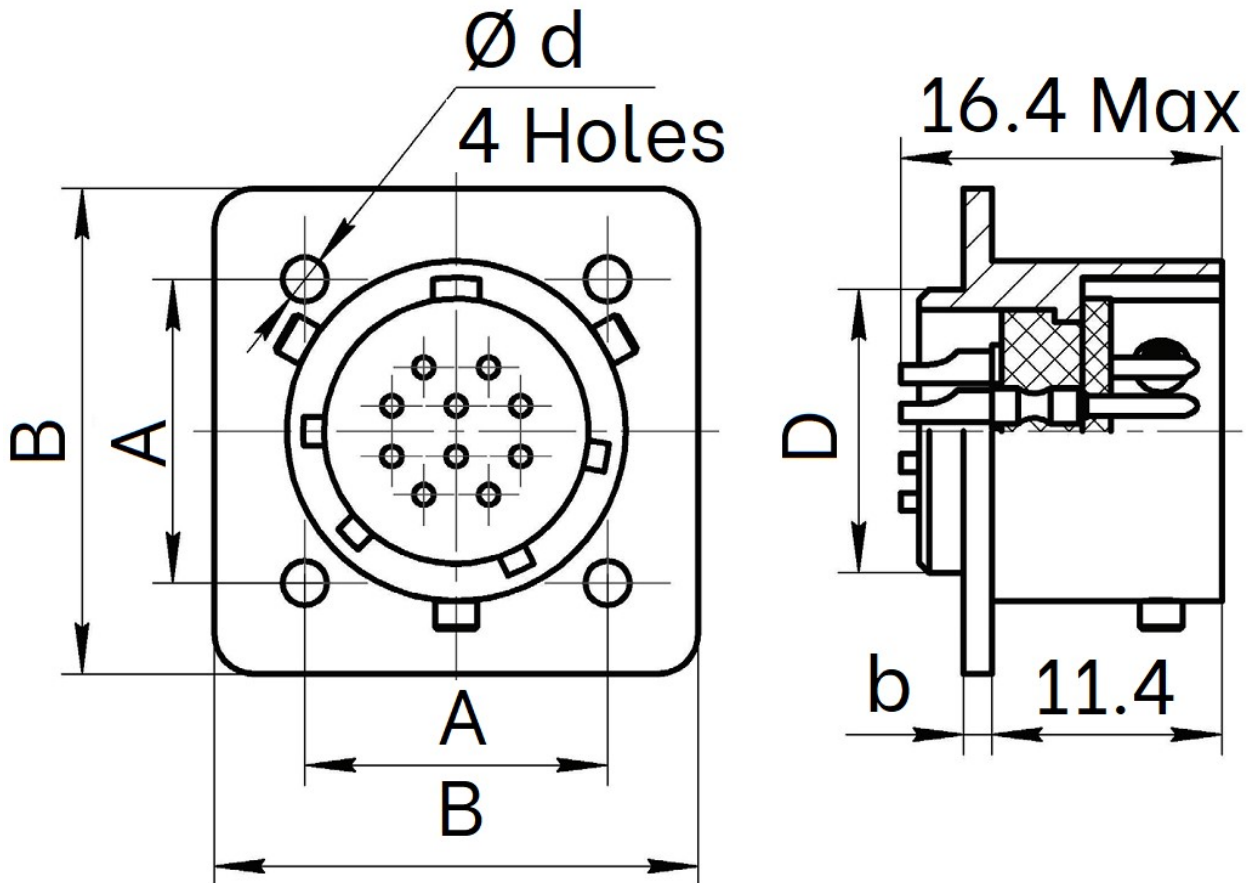
Basic series	OHS-BC	-1	-4	/10	B(P)	1	-1	-B
Contact plating:								
1: Silver								
2: Gold								
Number of contacts: 4, 7, 10, 19, 32, 50								
Shell size: 10, 12, 14, 18, 22, 27								
Contact Type:								
B: Pin for Square flange receptacle only								
P: Socket for Plugs only								
Connector Types & End Accessories:								
1: Square flange receptacle without backshell								
12: Plug with straight plastic backshell								
Orientation: 1 – 20								
All weather (Obligatory suffix)								

## Contact layouts

Number of contacts	4	7	10	19
Shell size	10	12	14	18
				
Number of contacts	32		50	
Shell size	22		27	
				

## Dimensions

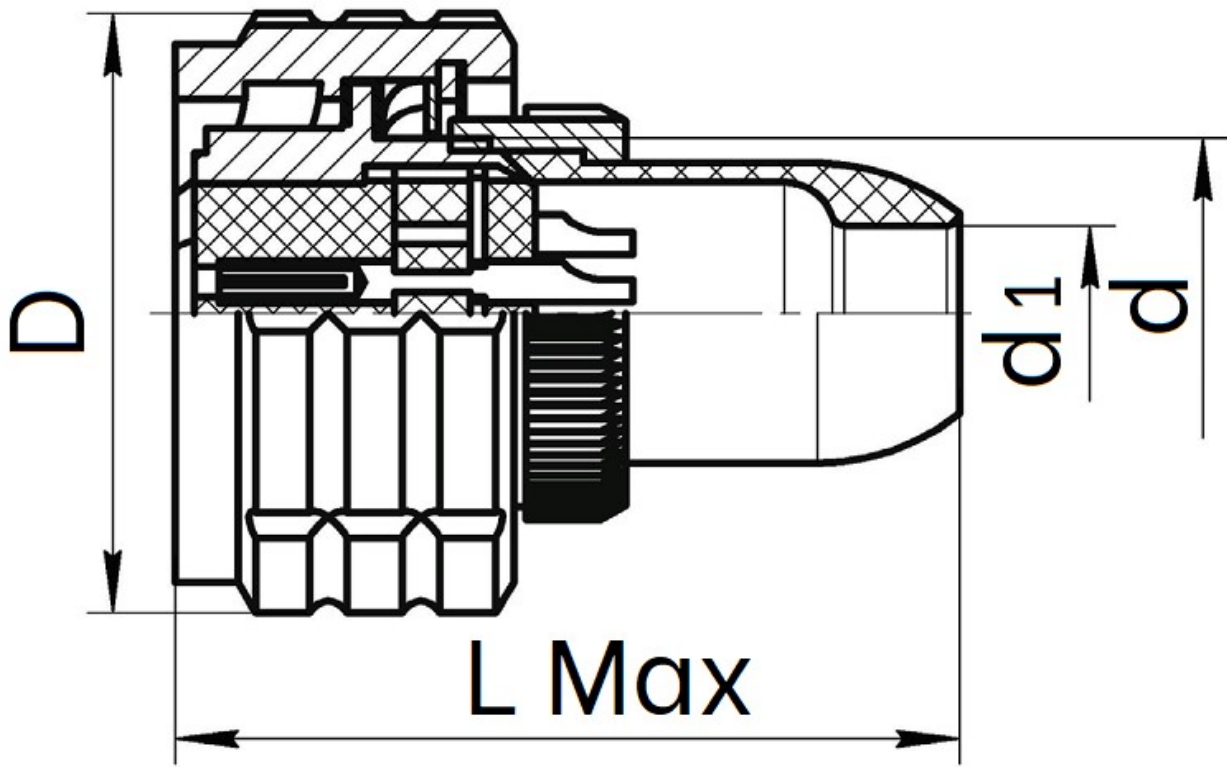
Square flange receptacles without backshell



Shell size	$\varnothing D$	A	B	$\varnothing d$	b
10	10	11,8	20	2,2	1,4
12	12	13,2	21	2,2	1,4
14	14	15	24	2,2	1,4
18	18	18	27	2,2	1,4
22	22	21,5	31	2,7	1,8
27	27	26	36	3,2	2



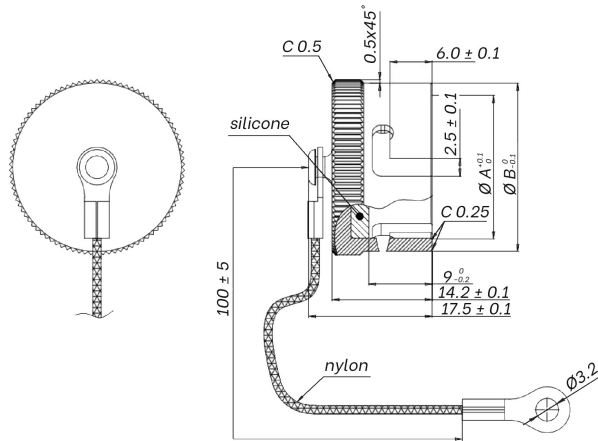
Plugs with straight plastic backshell



Shell size	$\varnothing D$	d	$\varnothing d_1$	L Max
10	20	M10x0,75	4,5	30
12	21	M12x0,75	6	31
14	24	M14x0,75	7	32
18	27	M18x0,75	9,2	33
22	31	M22x0,75	11	34
27	36	M27x0,75	13	36

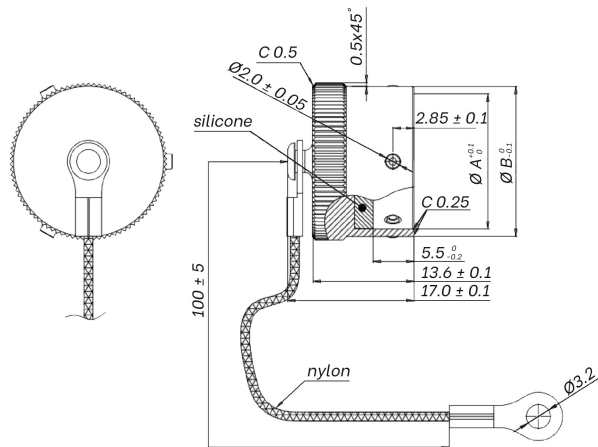
# Dimensions

## Caps for Receptacles



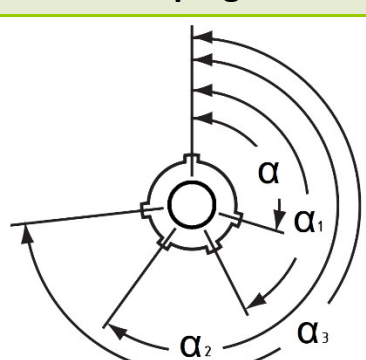
Shell size	$\varnothing A$	$\varnothing B$
EP-OHS-10	13.60	17.20
EP-OHS-12	15.00	19.00
EP-OHS-14	17.05	20.60
EP-OHS-18	20.30	23.80
EP-OHS-22	24.30	27.80
EP-OHS-27	29.30	33.80

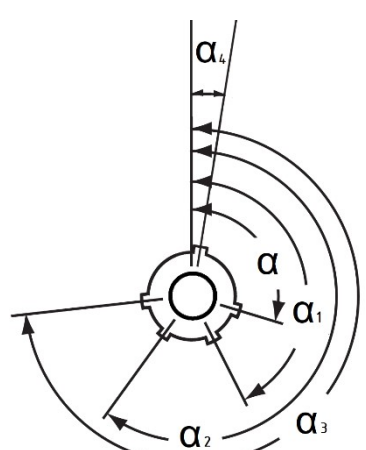
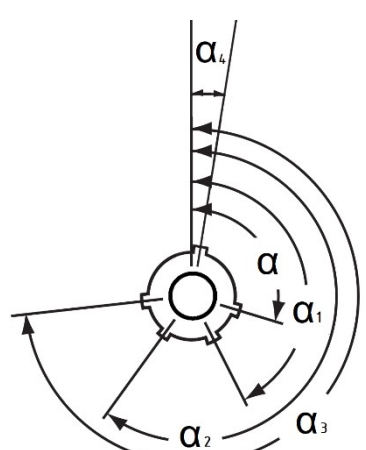
## Caps for Plugs



Shell size	$\varnothing A$	$\varnothing B$
EK-OHS-10	11.50	13.30
EK-OHS-12	13.00	14.80
EK-OHS-14	14.90	16.80
EK-OHS-18	18.20	20.00
EK-OHS-22	22.20	24.00
EK-OHS-27	27.20	29.00

### Orientations

Shell size	Viewed from front face of plug	orientation angle codes	Angle in degrees			
			$\alpha$	$\alpha_1$	$\alpha_2$	$\alpha_3$
10, 12		1	105°	140°	215°	260°
14, 18, 22, 27		1	90°	135°	205°	260°
		2	105°	140°	215°	260°
		3	115°	145°	210°	250°

Shell size	Viewed from front face of plug	orientation angle codes	Angle in degrees						
			$\alpha$	$\alpha_1$	$\alpha_2$	$\alpha_3$	$\alpha_4$		
22, 27		4					11°		
		5	90°	135°	205°	260°	338°		
		6					349°		
		7					11°		
		8	105°	140°	215°	260°	22°		
		9					349°		
		10					11°		
		11					338°		
		12	115°	145°	210°	250°	349°		
		13					22°		
		27		14	105°	140°	215°	260°	329°
				15					11°
16							22°		
17							329°		
18	97°			140°	205°	255°	338°		
19							349°		
20							360°		





## Cross reference list

### Square flange receptacles without backshell

Russian Part No.	ALLCONN Part No.
ОНЦ-БС-1-4/10-B1-1-B	OHS-BC-1-4/10-B1-1-B
ОНЦ-БС-1-7/12-B1-1-B	OHS-BC-1-7/12-B1-1-B
ОНЦ-БС-1-10/14-B1-1-B	OHS-BC-1-10/14-B1-1-B
ОНЦ-БС-1-19/18-B1-1-B	OHS-BC-1-19/18-B1-1-B
ОНЦ-БС-1-32/22-B1-1-B	OHS-BC-1-32/22-B1-1-B
ОНЦ-БС-1-50/27-B1-1-B	OHS-BC-1-50/27-B1-1-B

### Plugs with straight plastic backshells

Russian Part No.	ALLCONN Part No.
ОНЦ-БС-1-4/10-P12-1-B	OHS-BC-1-4/10-P12-1-B
ОНЦ-БС-1-7/12-P12-1-B	OHS-BC-1-7/12-P12-1-B
ОНЦ-БС-1-10/14-P12-1-B	OHS-BC-1-10/14-P12-1-B
ОНЦ-БС-1-19/18-P12-1-B	OHS-BC-1-19/18-P12-1-B
ОНЦ-БС-1-32/22-P12-1-B	OHS-BC-1-32/22-P12-1-B
ОНЦ-БС-1-50/27-P12-1-B	OHS-BC-1-50/27-P12-1-B

### Caps for Receptacles

Russian Part No.	ALLCONN Part No.
ЭП-ОНЦ-10	EP-OHS-10
ЭП-ОНЦ-12	EP-OHS-12
ЭП-ОНЦ-14	EP-OHS-14
ЭП-ОНЦ-18	EP-OHS-18
ЭП-ОНЦ-22	EP-OHS-22
ЭП-ОНЦ-27	EP-OHS-27

### Caps for Plugs

Russian Part No.	ALLCONN Part No.
ЭК-ОНЦ-10	EK-OHS-10
ЭК-ОНЦ-12	EK-OHS-12
ЭК-ОНЦ-14	EK-OHS-14
ЭК-ОНЦ-18	EK-OHS-18
ЭК-ОНЦ-22	EK-OHS-22
ЭК-ОНЦ-27	EK-OHS-27

**CÔNG TY TNHH RỒNG VÀNG TECHNOLOGY**

**Địa chỉ: 48/5 Vĩnh Xuân, Phường Vĩnh thái,  
Thành Phố Nha Trang, Tỉnh Khánh Hòa**

**SĐT: +84 79.219.2707**

**[www.rong-vang-technology.vn](http://www.rong-vang-technology.vn)**

**[www.rong-vang-technology.vn](http://www.rong-vang-technology.vn)**